

7983339COM Queen Size Wall Bed

Mr. Kate®

Date of Purchase ___ / ___ / ___
Lot Number:

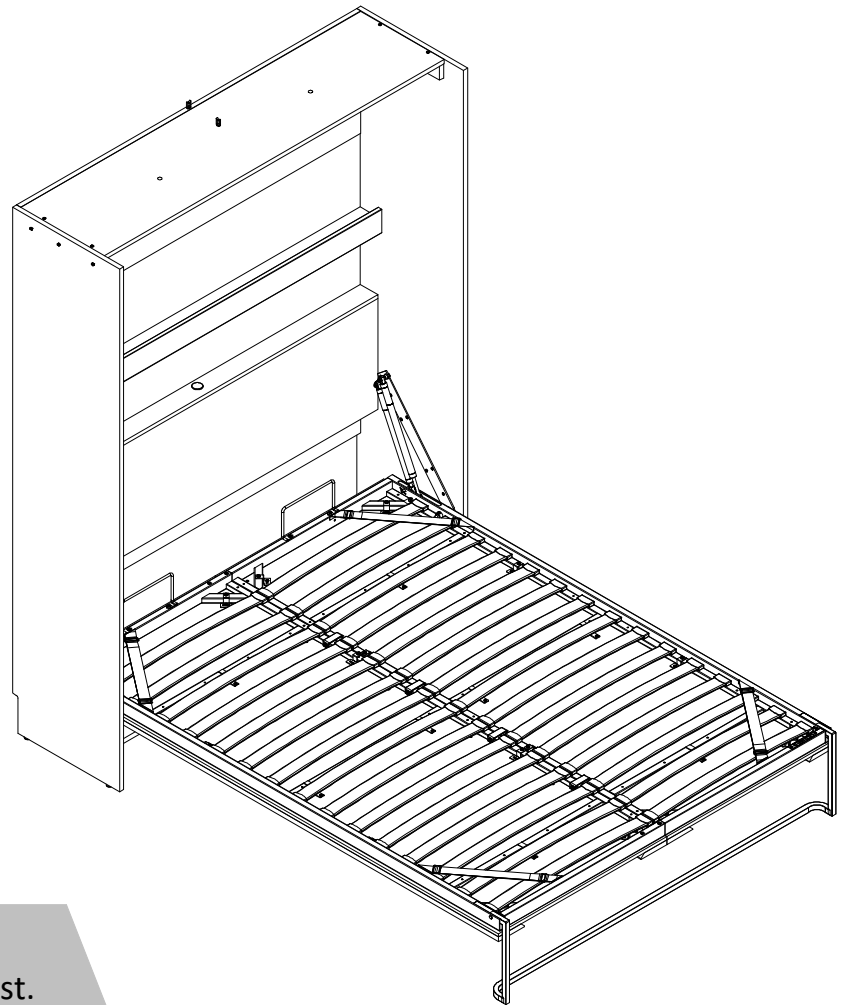
B347983339COM0

WARNING:

* WARNING FOR YOUNG CHILDREN -

This product contains small components, please ensure that they are kept away from small children. Children under the age of 6, small infants and babies must not sleep on this bed for safety reasons. To prevent injury and damage to this unit, PROHIBIT jumping on it.

* This product is designed for home use and not intended for commercial use.



Do Not Return This Product!

Contact our customer service team for help first.

Call: 1-800-489-3351 (toll free)

Visit: www.ameriwoodhome.com

THIS INSTRUCTION BOOKLET CONTAINS **IMPORTANT** SAFETY INFORMATION. PLEASE READ AND KEEP FOR FUTURE REFERENCE.

**Professional installation is
required for this unit.**



WARNING

- Unit can tip over causing severe injury or death.
- Anchor unit to stud in wall
- Do Not allow children to climb on unit



Easy Professional
Assembly Difficulty Meter

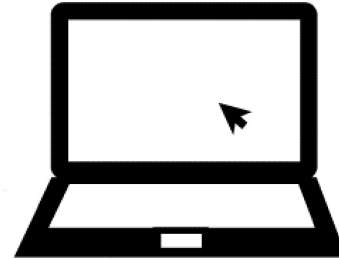
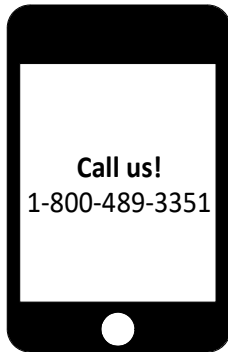
Follow Ameriwood Home



Contact Us!

Do NOT return this product!

Contact our friendly customer service team first for help.



Visit ameriwoodhome.com to view the limited warranty valid in the U.S. and Canada.

Helpful Hints

- Open your item in the area you plan to keep it to avoid excessive heavy lifting.



- Identify, sort and count the parts before attempting assembly.



- Make sure to always face the point on the top of the Cam Lock towards the outer edge.

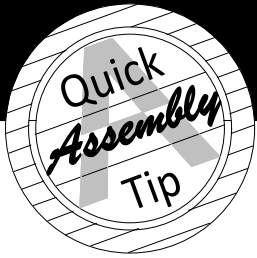


- Do NOT use harsh chemicals or abrasive cleaners on this item.



- Never push, pull, or drag your furniture.



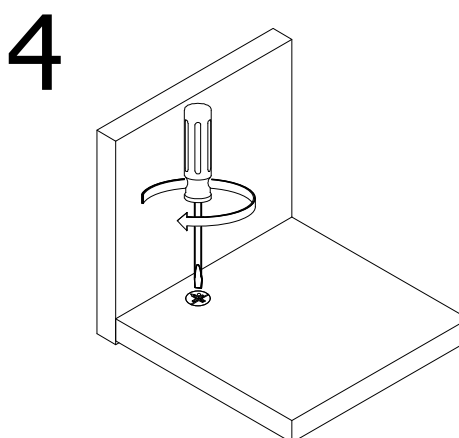
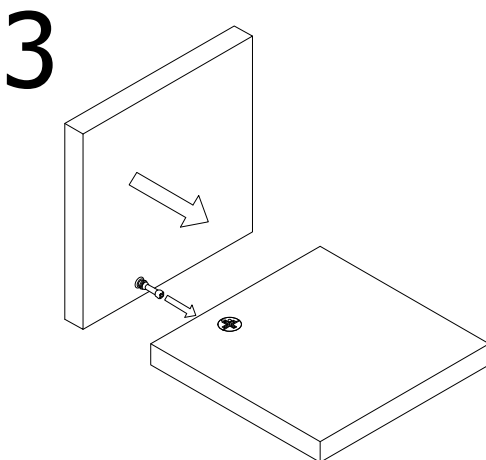
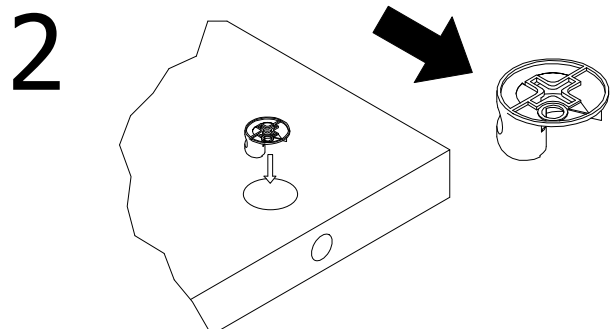
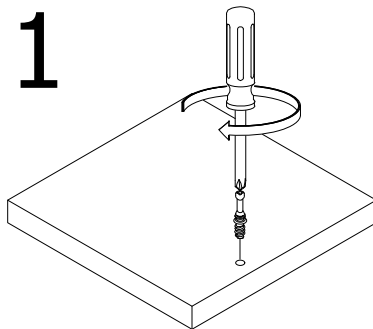


Before You Start

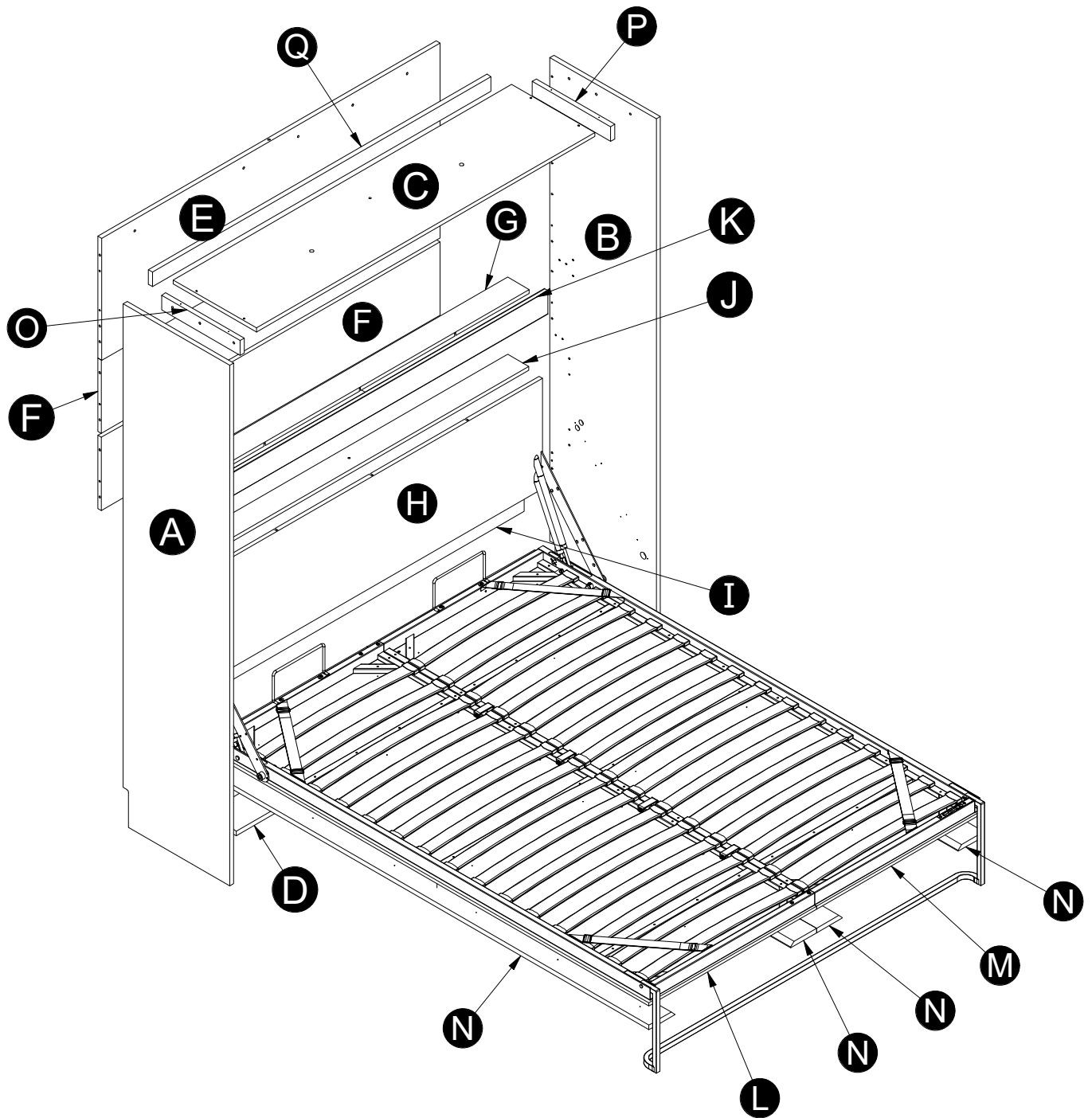
- ✓ Read through each step carefully and follow the proper order
- ✓ Separate and count all your parts and hardware
Parts are labeled on the surface or edge of the part
- ✓ Give yourself enough room for the assembly process
- ✓ Have the following tools: #2 Phillips Head Screwdriver, Hammer, Level, Stud Finder, Pencil, Step Ladder, Rubber Mallet and a Drill with 1/8" and 1/4" bits
- ✓ **Caution:** If using a power drill or power screwdriver for screwing, please be aware to slow down and stop when screw is tight. Reduce torque setting to a lower level so the drill will skip when the screw is tight. Failure to do so may result in stripping the screw.

Cam Lock Fastening System

This Cam Lock Fastening System will be used throughout the assembly process.



Board Identification



Board Identification

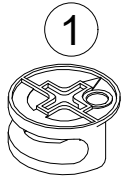
Parts List			
ITEM	QTY	PART NUMBER	DESCRIPTION
A	1	37983339010	LEFT PANEL
B	1	37983339020	RIGHT PANEL
C	1	37983339030	TOP
D	1	37983339040	BOTTOM
E	1	37983339050	UPPER BACK PANEL
F	2	37983339060	CENTER BACK PANEL
G	1	37983339070	UPPER SHELF
H	1	37983339080	HEADBOARD PANEL
I	1	37983339090	BOTTOM STRINGER
J	1	37983339100	LOWER SHELF
K	1	37983339110	SHELF RAIL
L	1	37983339120	LEFT DOOR PANEL
M	1	37983339130	RIGHT DOOR PANEL
N	4	37983339140	VERTICAL DOOR MOLDING
O	1	37983339150	LEFT SIDE RAIL
P	1	37983339160	RIGHT SIDE RAIL
Q	1	37983339170	REAR RAIL

Note that your unit may contain extra hardware

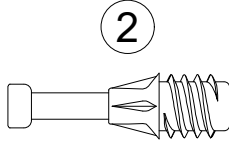


Part List

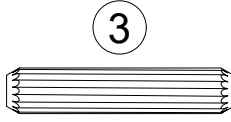
Actual Size



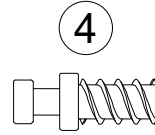
(x26)
#A22620
cam lock



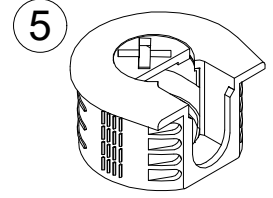
(x26)
#A22610
cam bolt



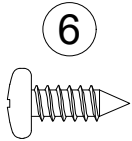
(x28)
#A21660
wood dowel



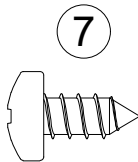
(x6)
#A22910
connector bolt



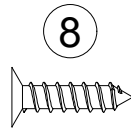
(x6)
#A22920
connector



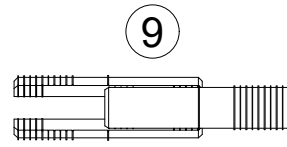
(x32)
#A14220
#10 x 1/2" pan



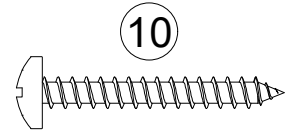
(x8)
#A15520
#14 x 1/2" pan



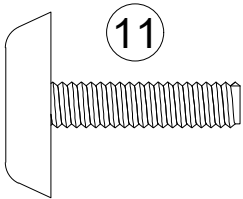
(x16)
#A12400
#8x5/8" flat head



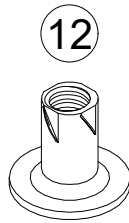
(x12)
#A21980
face connector



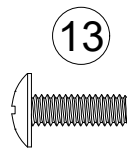
(x4)
#A13020
#8x1-1/4" pan head



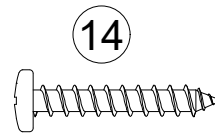
(x4)
#A43020
glide



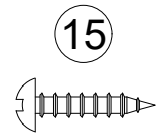
(x4)
#A20330
nut



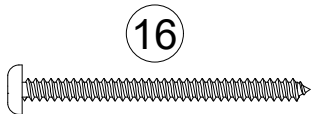
(x1)
#A17200
1/2" truss



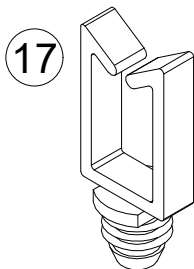
(x24)
#A12810
#8 x 1" pan



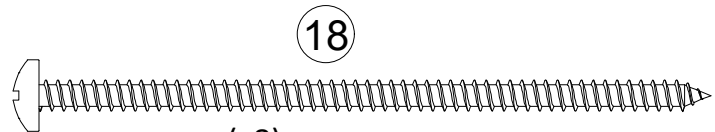
(x2)
#A11170
#6x 5/8" pan head



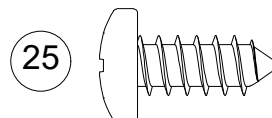
(x2)
#A11800
#6 x 1-1/2" pan



(x2)
#A81090
wire saddle



(x8)
#A13950
#8x3-1/2" pan head



(x8)
#A15550
5/16" x 3/4" pan

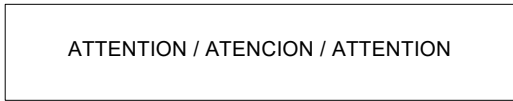
Note that your unit may contain extra hardware



Part List

Actual Size

19



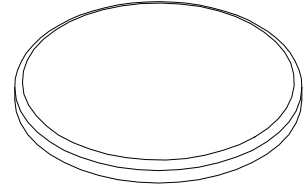
(x1)
#B64481
warning label

20

shown on pages
32 & 33

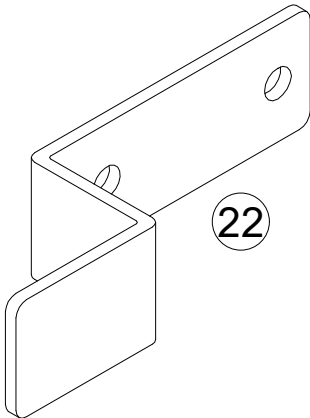
(x1)
A99570
dual LED light kit

21



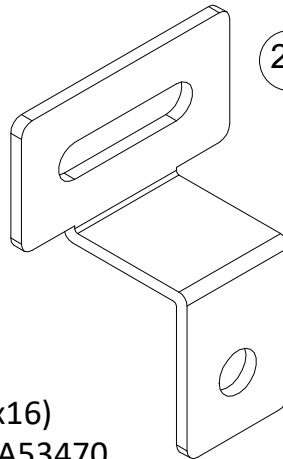
(x1)
A81340
touch sensor disk

22



(x8)
#A53460
bracket

23



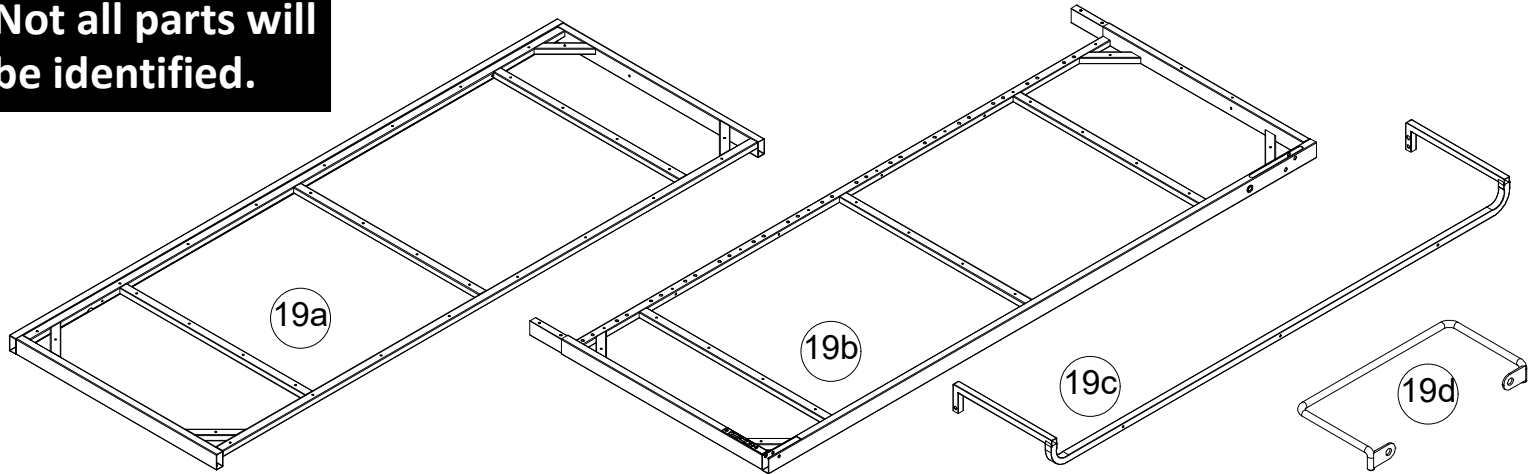
(x16)
#A53470
bracket



Bed Frame Identification

Not Actual Size

Note:
Not all parts will
be identified.

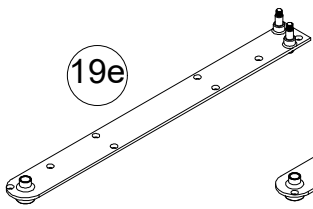


Left Assembly
9632096-19a

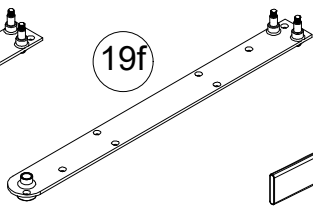
Right Assembly
9632096-19b

Leg
9632096-19c

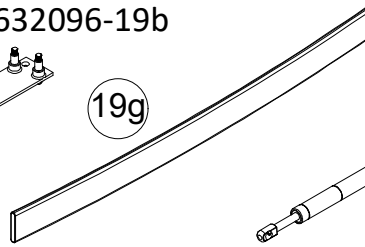
Mattress Holder (2)
9632096-19d



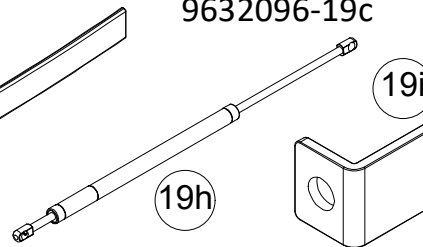
Left Pivot Arm
9632096-19e



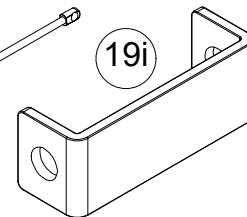
Right Pivot Arm
9632096-19f



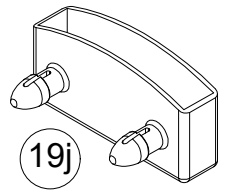
Wood Slat (30)
9632096-19g



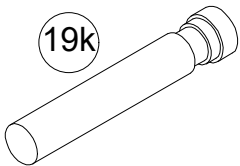
Gas Piston (4)
9632096-19h



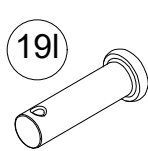
U-Bracket (4)
9632096-19i



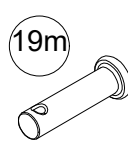
Plastic Cap (60)
9632096-19j



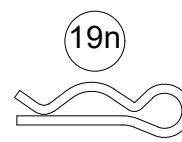
Pivot Pin (2)
9632096-19k



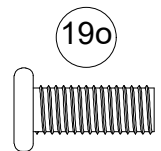
Large Clevis Pin (4)
9632096-19l



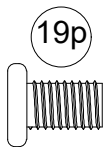
Small Clevis Pin (2)
9632096-19m



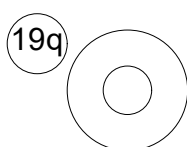
Cotter Pin (6)
9632096-19n



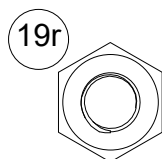
M6 x 16mm Bolt (12)
9632096-19o



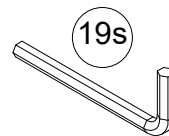
M6 x 10mm Bolt (6)
9632096-19p



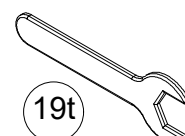
Washer (8)
9632096-19q



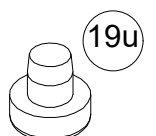
Hex Nut (4)
9632096-19r



4mm Hex Key
9632096-19s



Wrench
9632096-19t



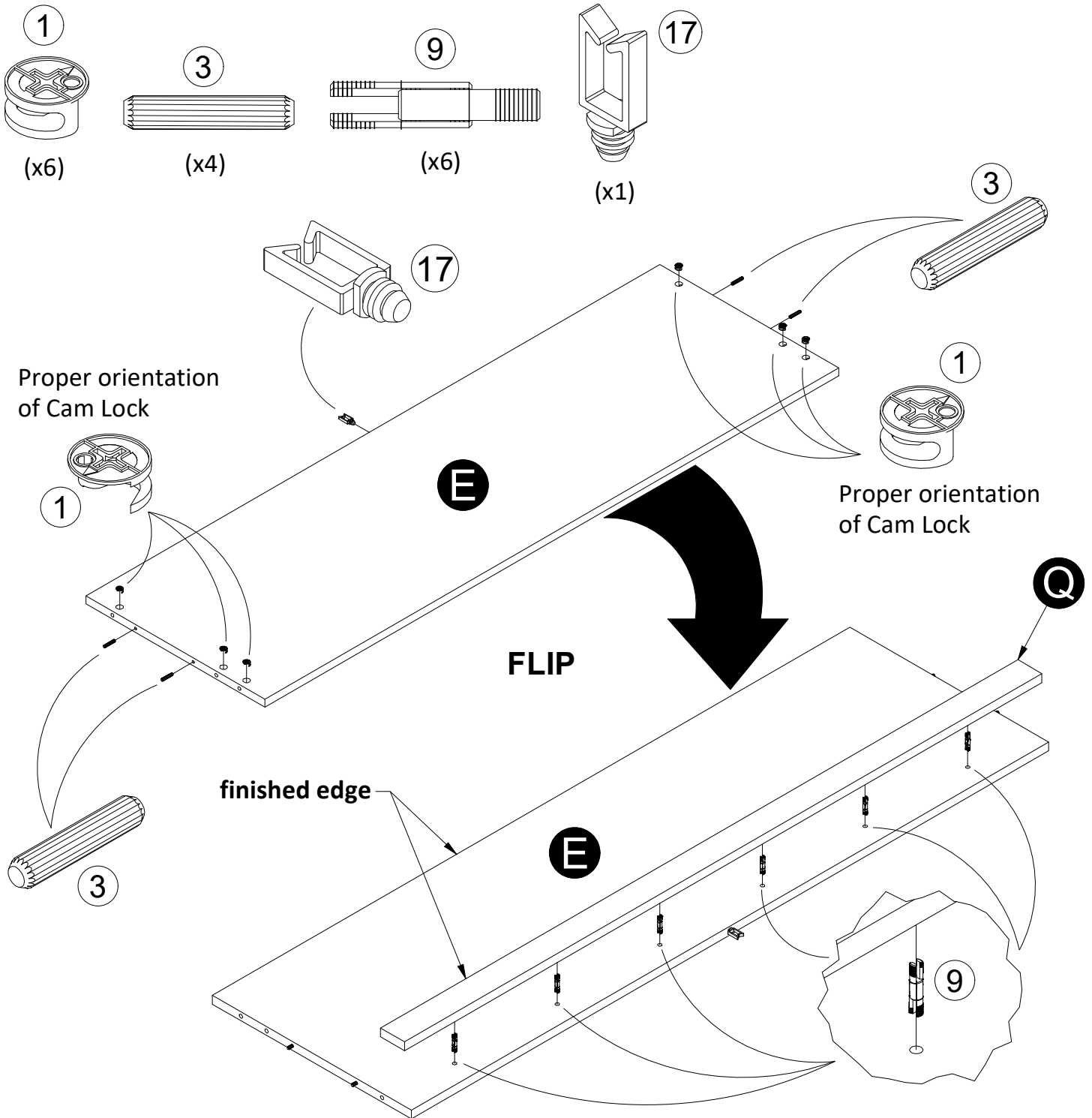
Rubber Foot (3)
9632096-19u

VERY IMPORTANT INFORMATION!



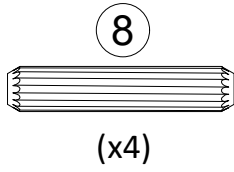
Caution: Failure to use 2 professionals for this assembly could result in unit damage or personal injury.

STEP 1

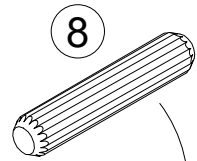


Press in face connector (9) into the holes in the Upper Back Panel (E) then engage the other end of the face connectors (9) into the holes in the Rear Rail (Q). Press the two parts together to lock together. **Please note: the parts will be loose in the holes until you press both parts together. At that point, the ends will compress to give a tight fit.**

STEP 2



x2

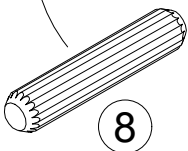
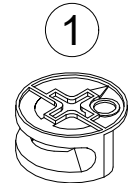


Proper orientation
of Cam Lock

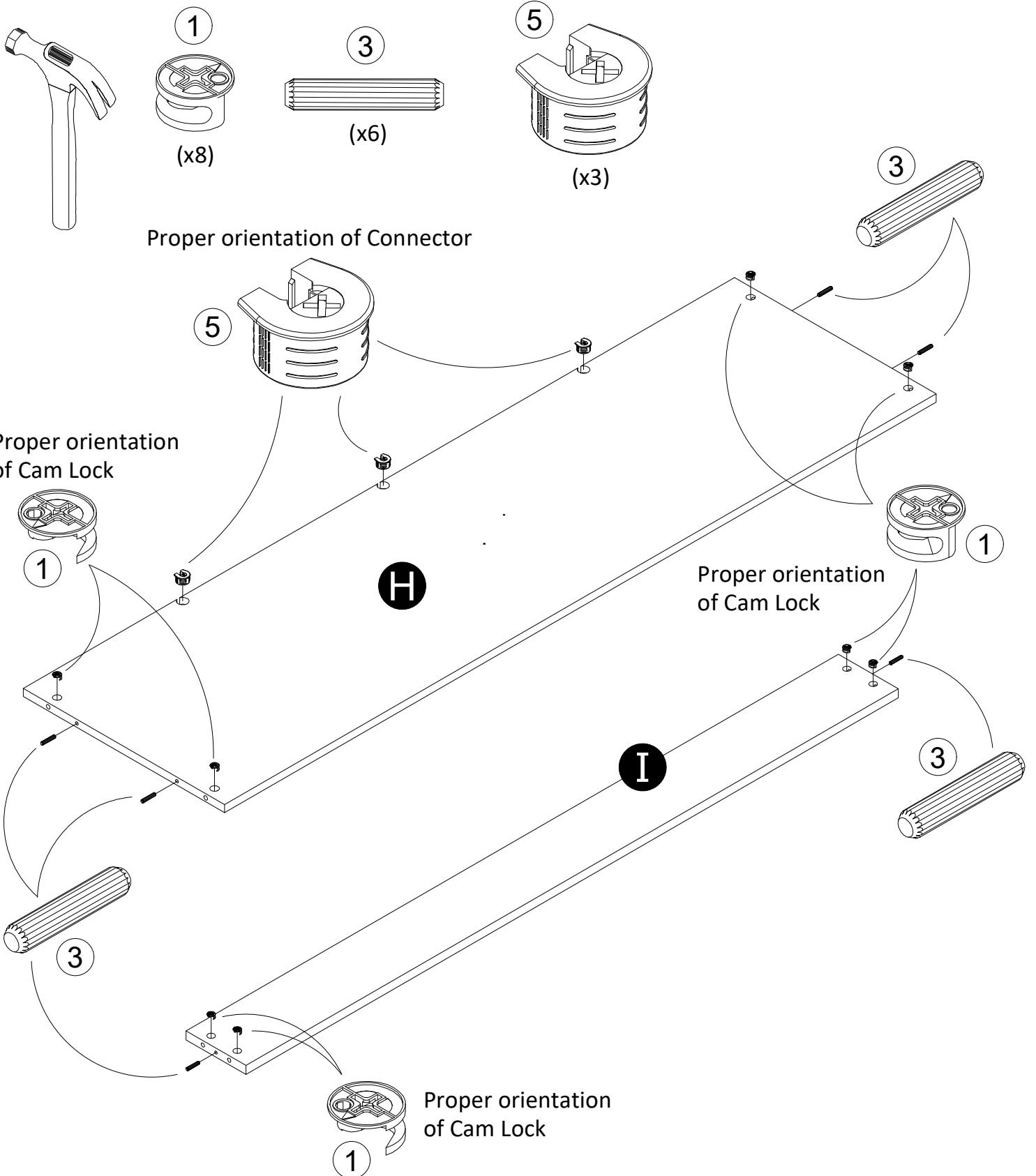


F

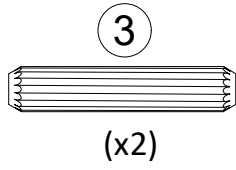
Proper orientation
of Cam Lock



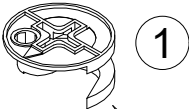
STEP 3



STEP 4



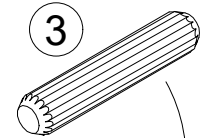
Proper orientation
of Cam Lock



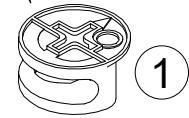
1

D

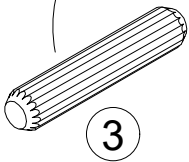
Proper orientation
of Cam Lock



3

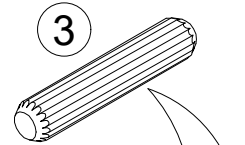
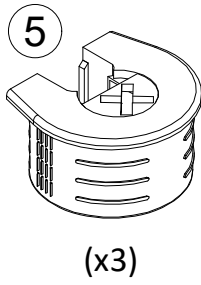
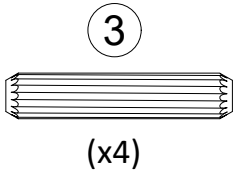
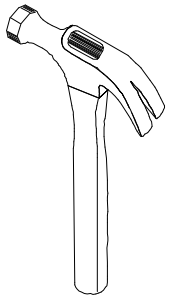


1

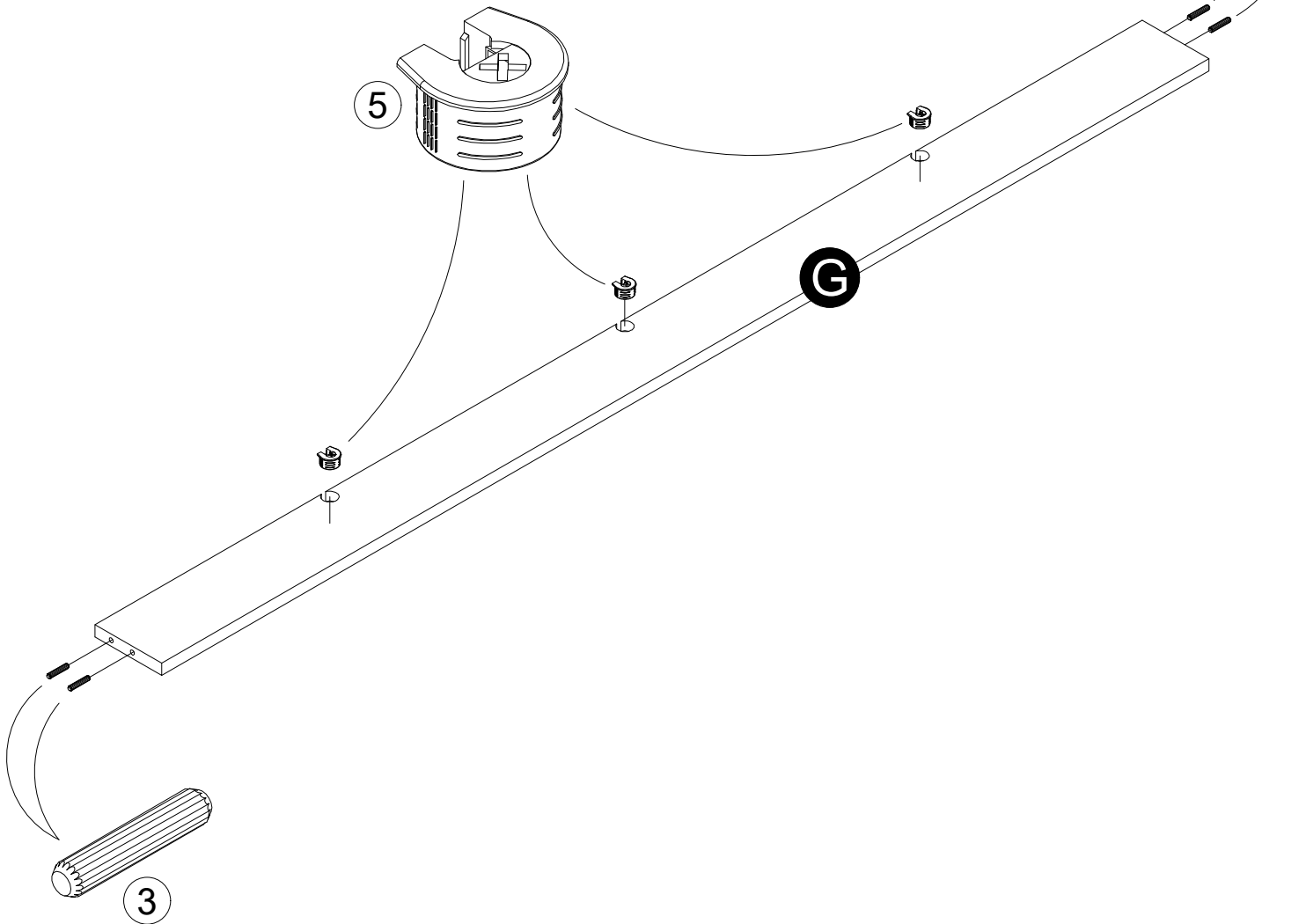


3

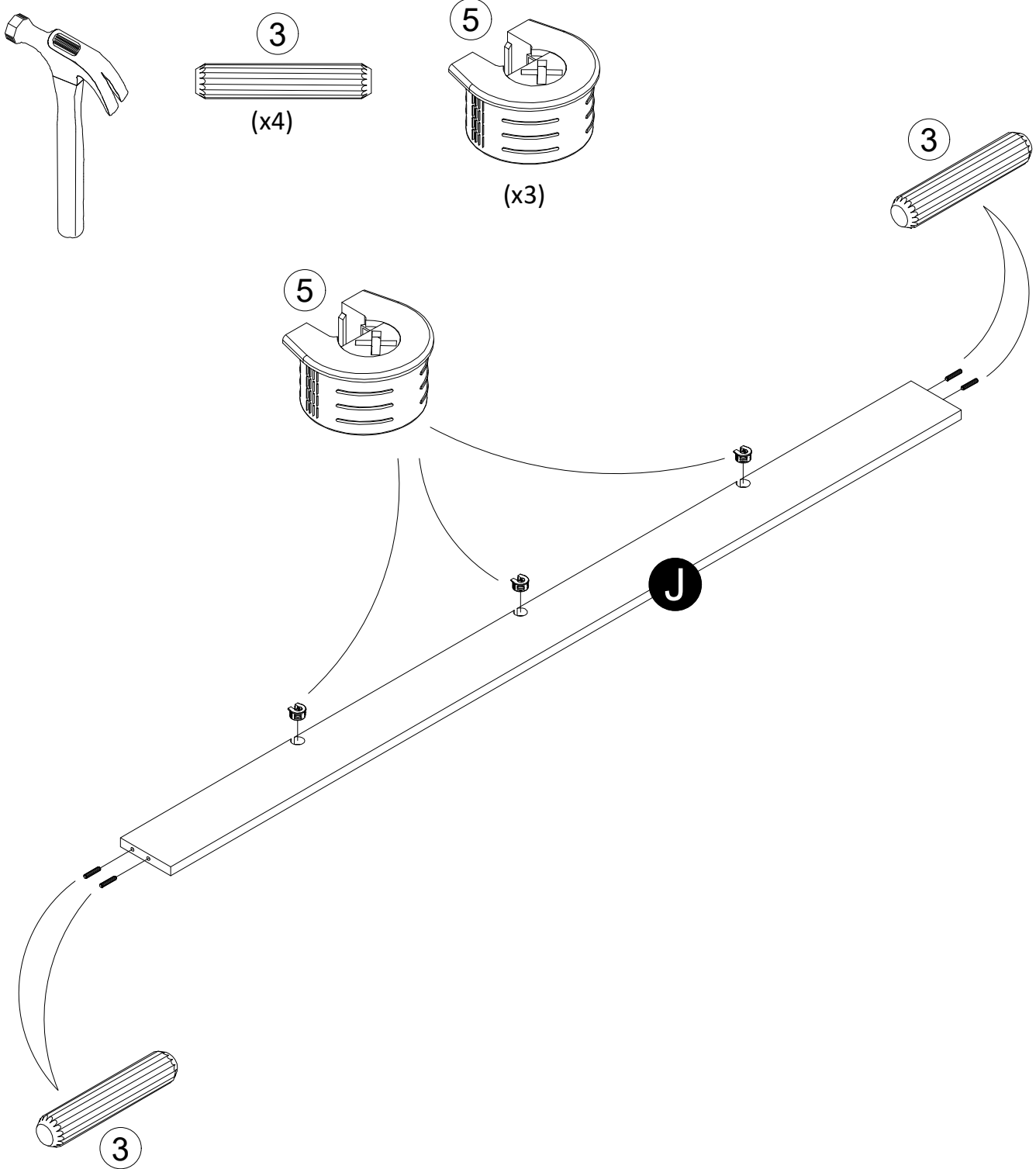
STEP 5



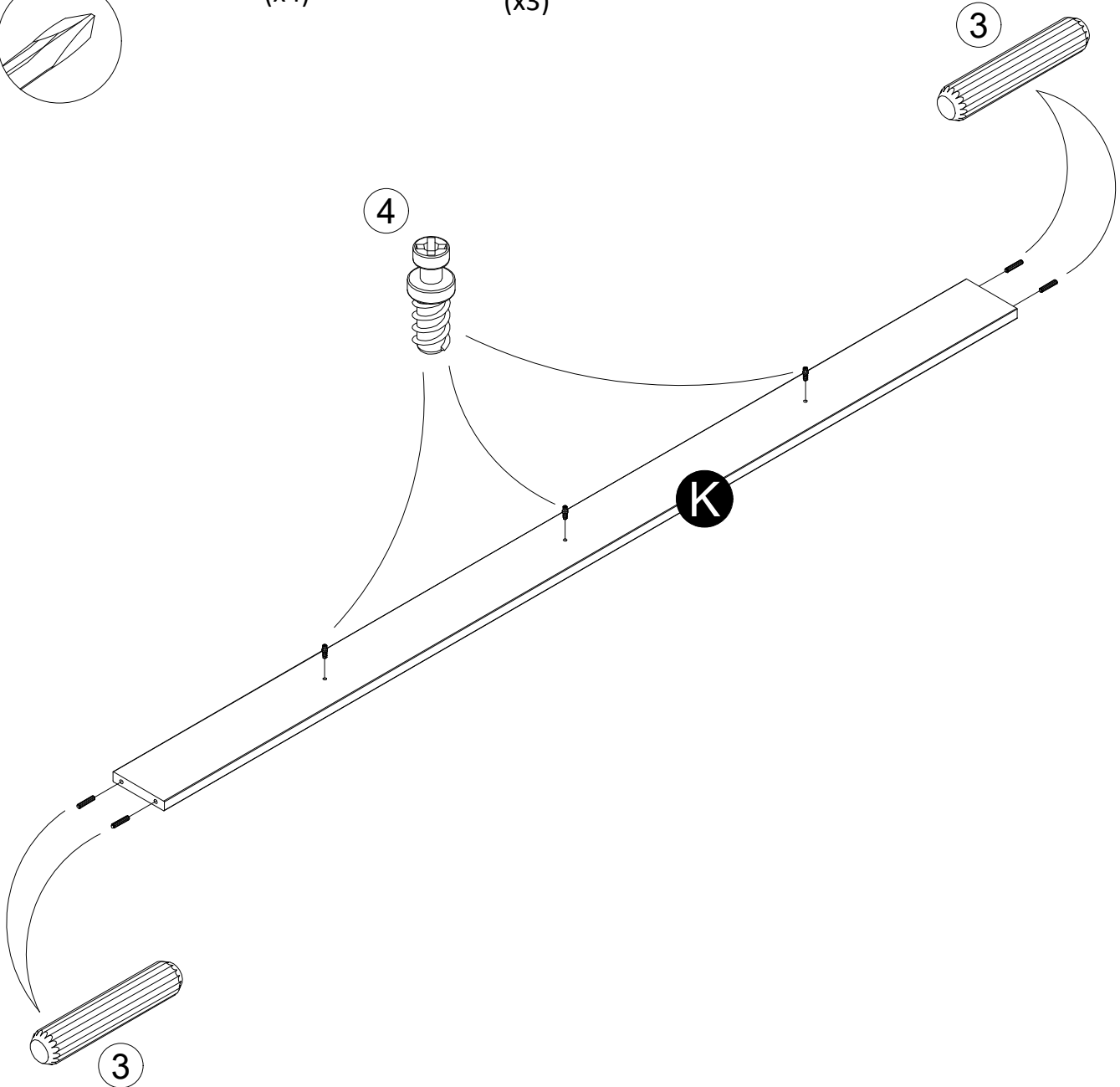
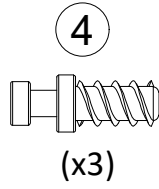
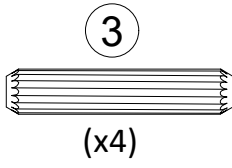
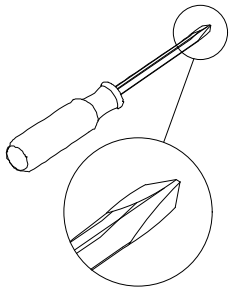
Proper orientation of Connector



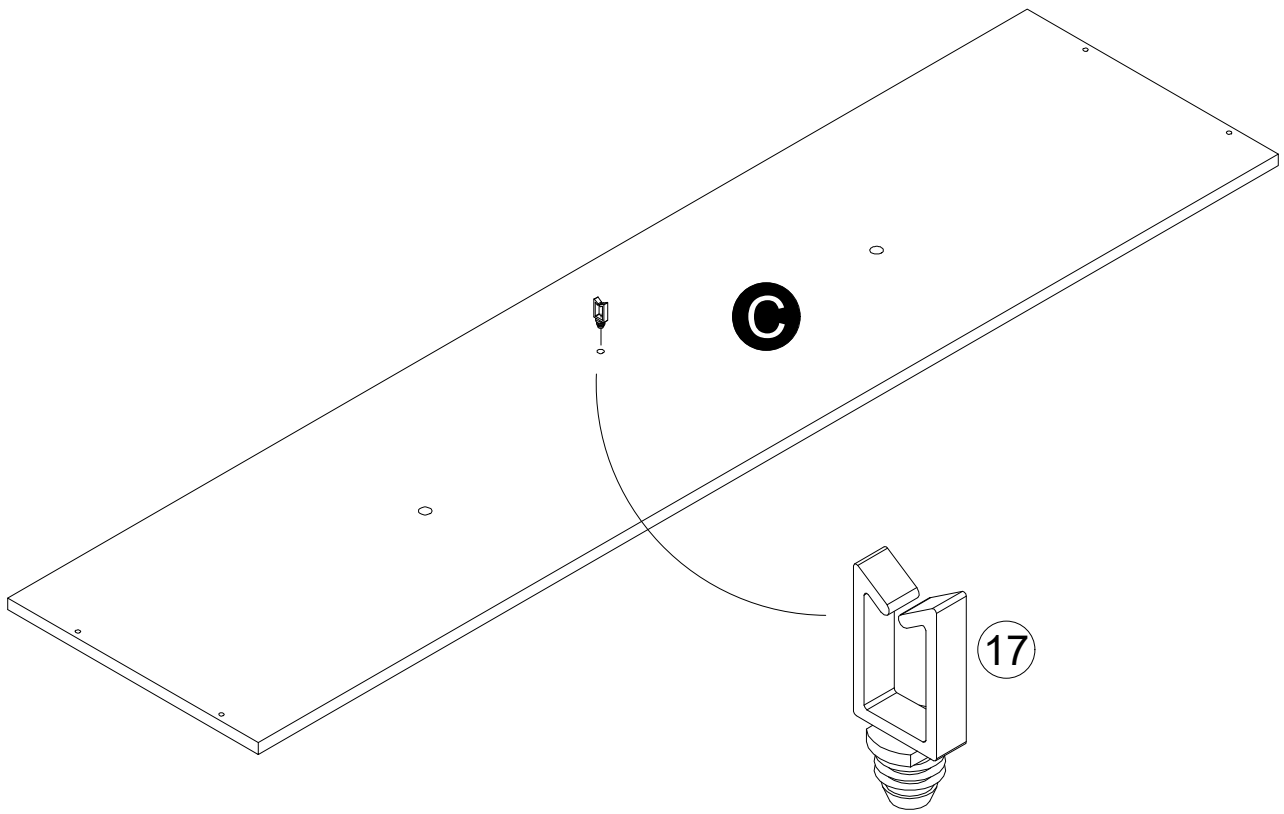
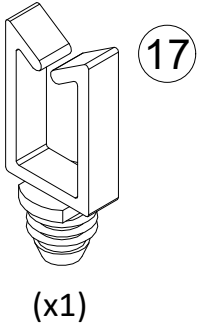
STEP 6



STEP 7

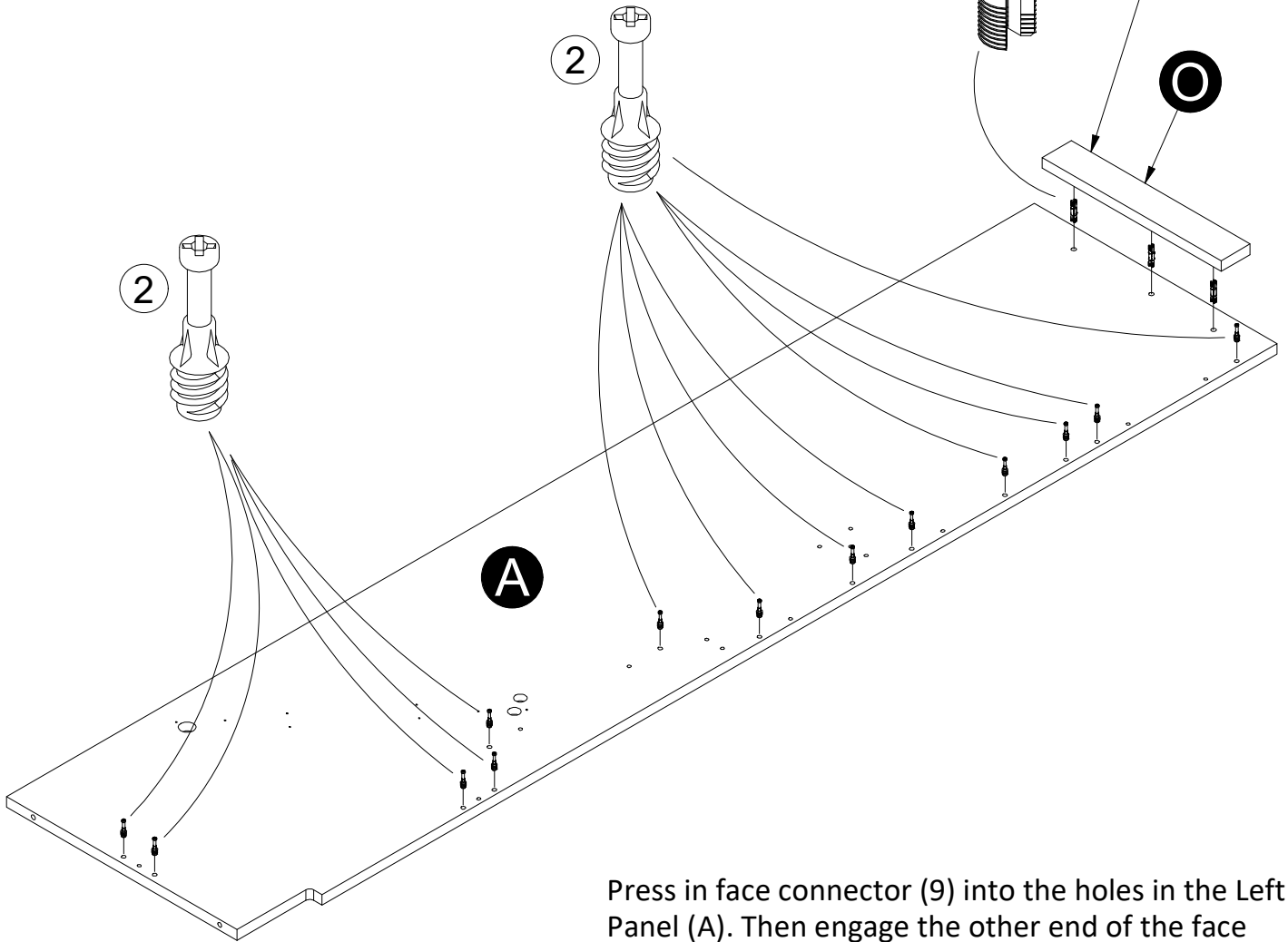
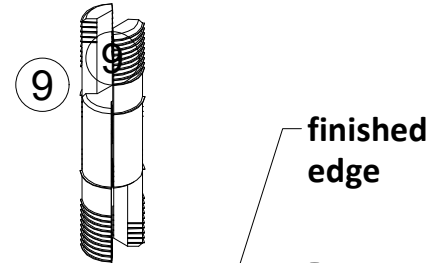
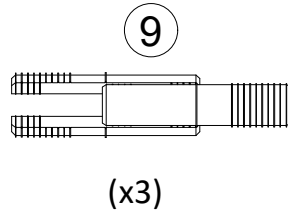
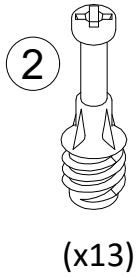
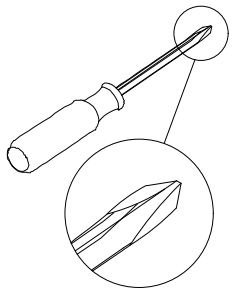


STEP 8



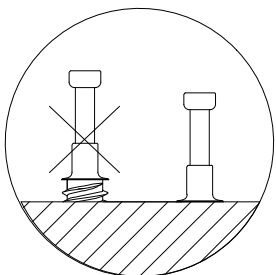
Proper orientation
of wire saddle

STEP 9

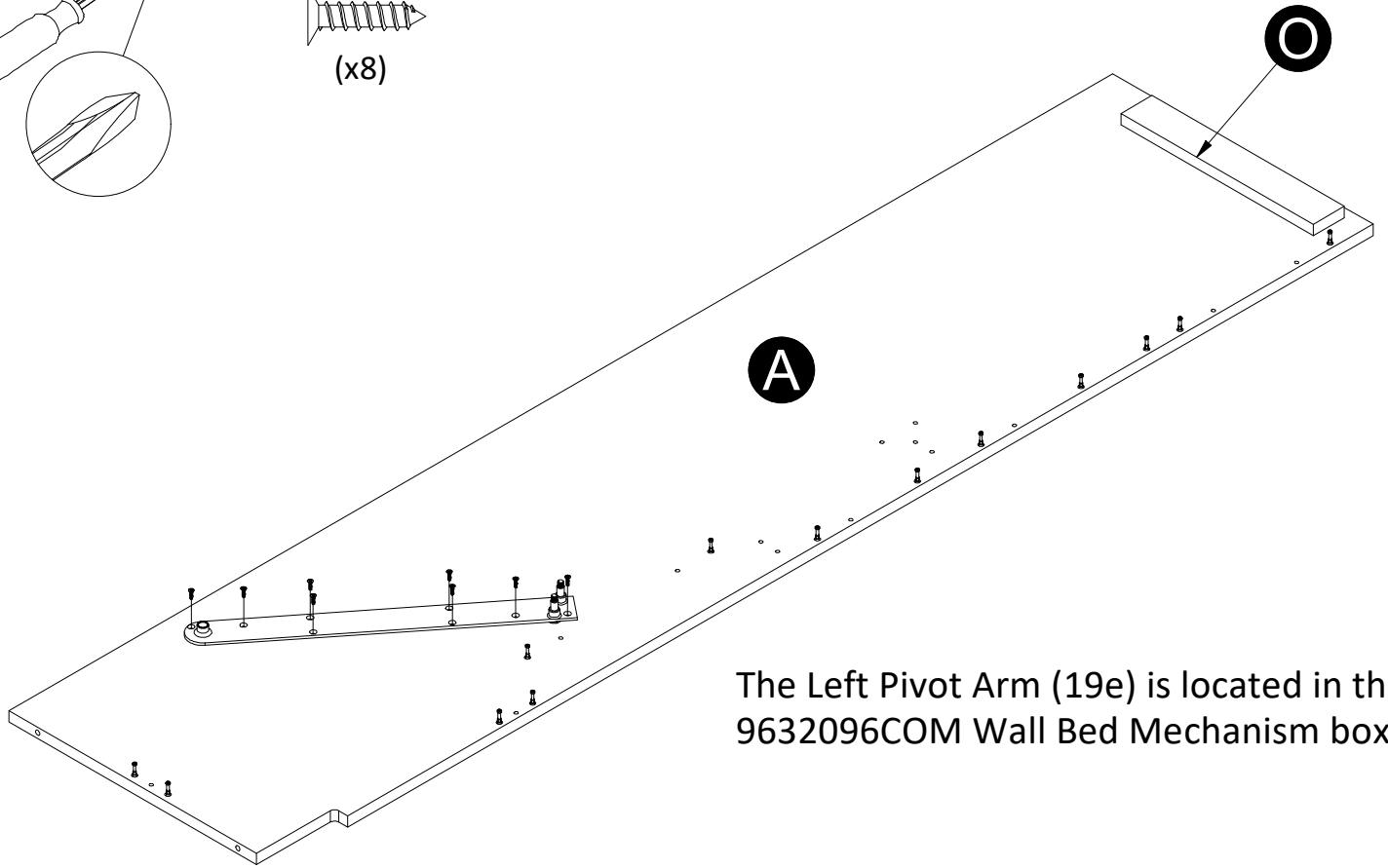
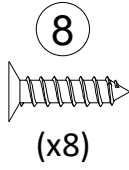
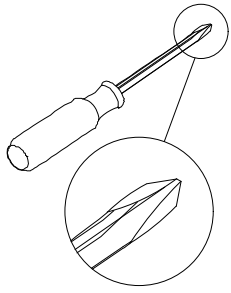


Press in face connector (9) into the holes in the Left Panel (A). Then engage the other end of the face connectors (9) into the holes in the Left Side Rail (O). Press the two parts together to lock together.

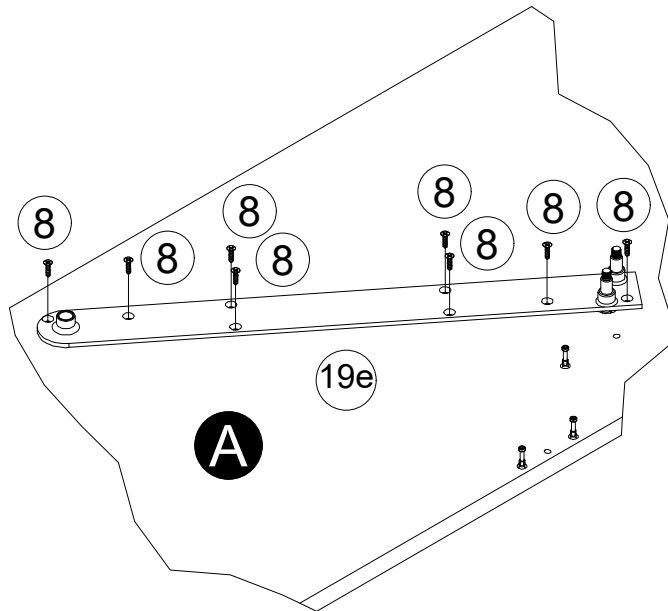
Please note: the parts will be loose in the holes until you press both parts together. At that point, the ends will compress to give a tight fit.



STEP 10

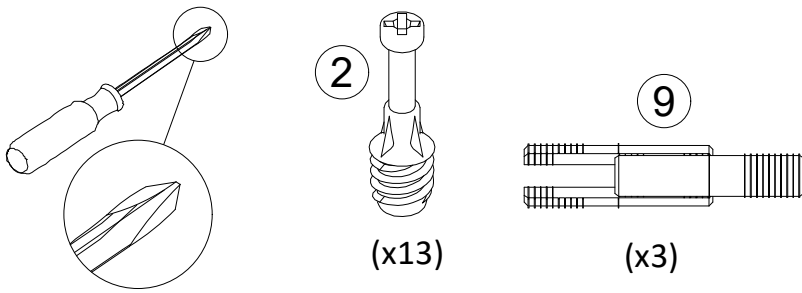


The Left Pivot Arm (19e) is located in the 9632096COM Wall Bed Mechanism box



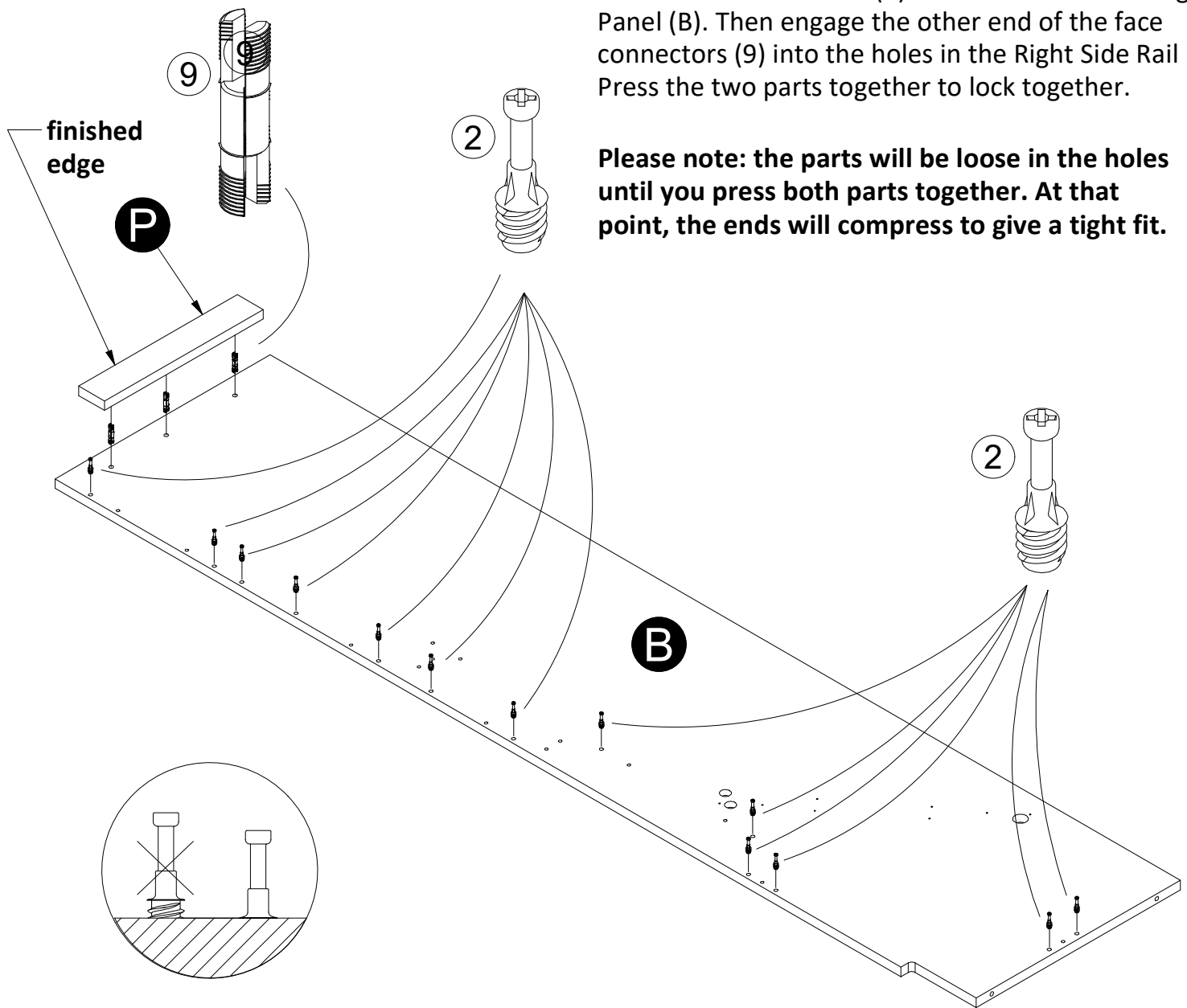
STEP 11

Mr. Kate®

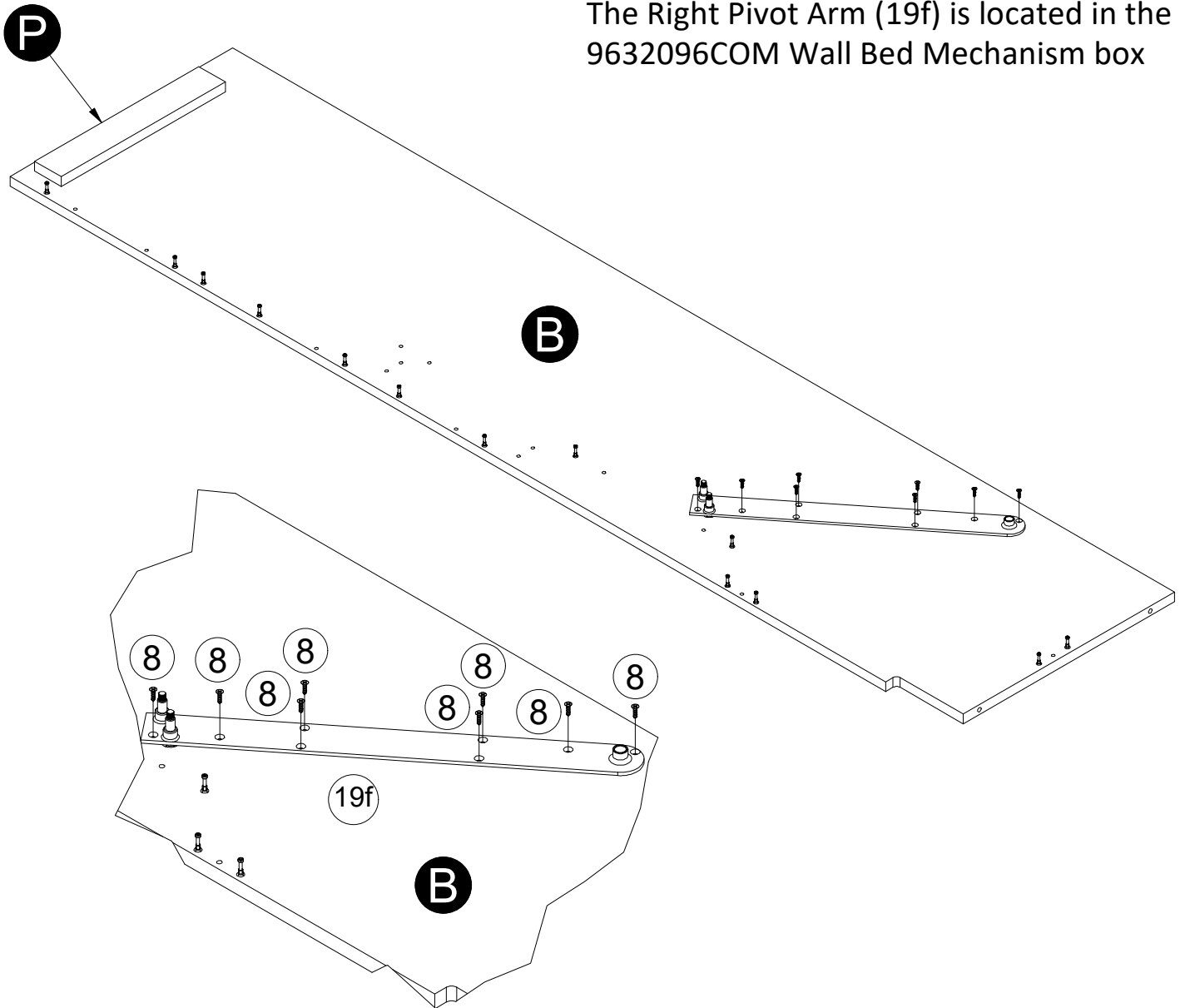
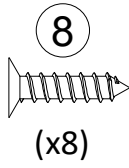
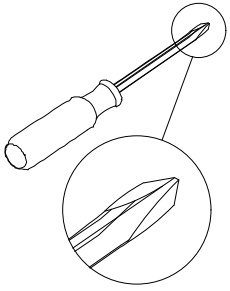


Press in face connector (9) into the holes in the Right Panel (B). Then engage the other end of the face connectors (9) into the holes in the Right Side Rail (P). Press the two parts together to lock together.

Please note: the parts will be loose in the holes until you press both parts together. At that point, the ends will compress to give a tight fit.

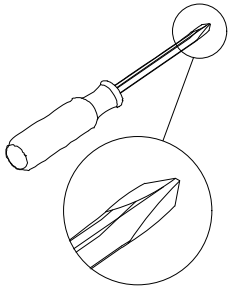


STEP 12

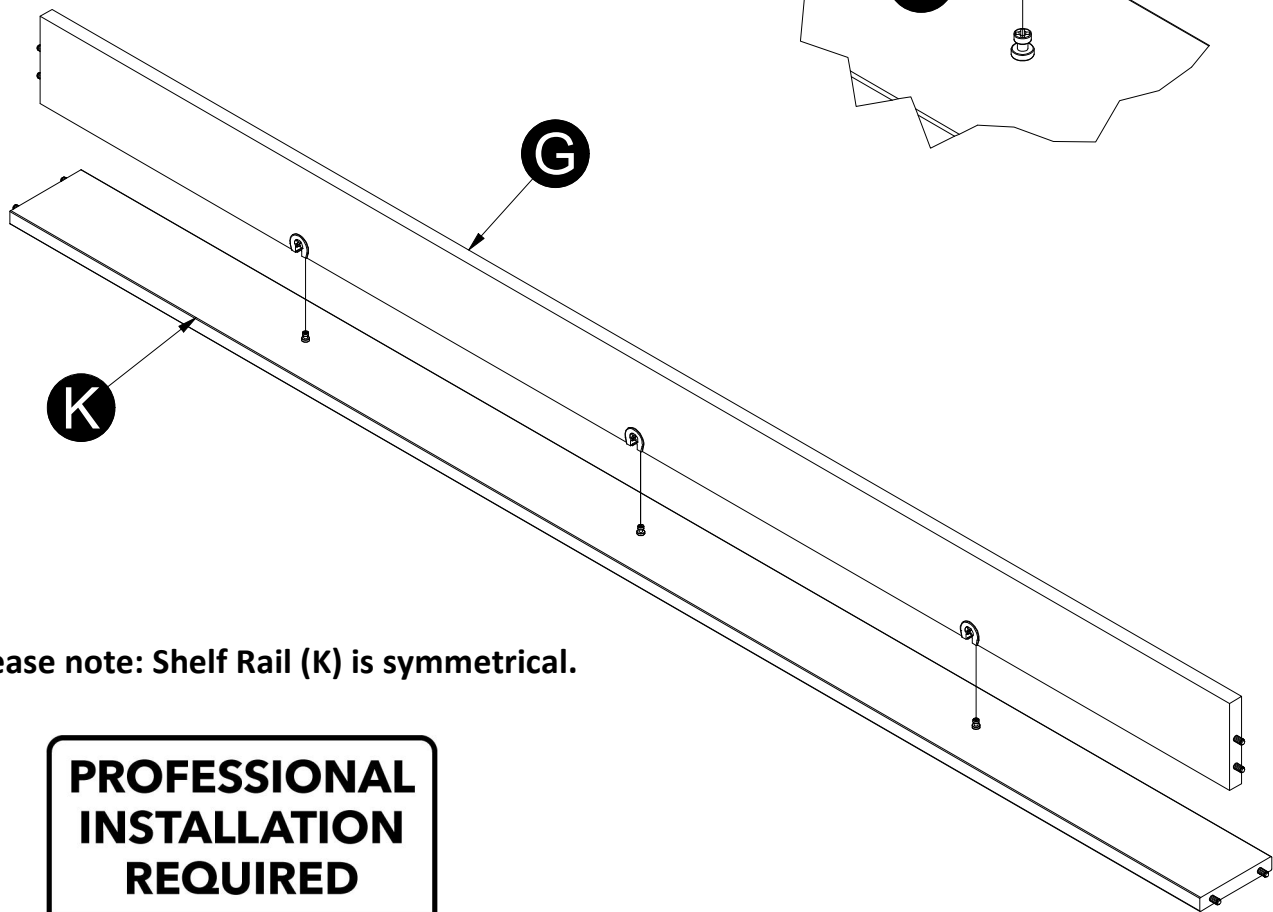
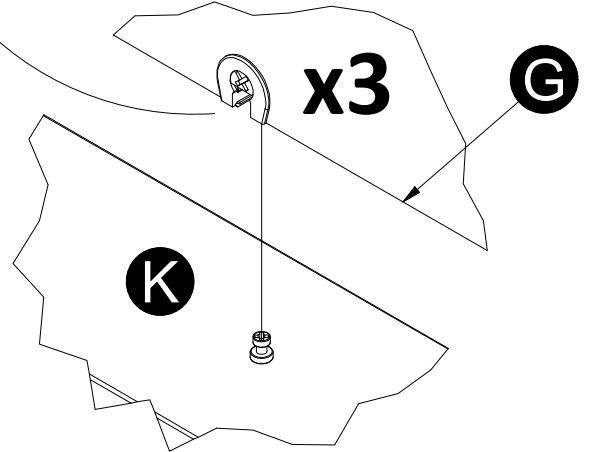


The Right Pivot Arm (19f) is located in the 9632096COM Wall Bed Mechanism box

STEP 13



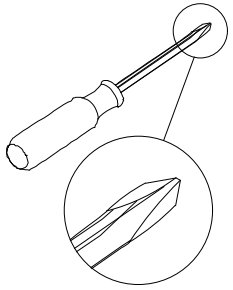
Turn clockwise
to lock in place



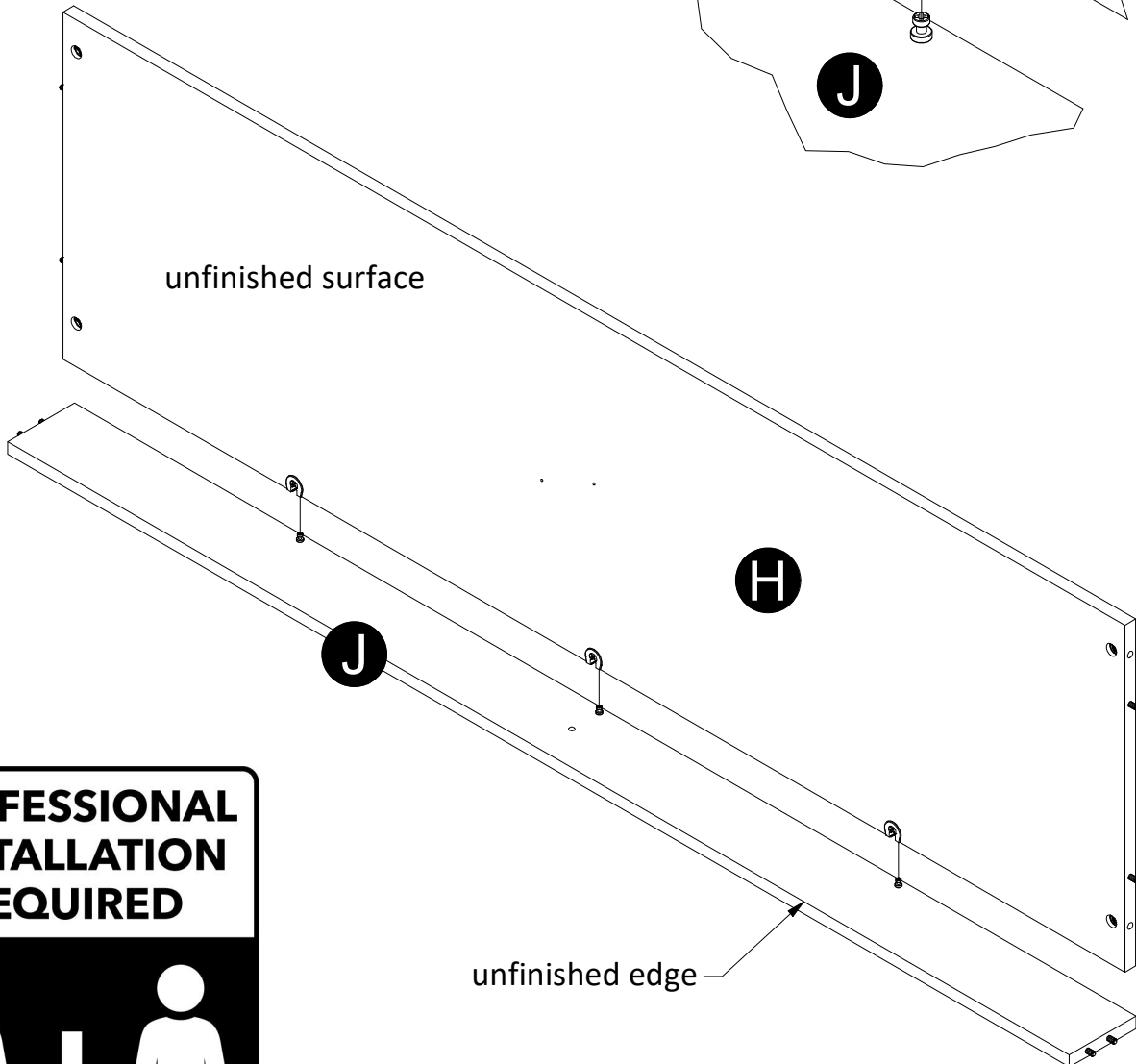
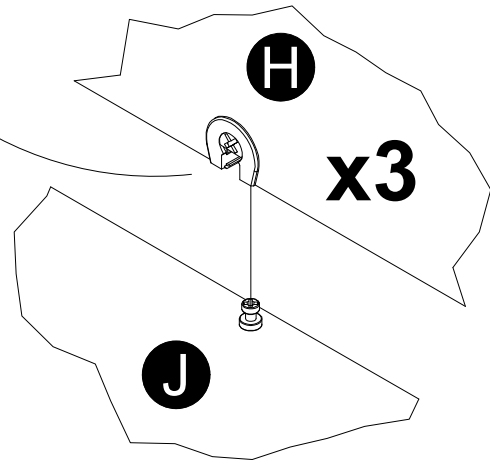
Please note: Shelf Rail (K) is symmetrical.



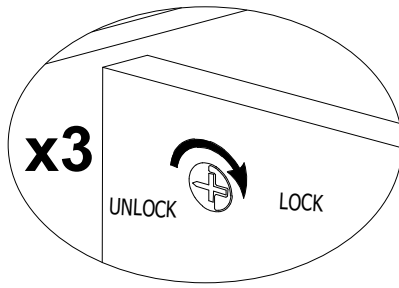
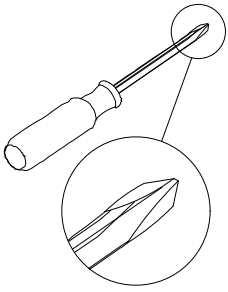
STEP 14



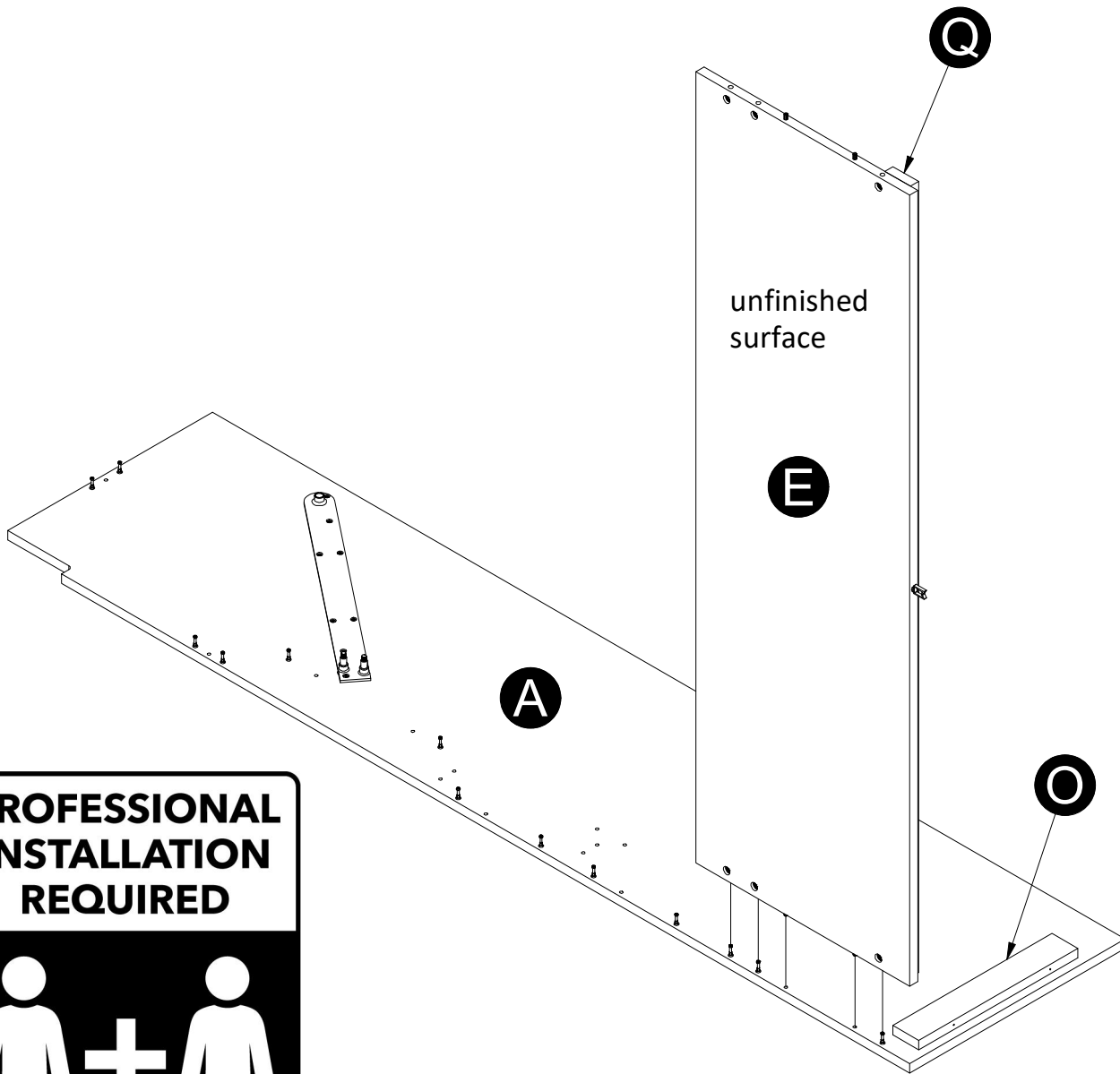
Turn clockwise
to lock in place



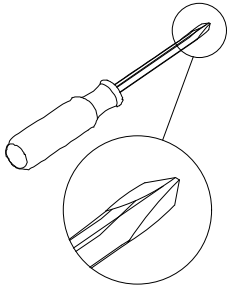
STEP 15



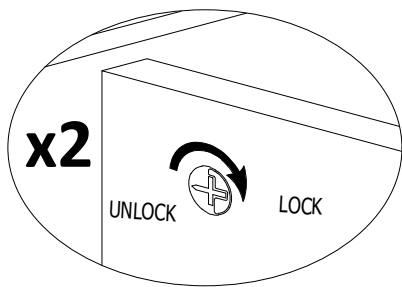
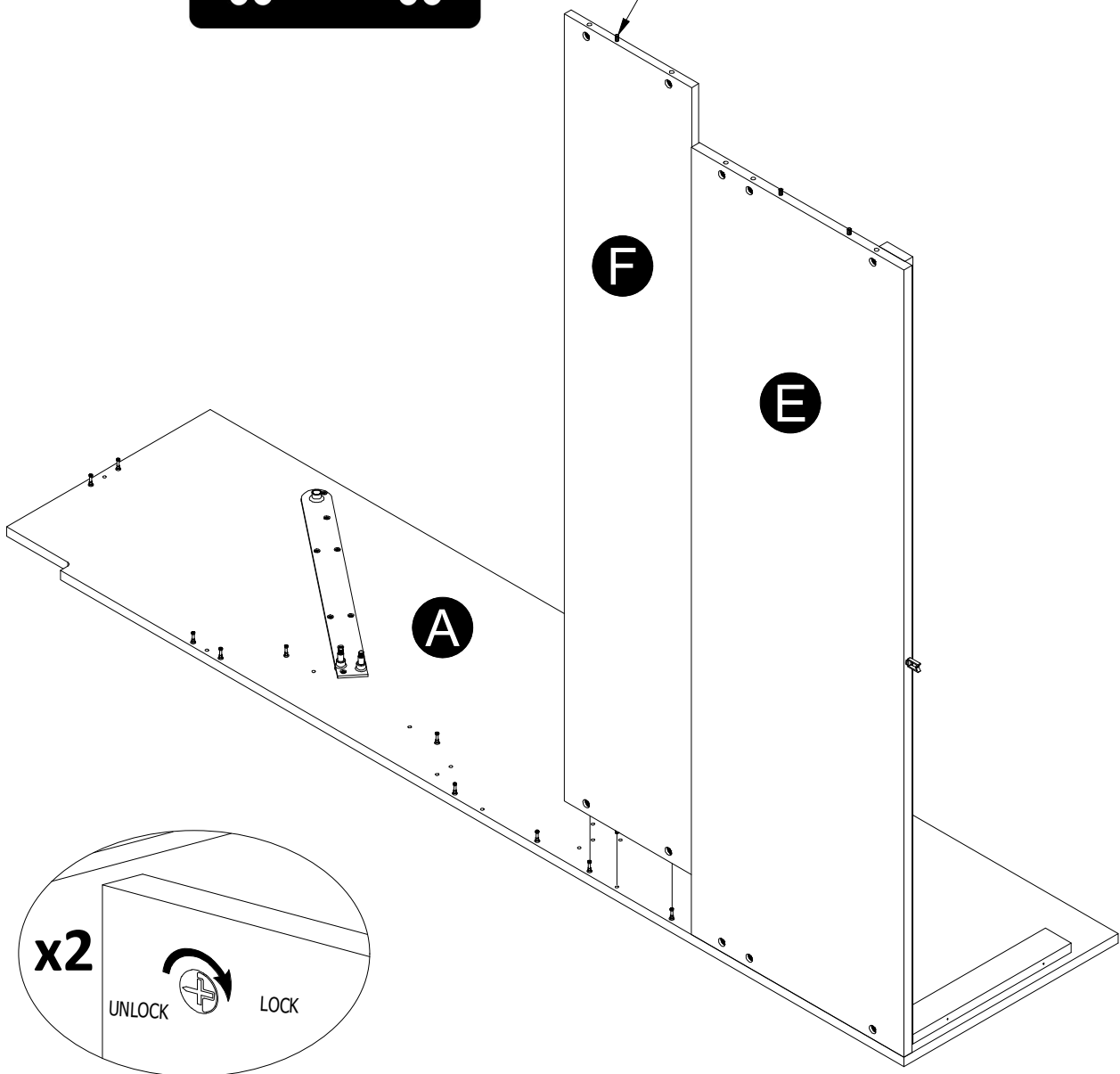
Please note: Rear Rail (Q) is assembled on finished surface of the Upper Back Panel (E)



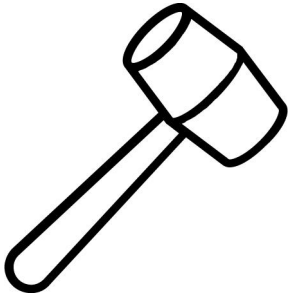
STEP 16



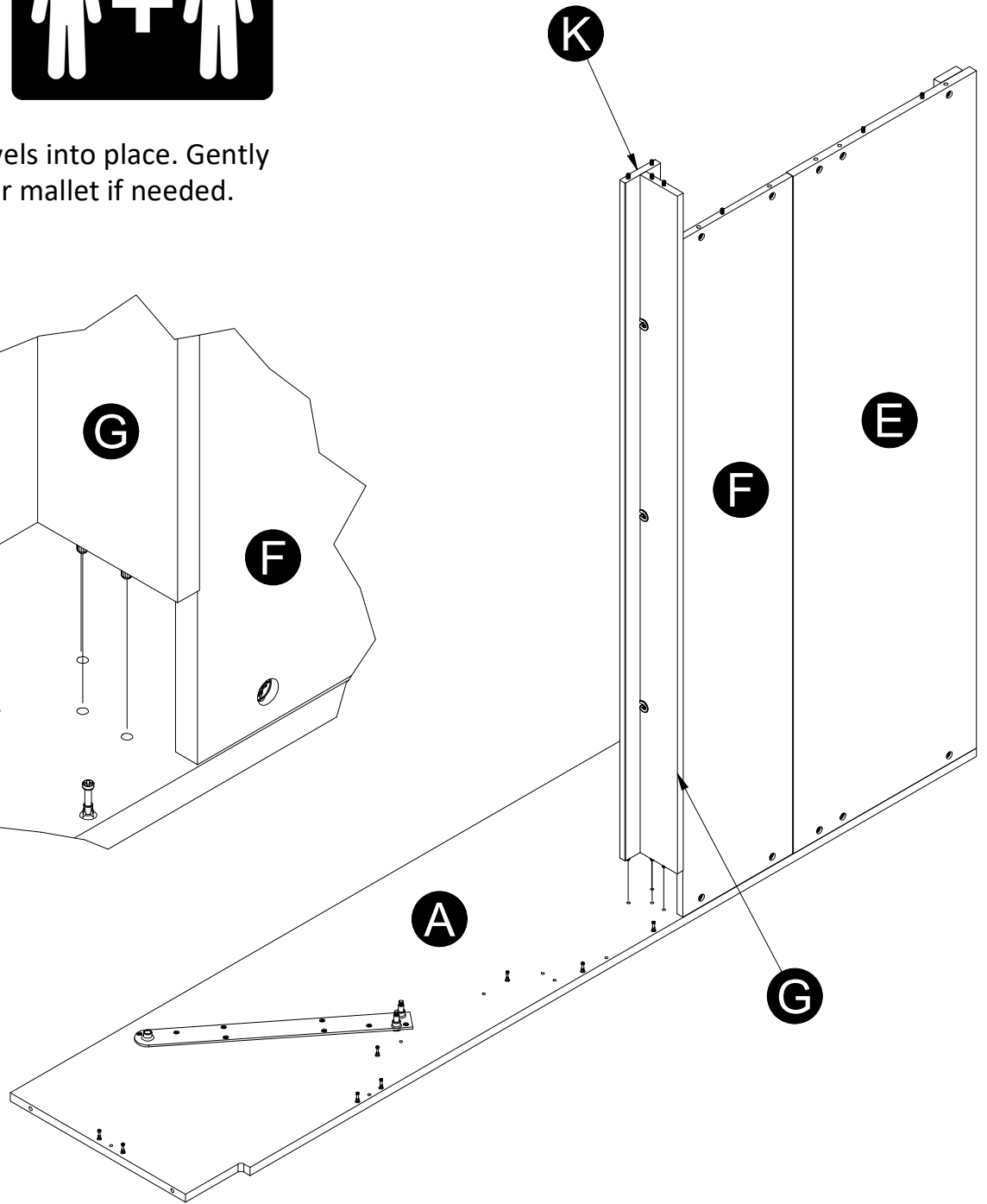
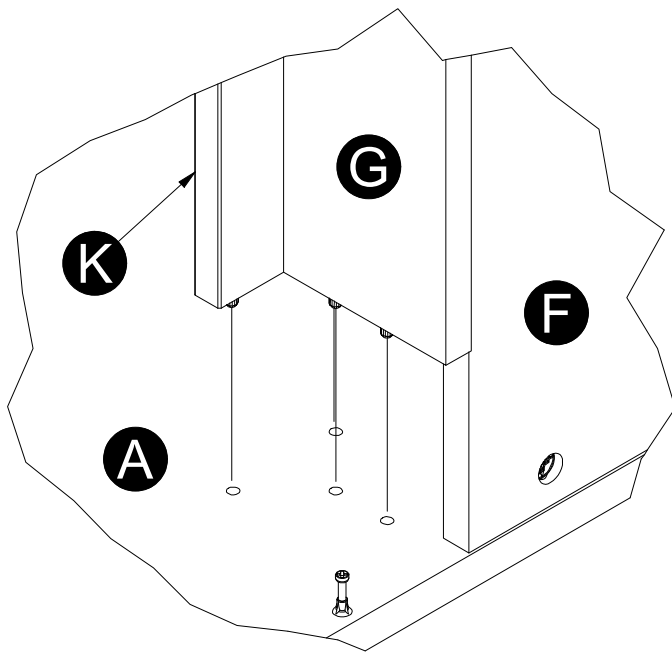
Dowel is closer to the edge here



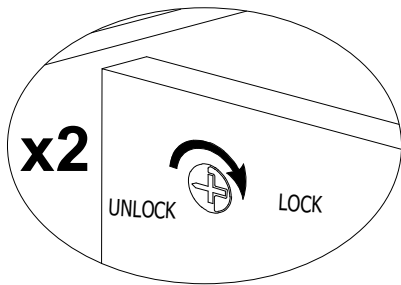
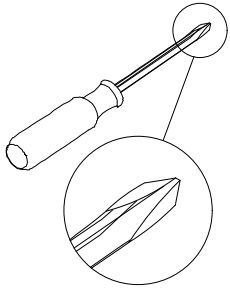
STEP 17



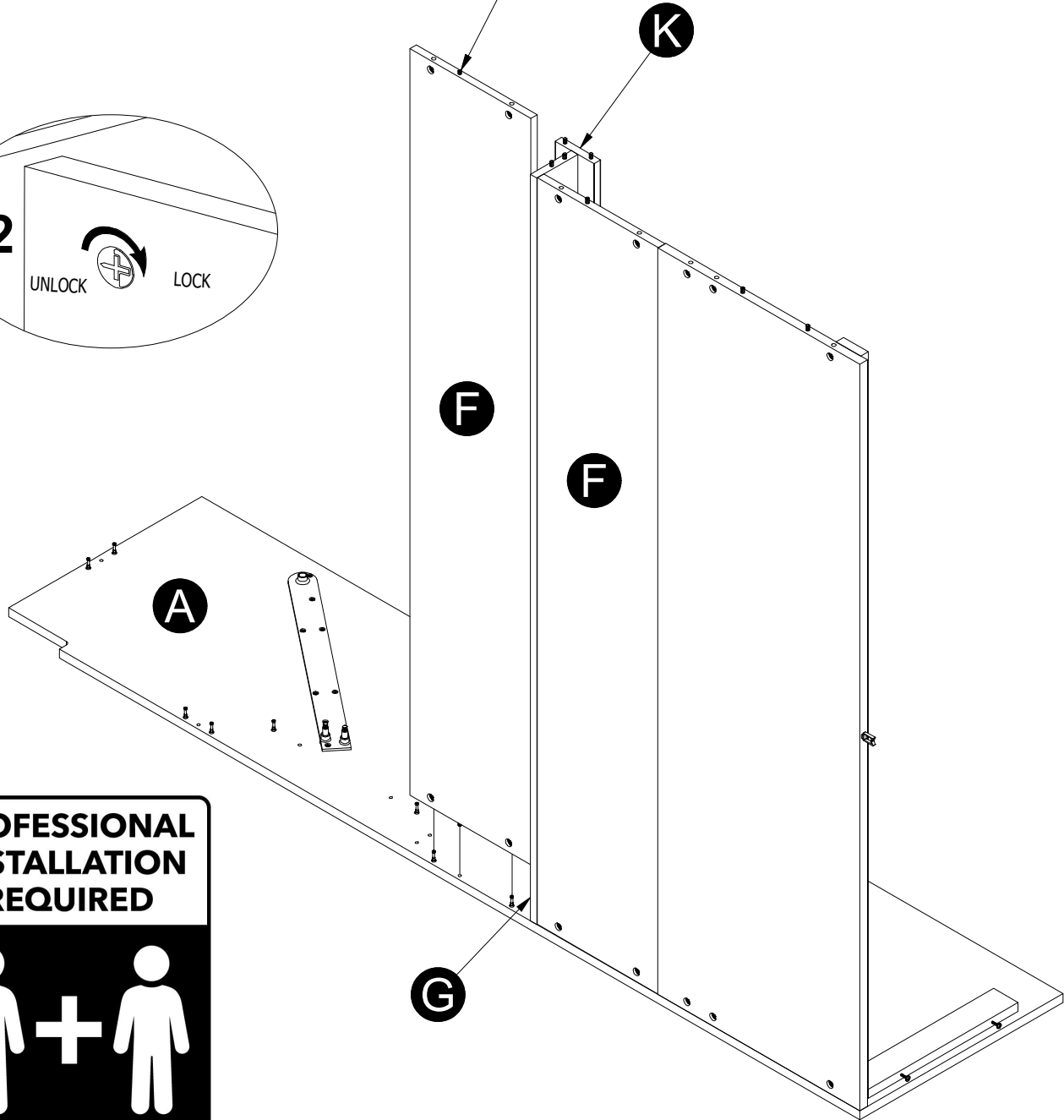
Press dowels into place. Gently use rubber mallet if needed.



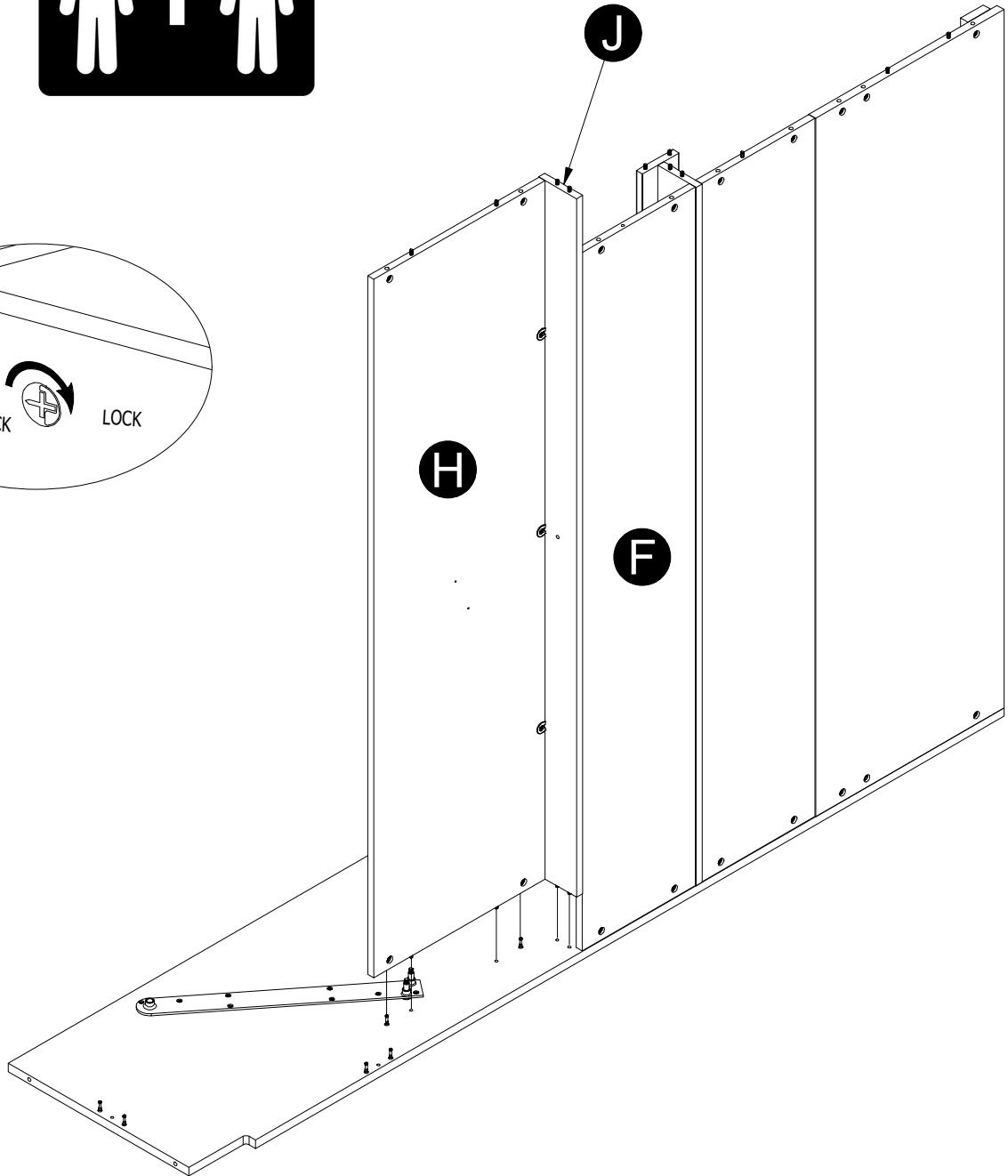
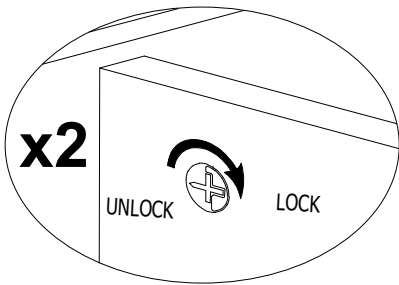
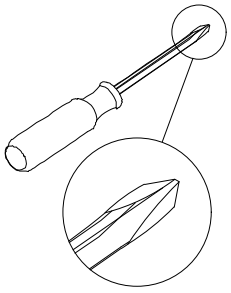
STEP 18



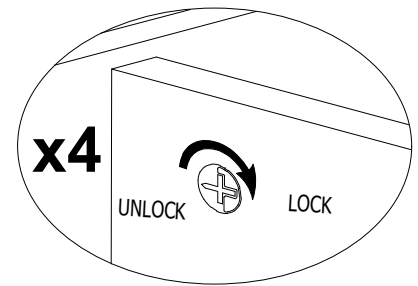
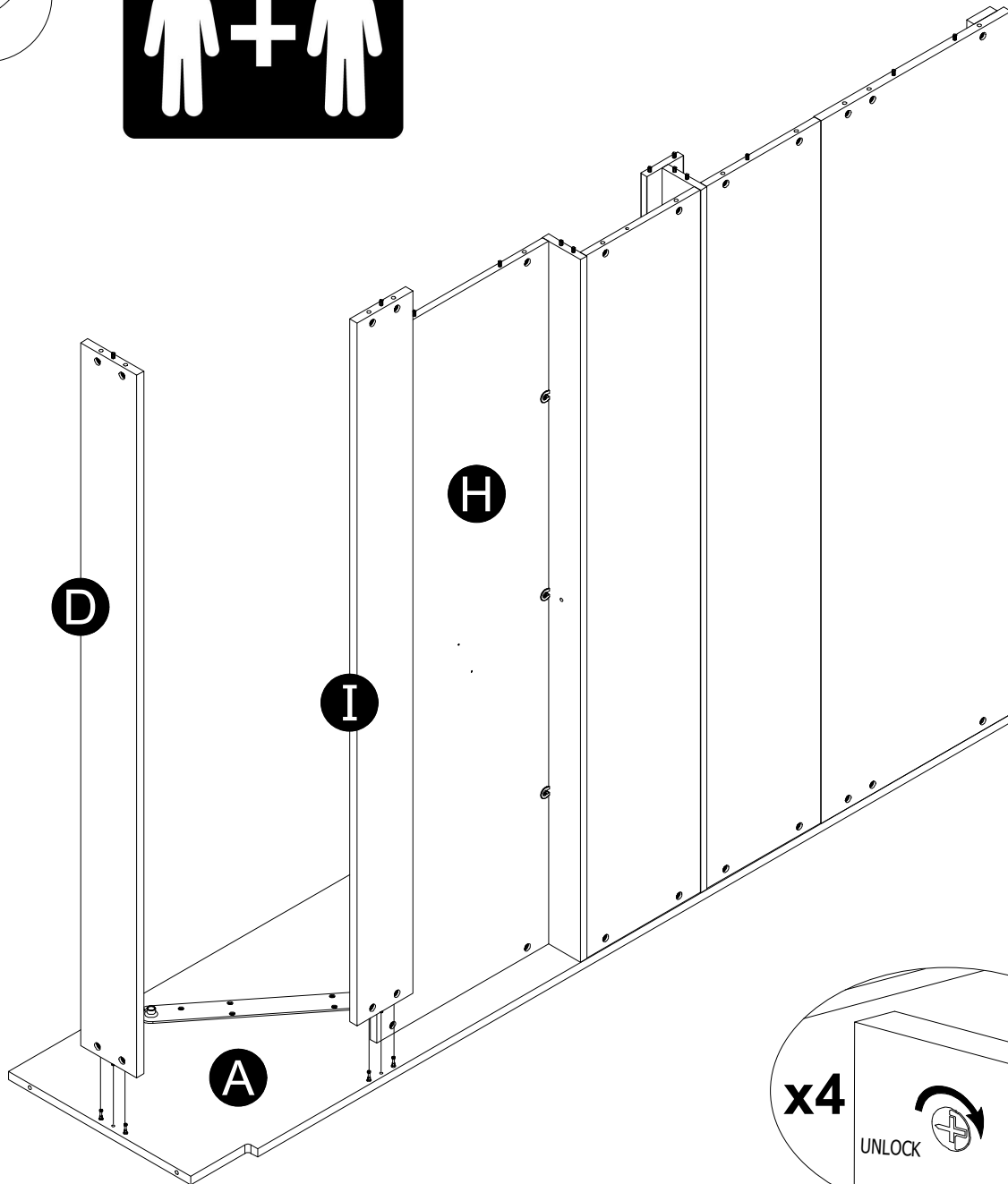
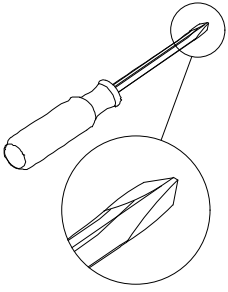
Dowel is closer to the edge here



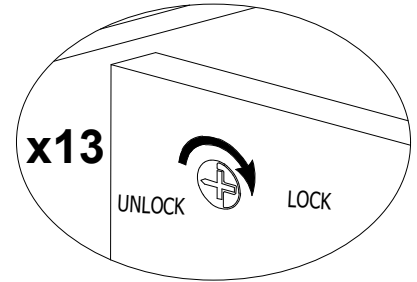
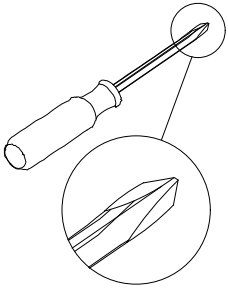
STEP 19



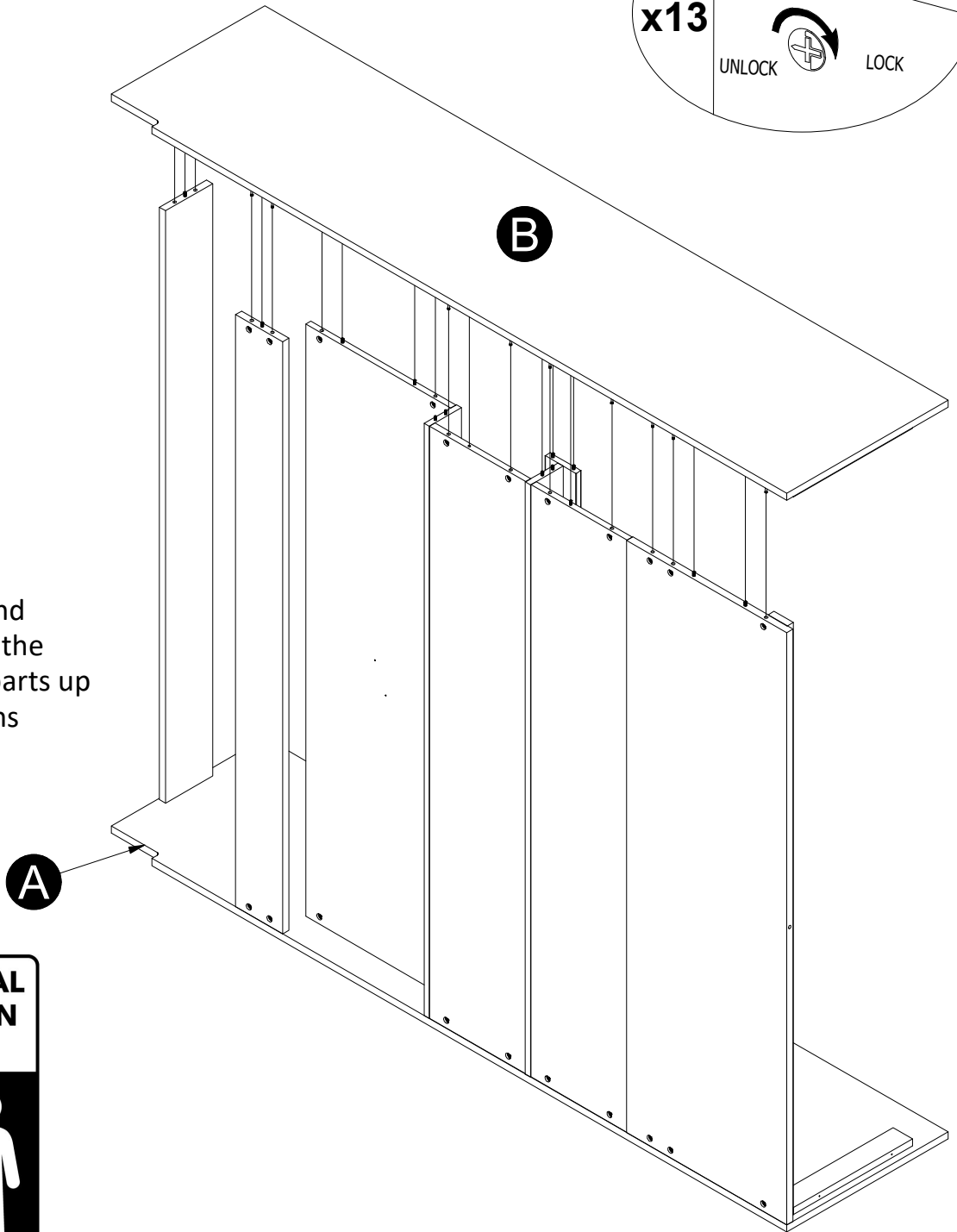
STEP 20



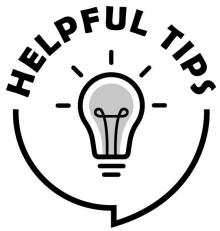
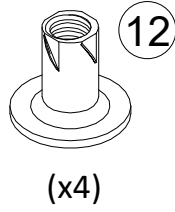
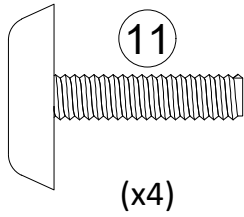
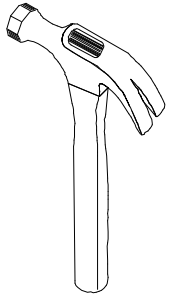
STEP 21



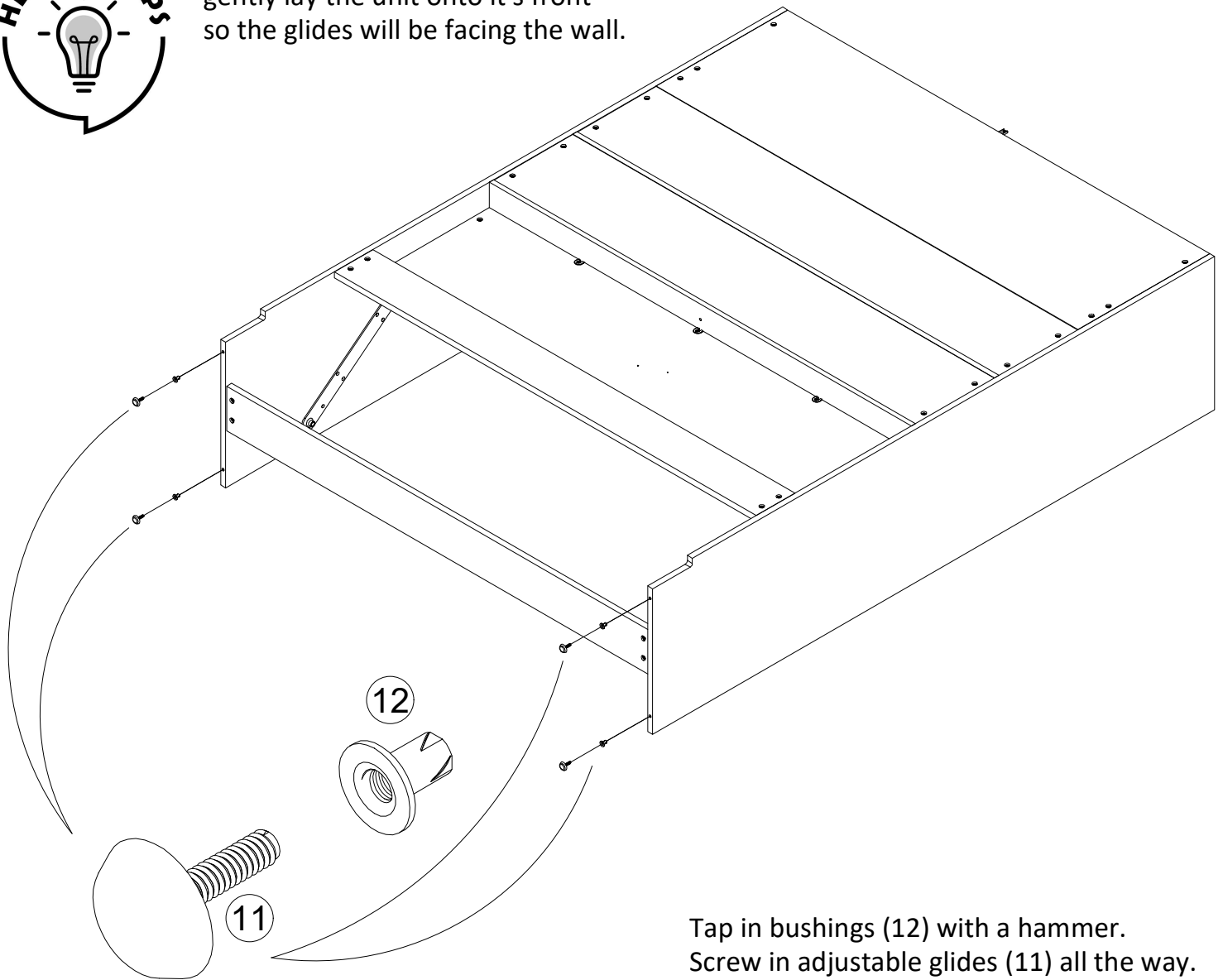
Start at one end and work your way to the other end to line parts up before locking cams



STEP 22



With the help of another person, gently lay the unit onto it's front so the glides will be facing the wall.



Tap in bushings (12) with a hammer.
Screw in adjustable glides (11) all the way.

STEP 23

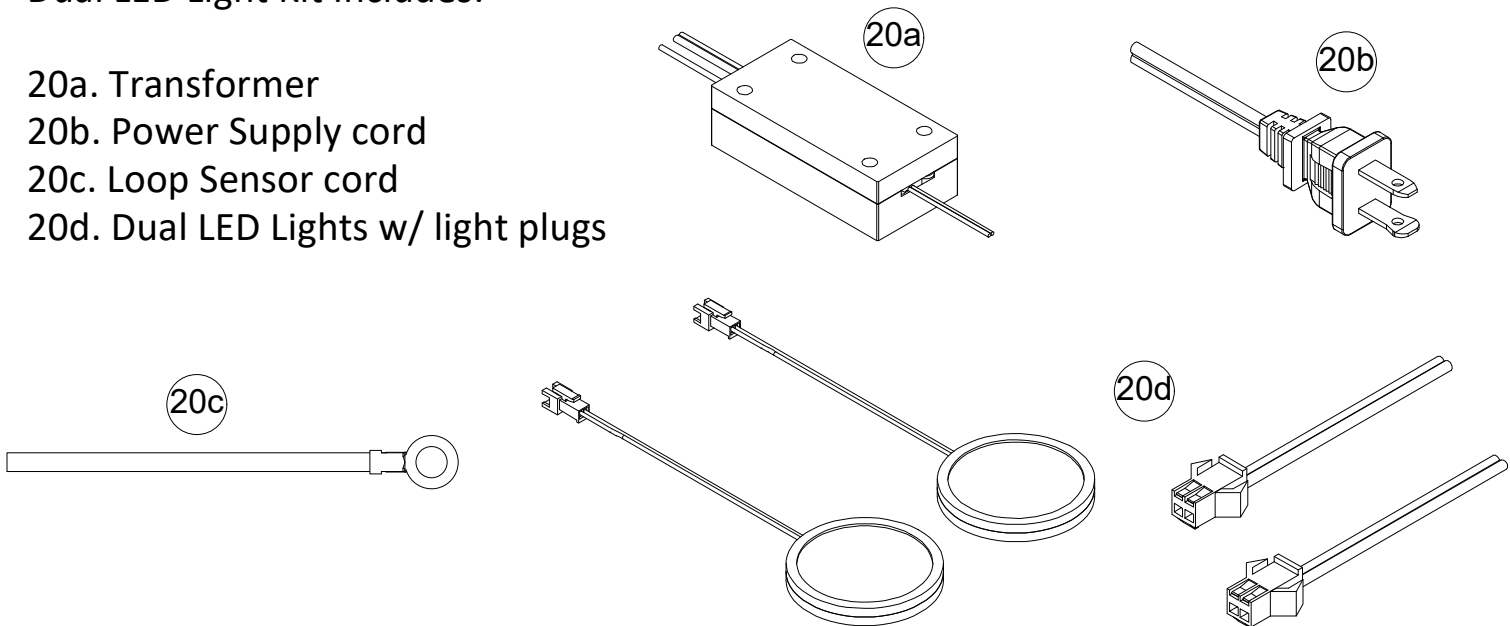
Electrical hardware

Cord length information:

1. The power supply cord is 72" from transformer to the plug's tip
2. The loop wire for the sensor disk, from the transformer is 48" to the center of the loop
3. The light wire that ends in a clip (that will eventually be connected to the light module), that wire, from the transformer is 100" to the clip
4. The light module, its wire comes out of the light disk and extends out 5" to the center of its clip

Dual LED Light Kit Includes:

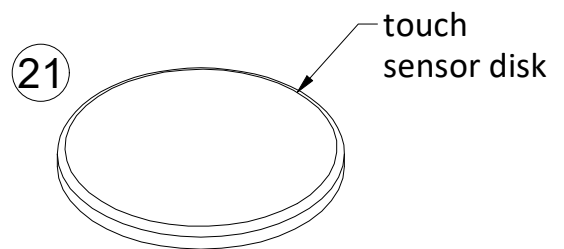
- 20a. Transformer
- 20b. Power Supply cord
- 20c. Loop Sensor cord
- 20d. Dual LED Lights w/ light plugs



Touch Sensor Disk (separately packaged)

The Touch Sensor Disk has 3 brightness options.

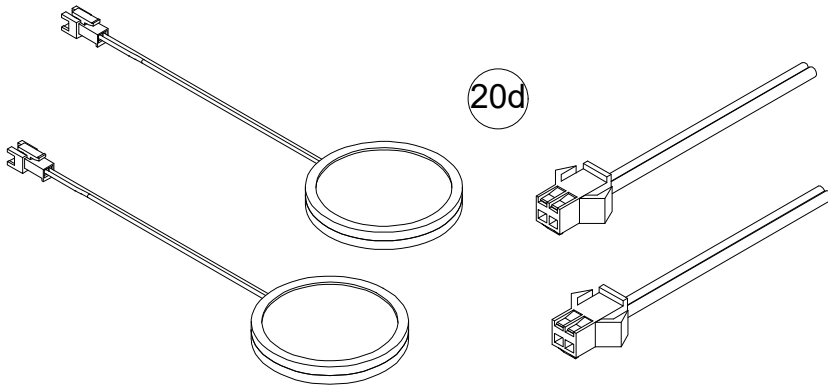
- Touch 1 - night light
- Touch 2 - energy saver light
- Touch 3 - bright reading light
- Touch 4 - turn off



Please note: Assembly hardware aren't included in these packages. But are provided in hardware bag.

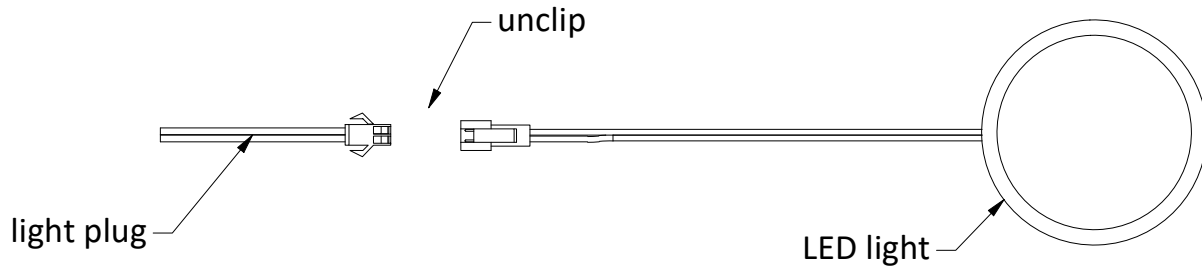
STEP 23 continued...

Mr. Kate®



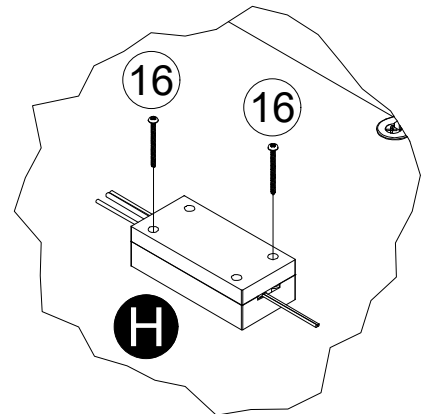
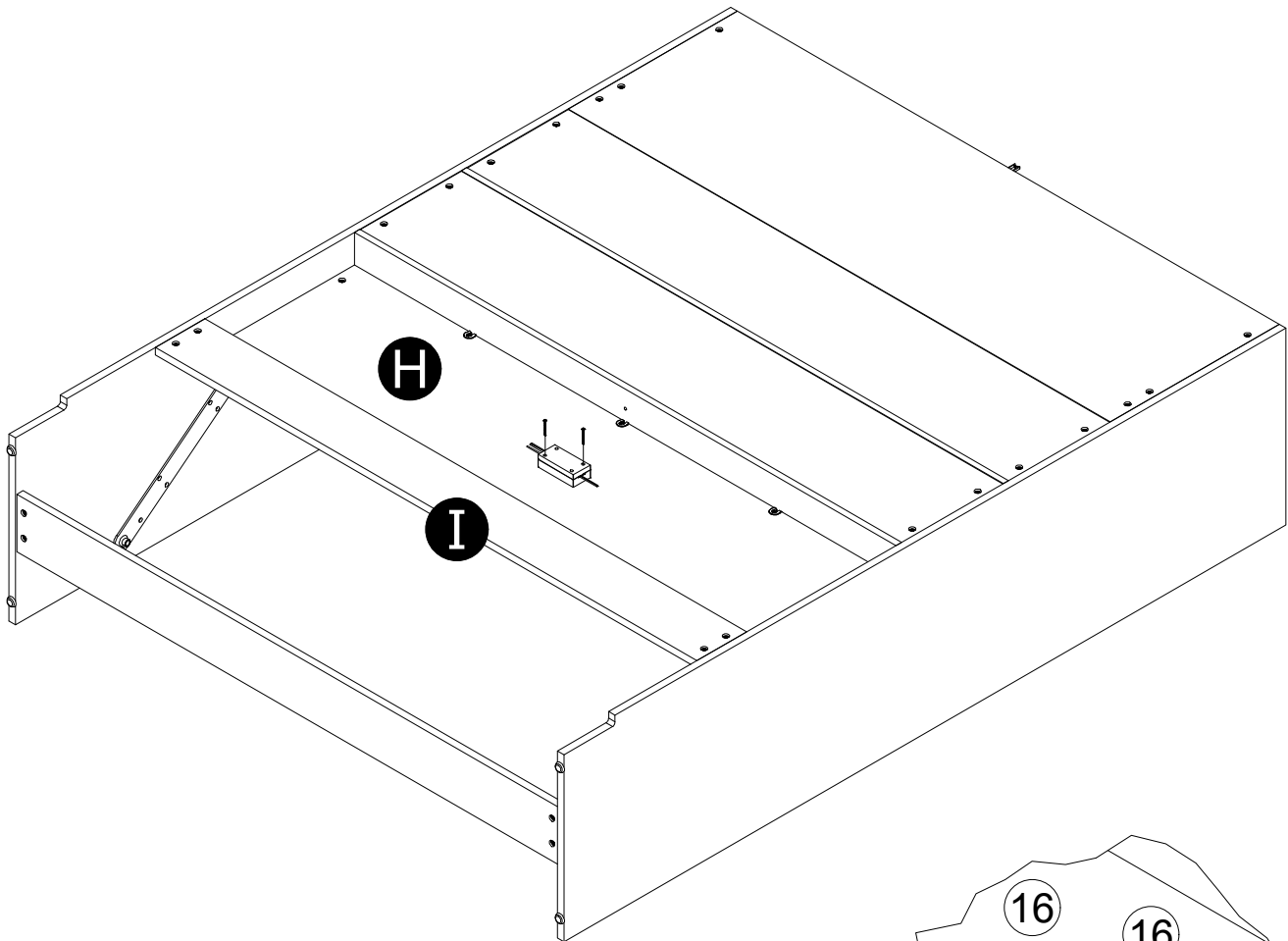
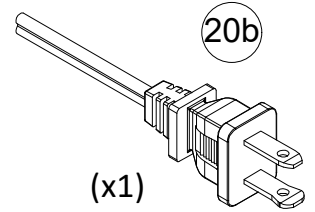
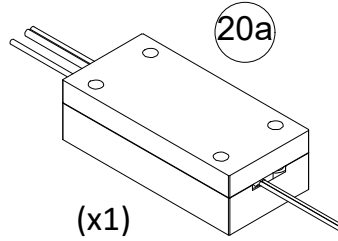
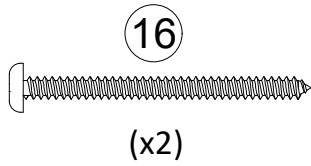
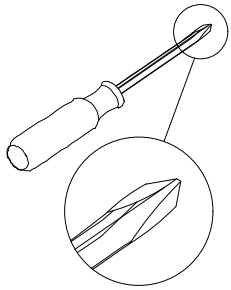
LED Light Kit Assembly

Open the package for the LED Light Kit. Everything will be assembled together. First, unclip the LED Light from the Light Plug as shown...



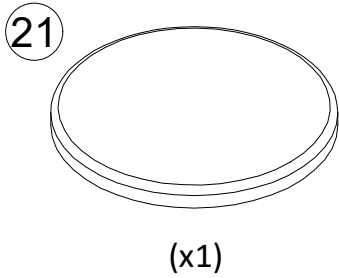
Second, you must disassemble the LED Light. Unscrew the cover off the base and then remove the lens piece. Place these pieces safely aside.

STEP 24

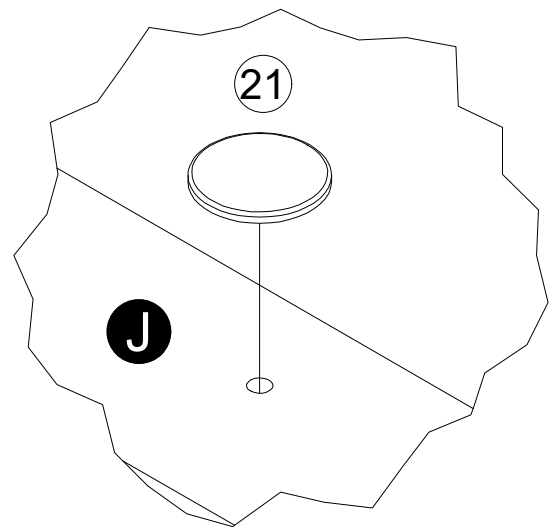
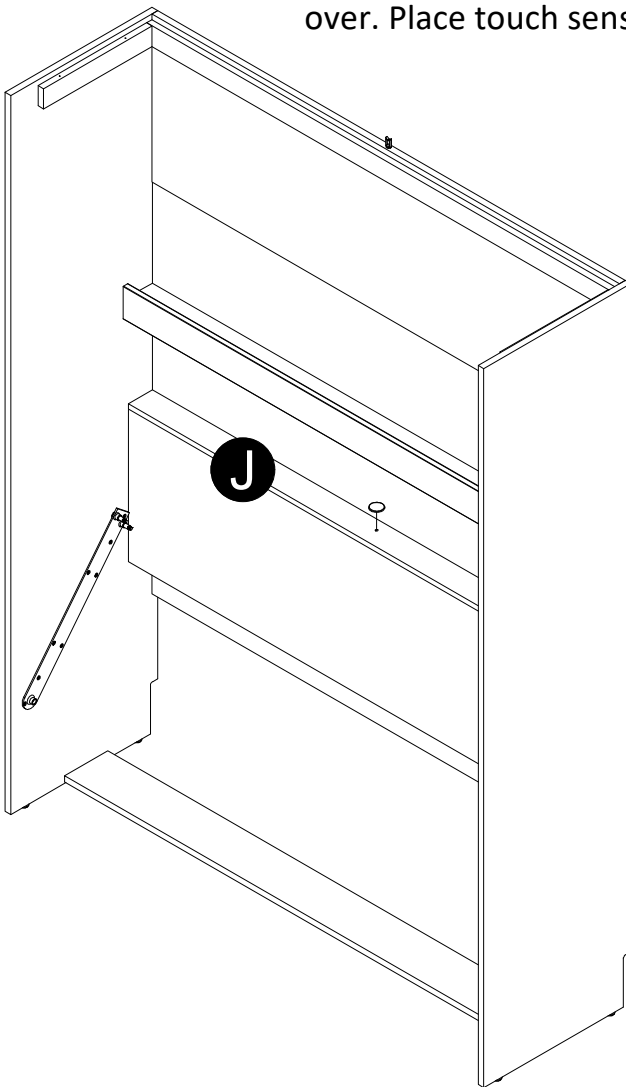


Place transformer (20a) on the Headboard Panel (H) in the location shown. Use screw (16) to attach transformer (20a). Thread the power supply plug (20b) in front of the Bottom Stringer (I) if needed for power source.

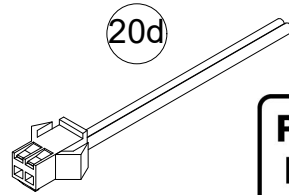
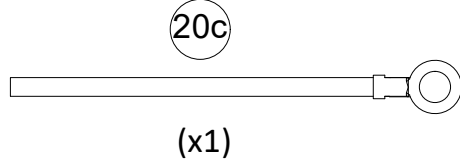
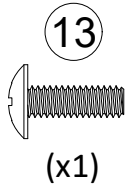
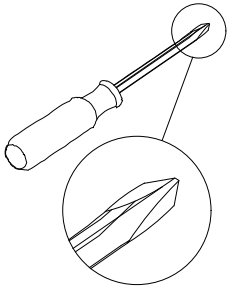
STEP 25



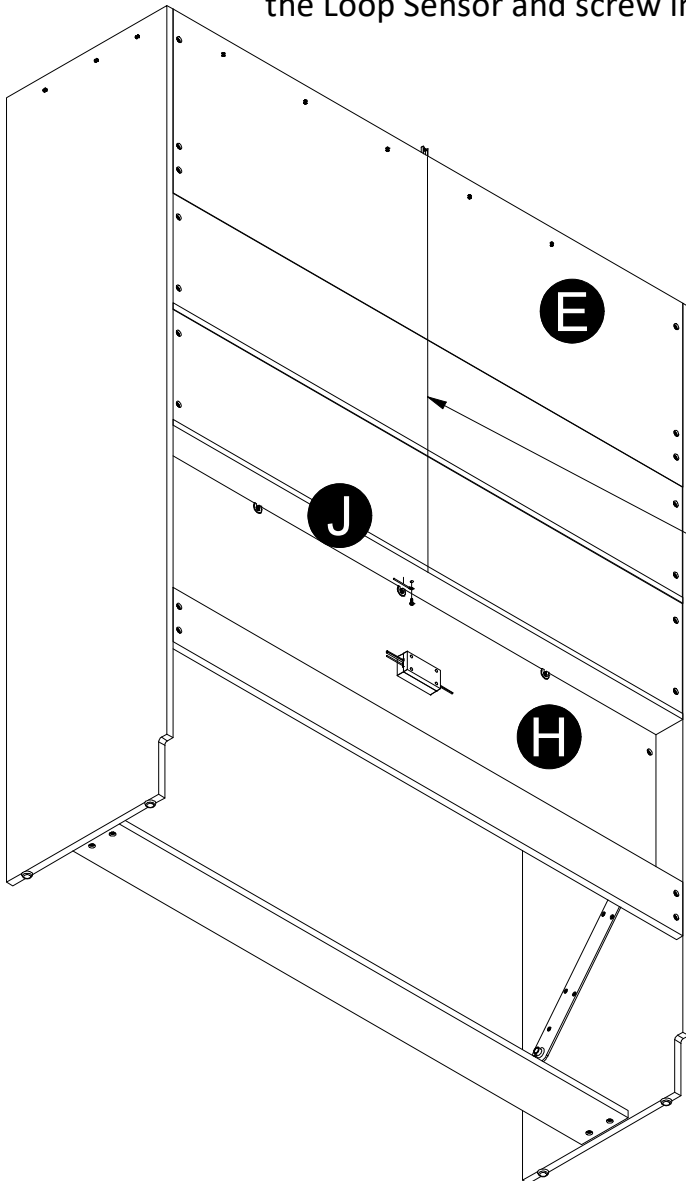
With the help of another person, carefully stand the unit upright. During these steps, allow another person to securely hold the unit from tipping over. Place touch sensor disk (21) in location shown in Lower Shelf (J).



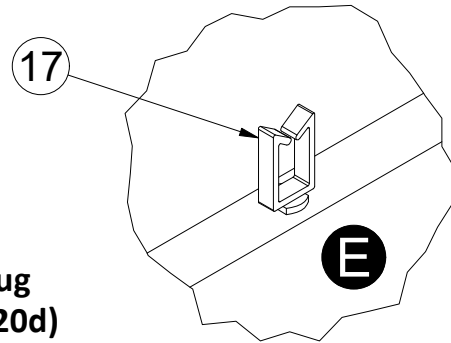
STEP 26



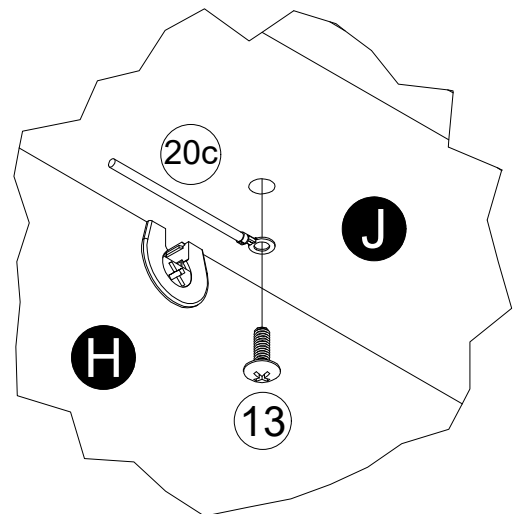
With the help of another person holding the unit steady upright, take the Loop Sensor (20c) that is connected to the Transformer (20a) and place underneath the Lower Shelf (J) at the hole location of the Touch Sensor Disk (21). Thread screw (13) through the Loop Sensor and screw into Touch Sensor Disk (21).



Once screw (13) is fully tightened, thread the light plug (20d) wires up along the back side of the unit. Thread the wires through the wire saddle (17) on the top edge of the Upper Back Panel (E). **Secure wires so they don't fall behind unit when attaching to the wall.**



light plug wires (20d)



The next steps are to assemble your unit to the wall



Assembled unit MUST be square on the height, width, and depth to function properly

Assembled unit MUST be placed flat against the wall

Assembled unit MUST be screwed into 3 DIFFERENT wall studs at the top and bottom for safety

Screws provided are for drywall and wood studs. If walls are masonry, concrete, or other wall materials: Use appropriate hardware to securely attach your unit to the wall

DO NOT use wall anchors to fasten your unit to the wall

Relocation isn't suggested after assembly!

STEP 27

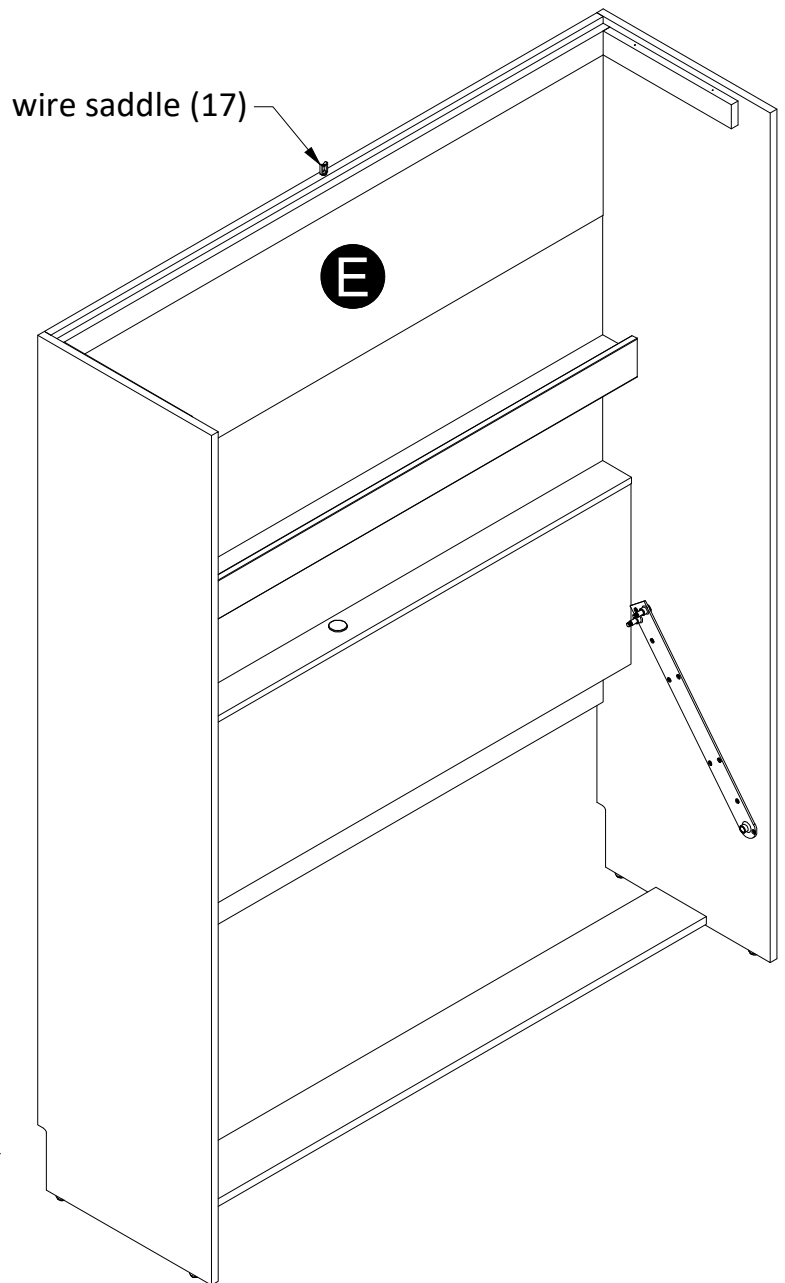


With the help of another person, place your unit **FLUSH** against the wall

Be sure the light plug wires (20d) are secure in the wire saddle (17) located on Upper Back Panel (E).

Do NOT cut into bed!

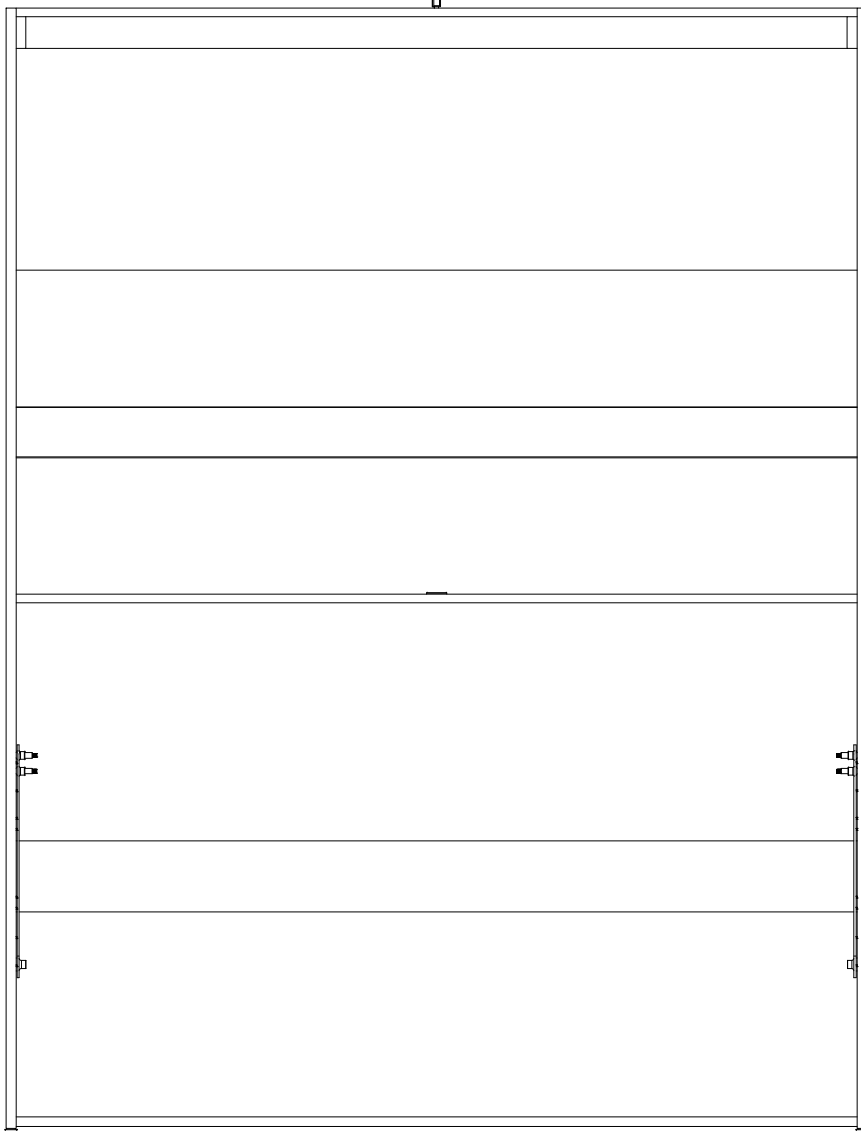
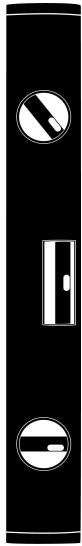
There are notches provided at the back of your unit. These notches are to fit around the baseboard on your wall. If your baseboard is higher or thicker than the notches provided on the unit, you will need to remove the baseboard, cut it down to fit on both sides of your unit, then refasten to the wall.



STEP 28



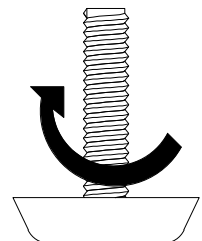
Assembled unit **MUST** be flush on the height, width, and depth to function properly



A step ladder will be required. Do not lean against the top of the unit, it may cause sagging



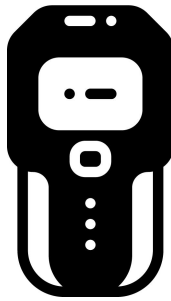
If required, unscrew the Glides counter-clockwise as necessary in all 4 corners until your unit is level in all directions



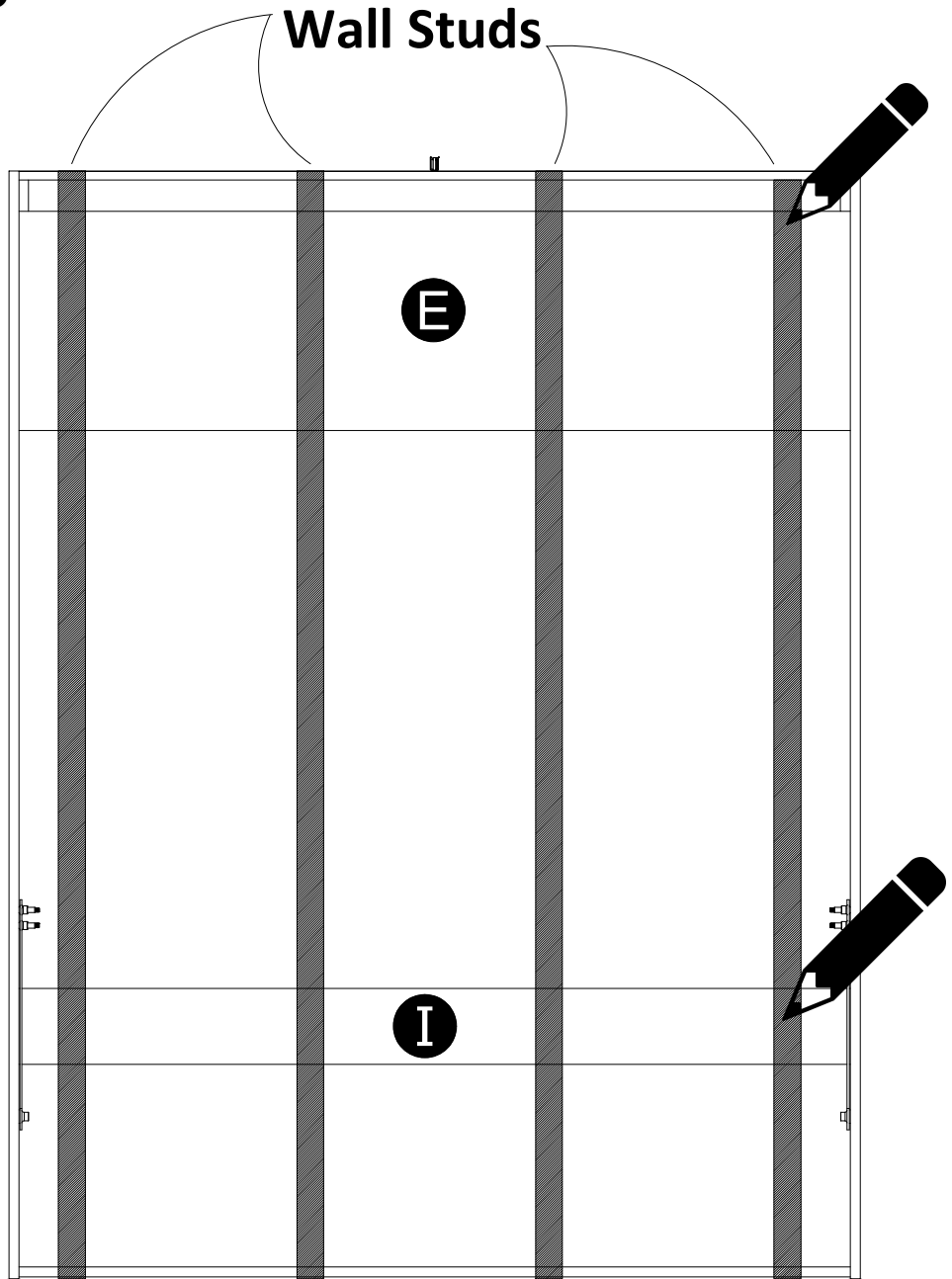
STEP 29



You need to locate at least 3 DIFFERENT studs, in the horizontal direction, but 4 is better.



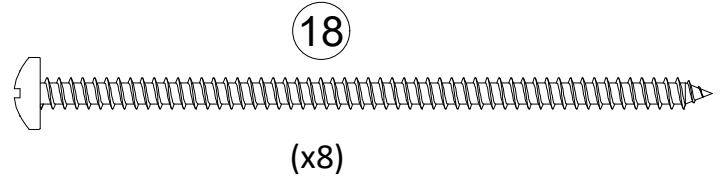
Locate the studs in the wall, using a stud finder. Using a pencil, mark the stud locations on the upper surface of the Upper Back Panel (E). Using a level, carry the stud locations down to the Bottom Stringer (I), and with a pencil, mark the stud locations.



A step ladder will be required. Do not lean against the top of the unit, it may cause sagging

Average distance between studs (16")

STEP 30

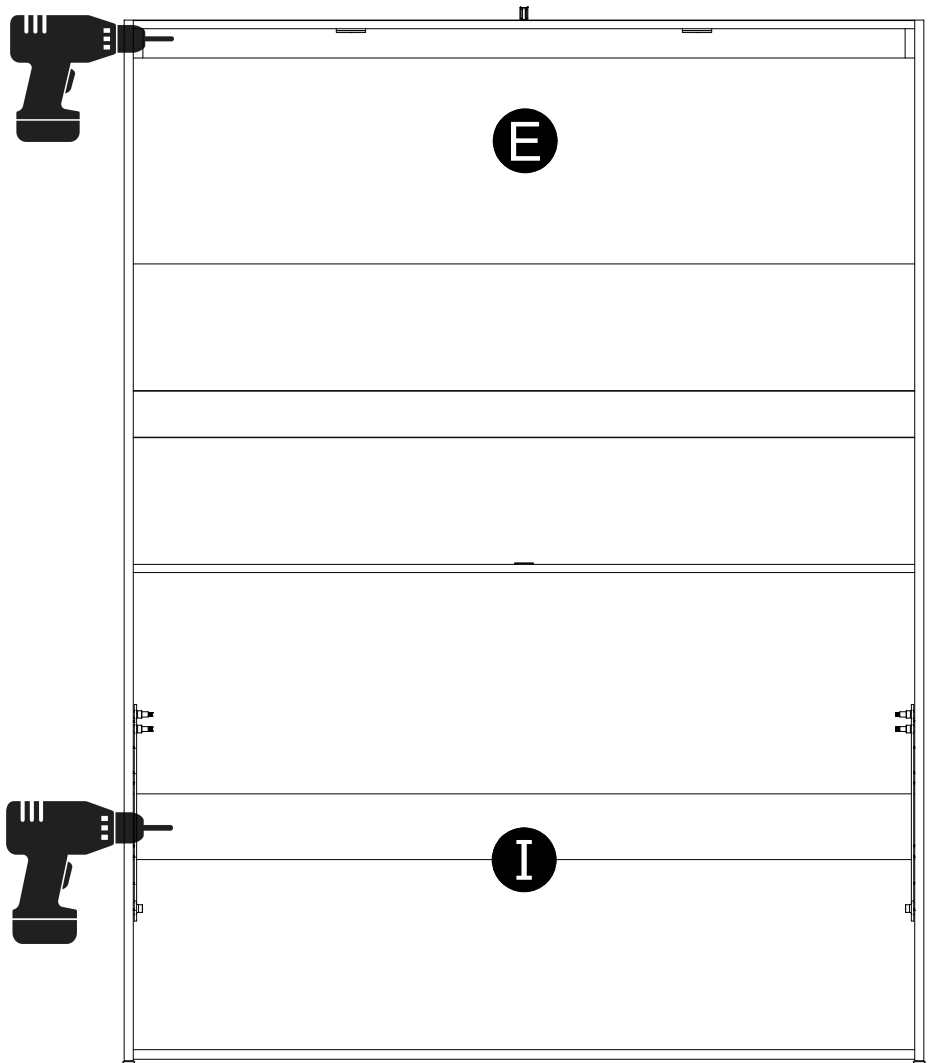


First, make sure that your unit is still level in all directions.

Drill 1/8" (3mm) pilot holes through the Upper Back Panel (E) and Bottom Stringer (I) at the stud locator marks. Fasten the unit to the studs in the wall with the screws (18).



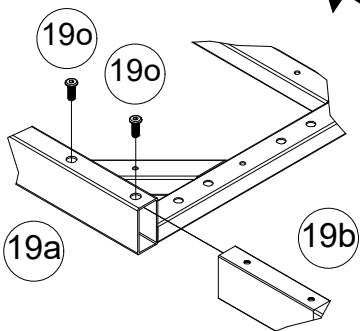
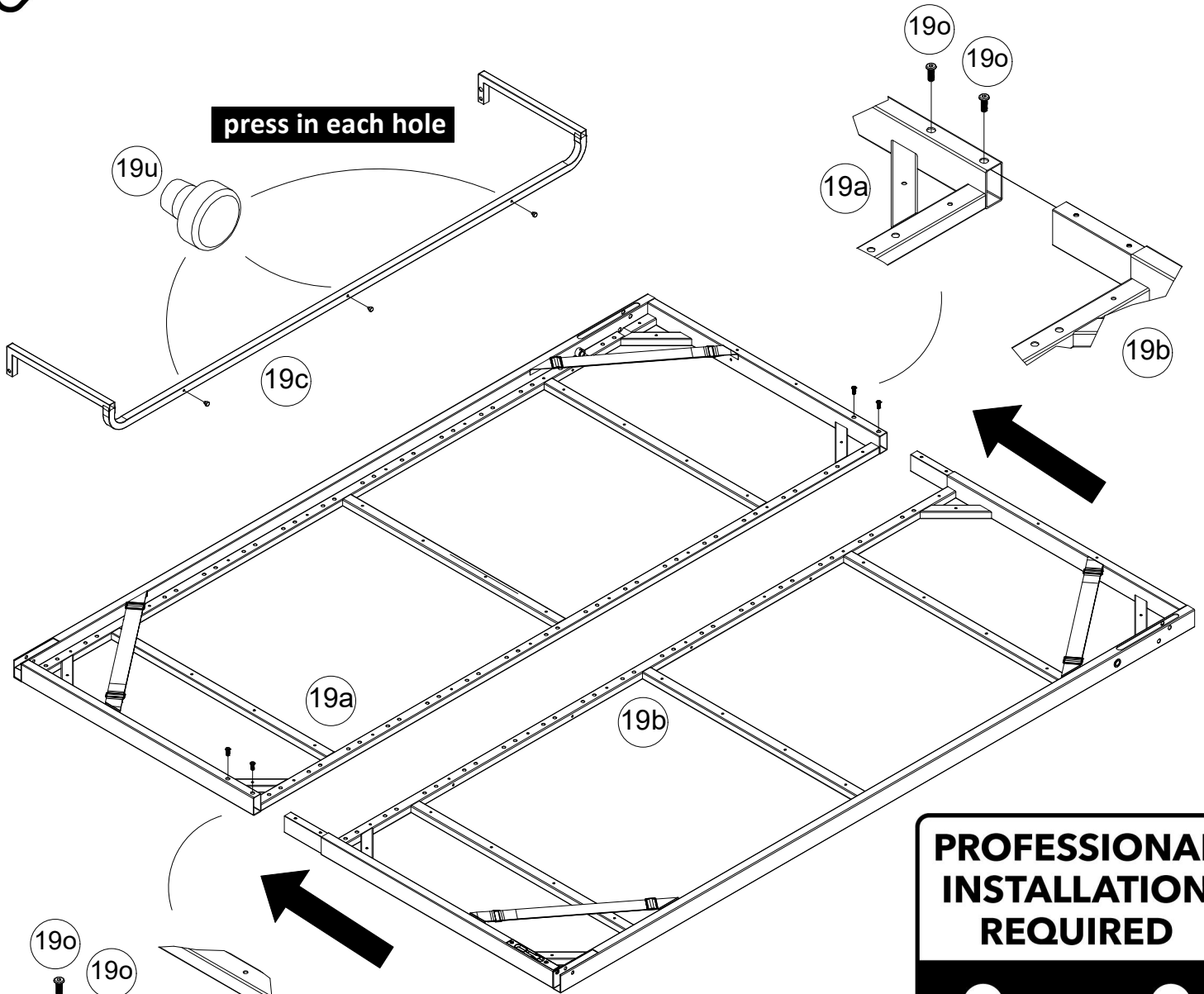
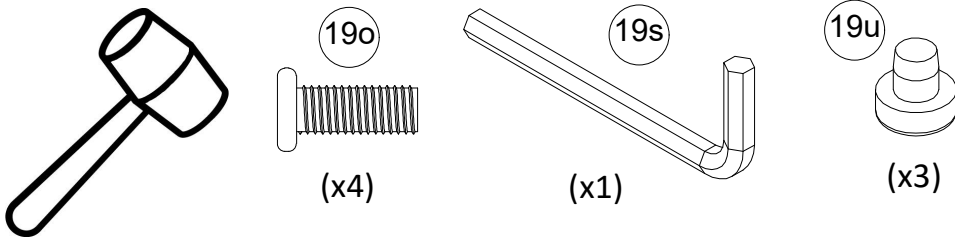
A step ladder will be required. Do not lean against the top of the unit, it may cause sagging



**The next steps are to assemble the metal bed
frame and mechanism**

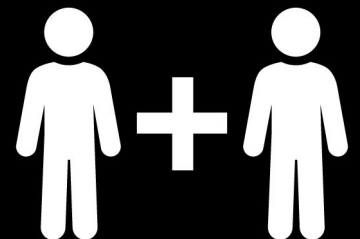
**These parts are located in the #9632096COM
Wall Bed Mechanism Carton**

STEP 31

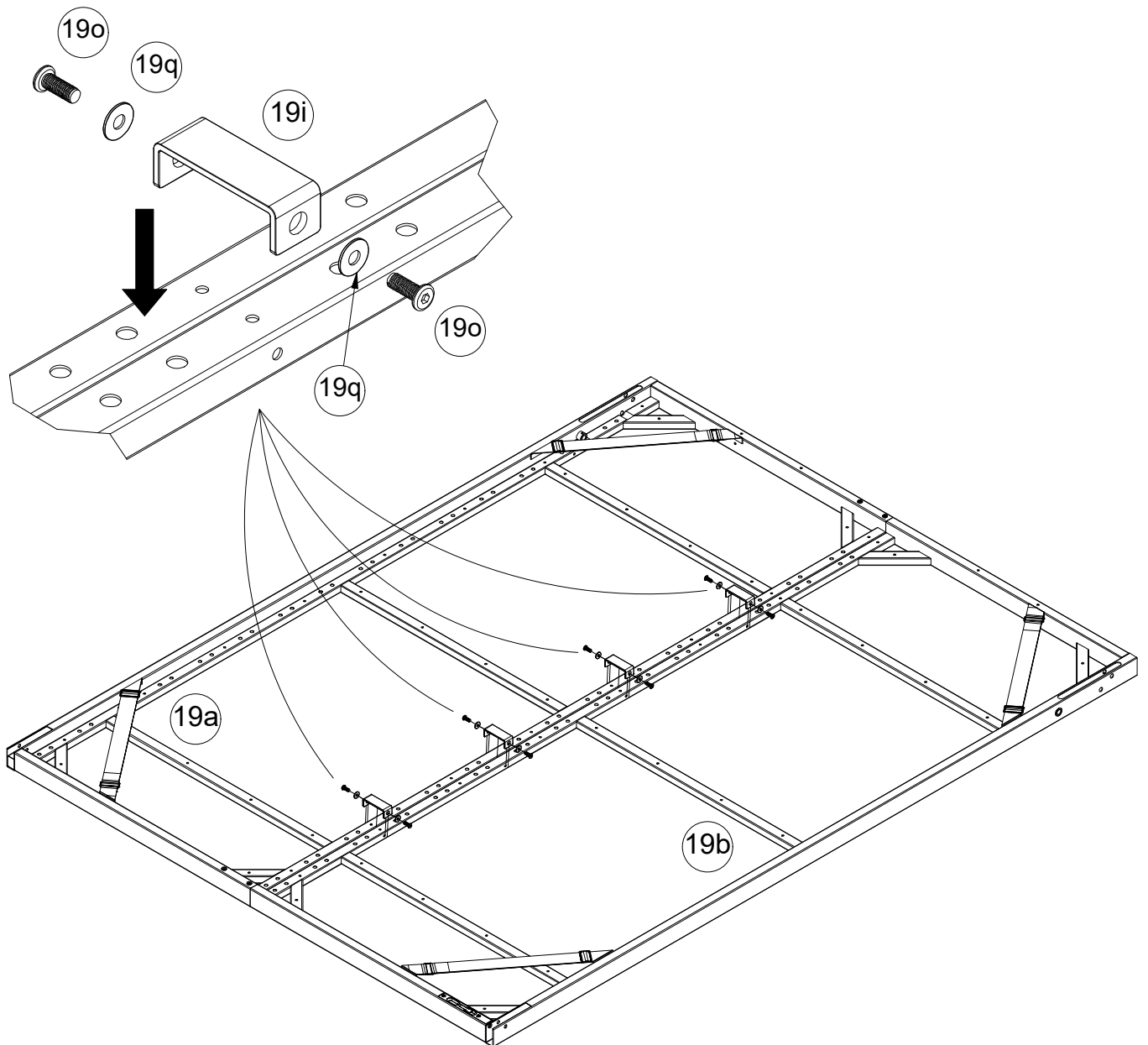
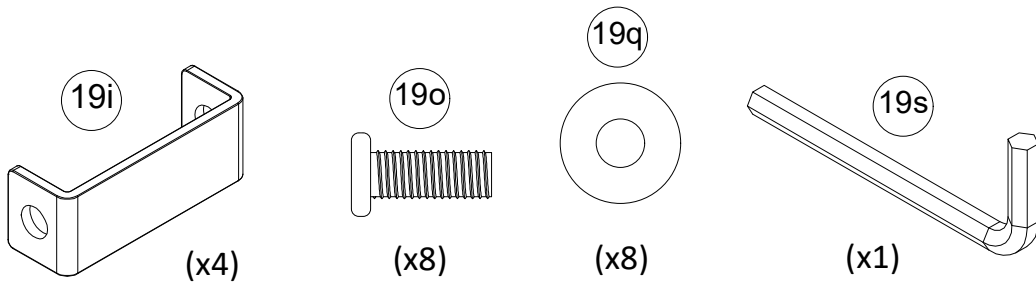


May need a rubber mallet

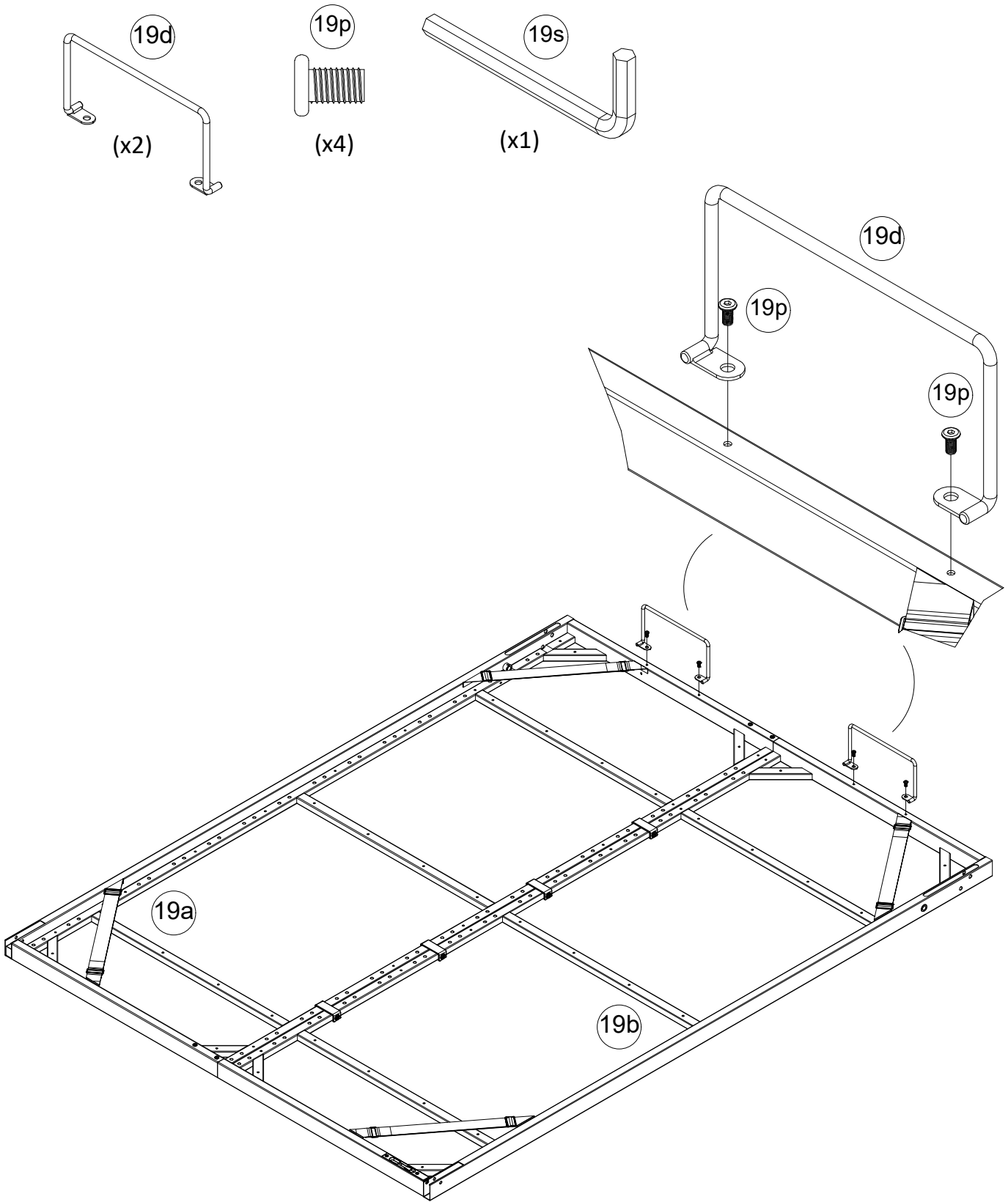
**PROFESSIONAL
INSTALLATION
REQUIRED**



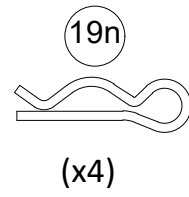
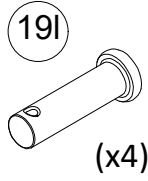
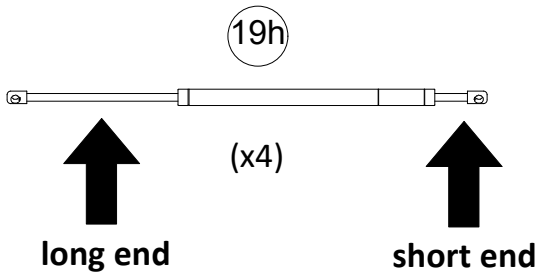
STEP 32



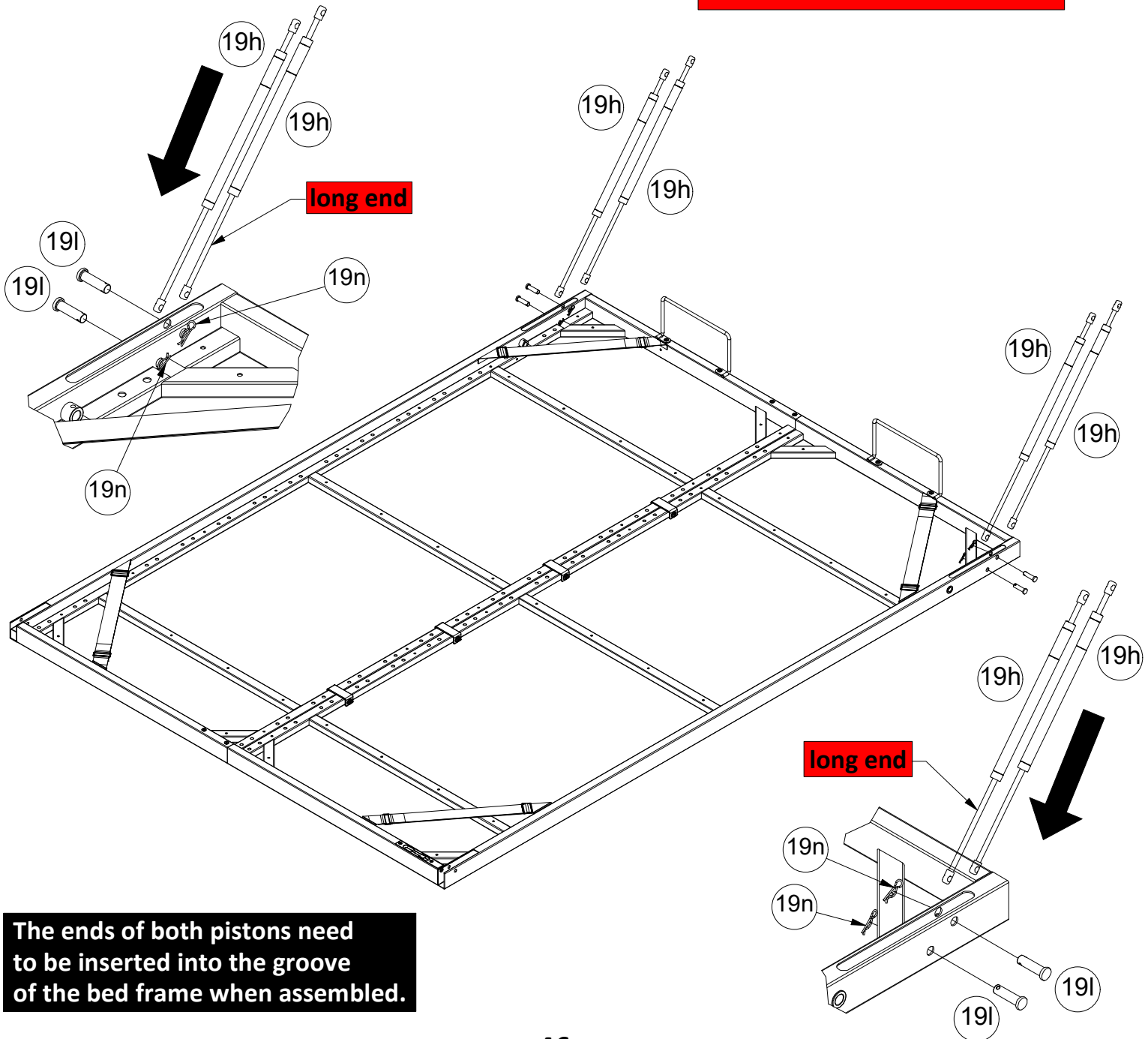
STEP 33



STEP 34

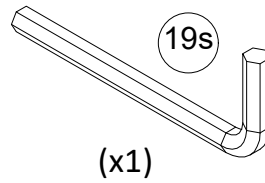
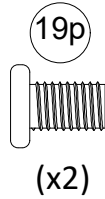
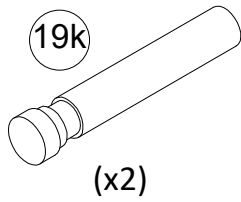
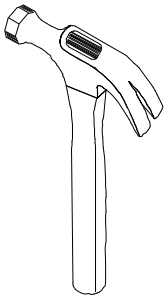


The "long" end of each piston is to be fastened to the frame



The ends of both pistons need to be inserted into the groove of the bed frame when assembled.

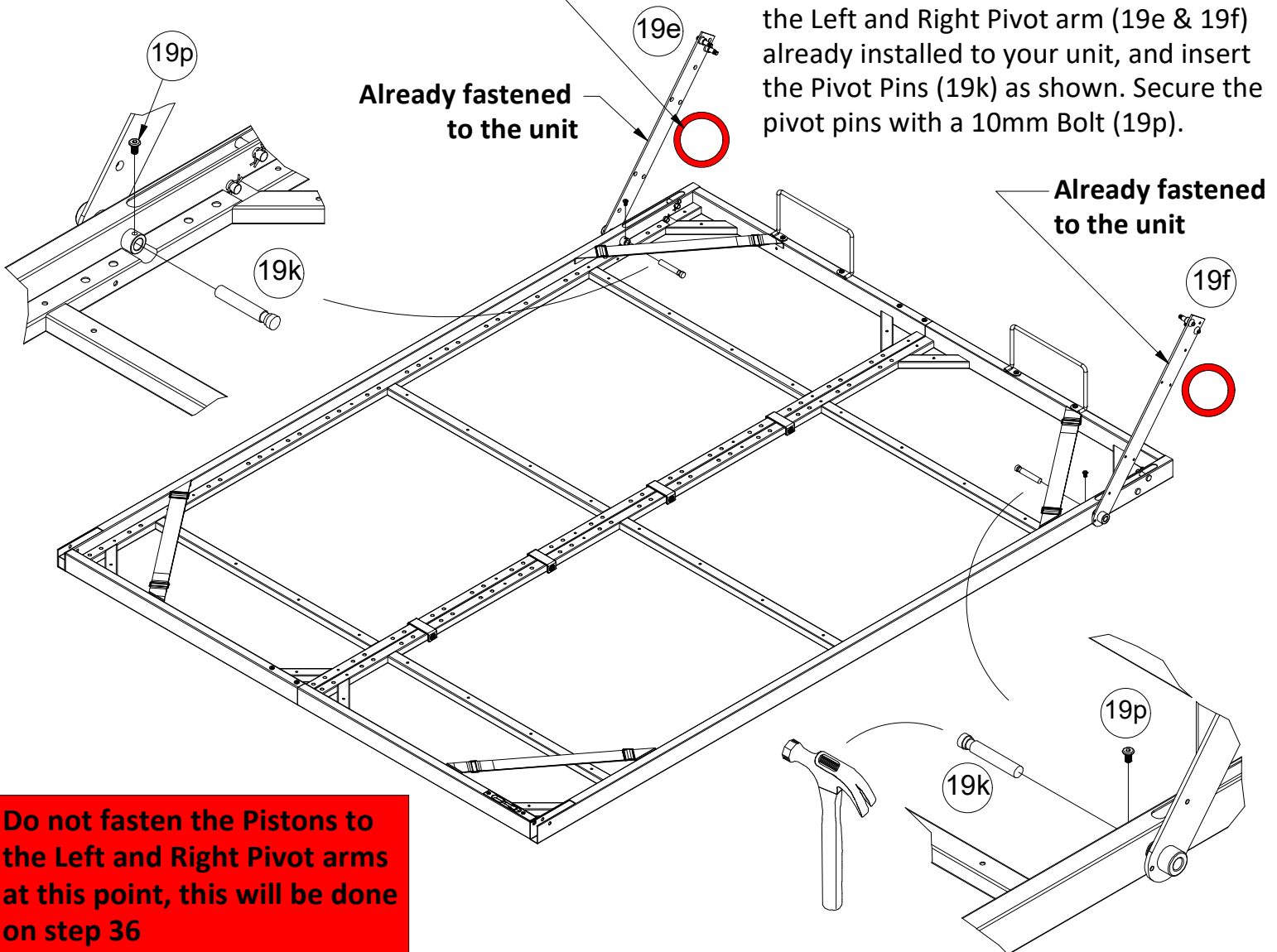
STEP 35



The cabinet is not shown to allow a clear view of the bed frame assembly

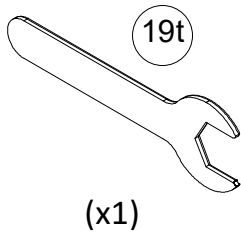
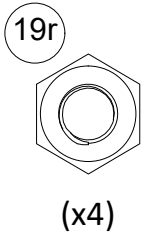
Pistons have been removed from image to better view step

With a person on each side, lift the bed mechanism, line up the holes of the Bed Assembly with the large bushing hole of the Left and Right Pivot arm (19e & 19f) already installed to your unit, and insert the Pivot Pins (19k) as shown. Secure the pivot pins with a 10mm Bolt (19p).



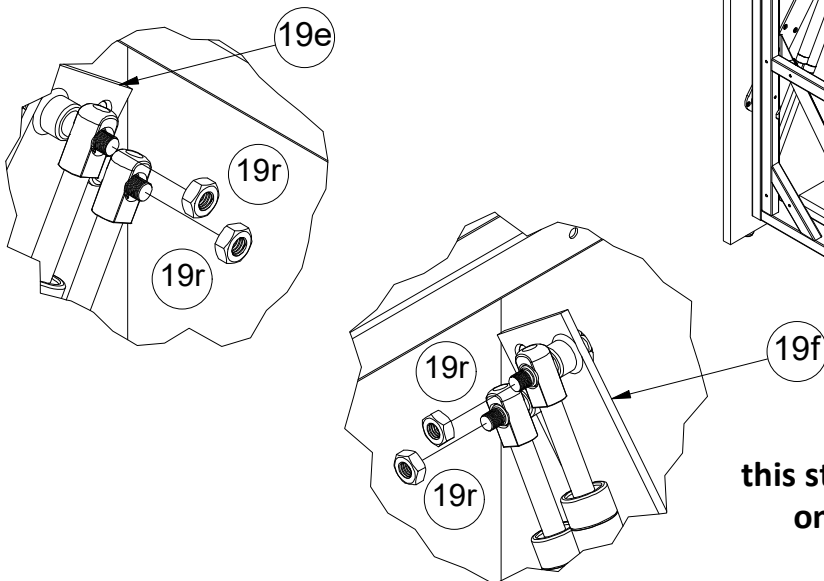
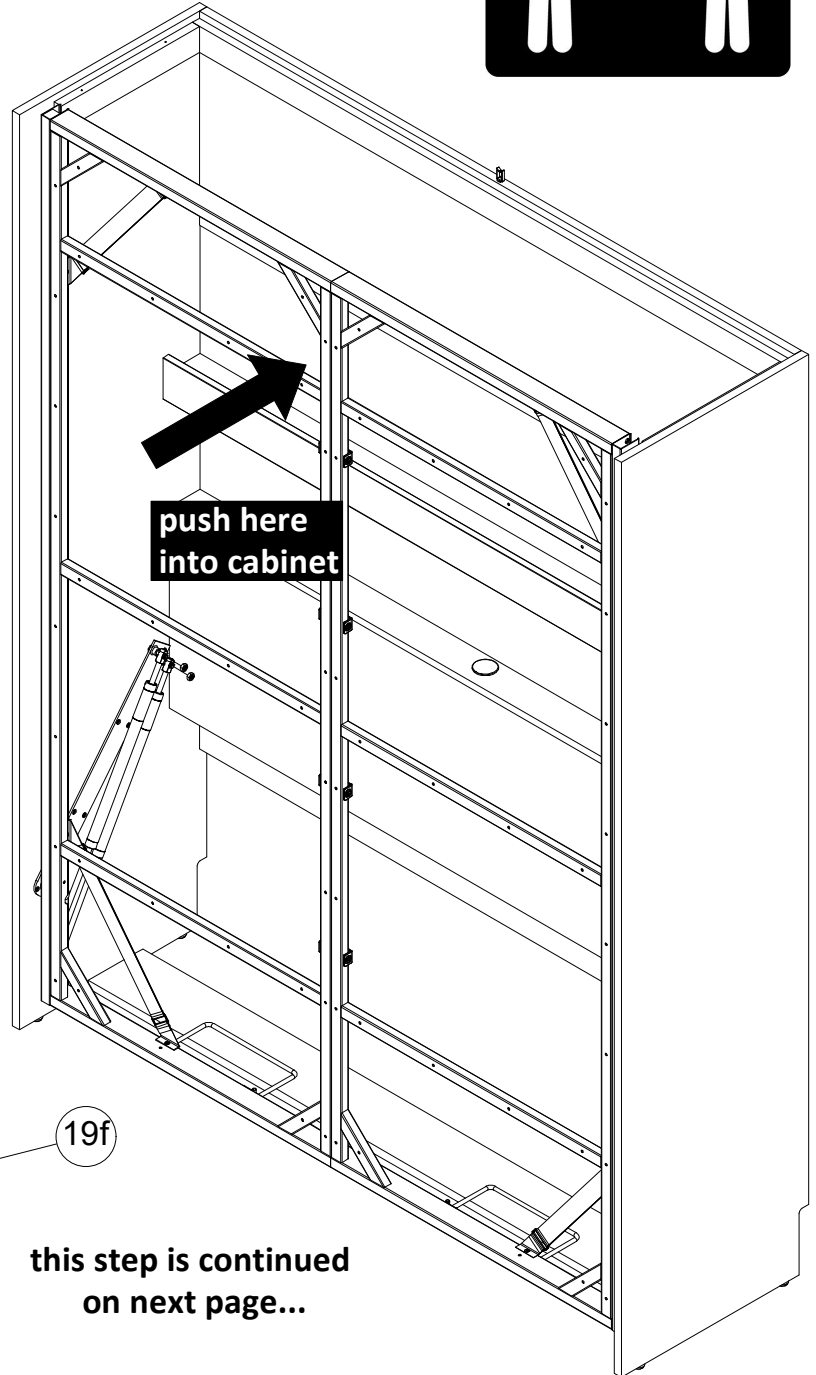
Do not fasten the Pistons to the Left and Right Pivot arms at this point, this will be done on step 36

STEP 36



With a person on each side, carefully lift the bed frame in the closed position. While one person pushes the bed frame into the cabinet, passed the 90 degrees, the other person is to engage the "front" Gas Piston (19h) on each side of the unit, to the front pin of the Left and Right Pivot Arm (19e & 19f). Then tightly secure with two Nuts (19r).

To engage the "rear" Gas Piston (19h) on each side of the unit, slowly and carefully wiggle the bed frame back and forth until you can insert the Gas Pistons (19h) onto the rear pin of the Left and Right Pivot Arm (19e & 19f). Then tightly secure with two Nuts (19r).



this step is continued on next page...

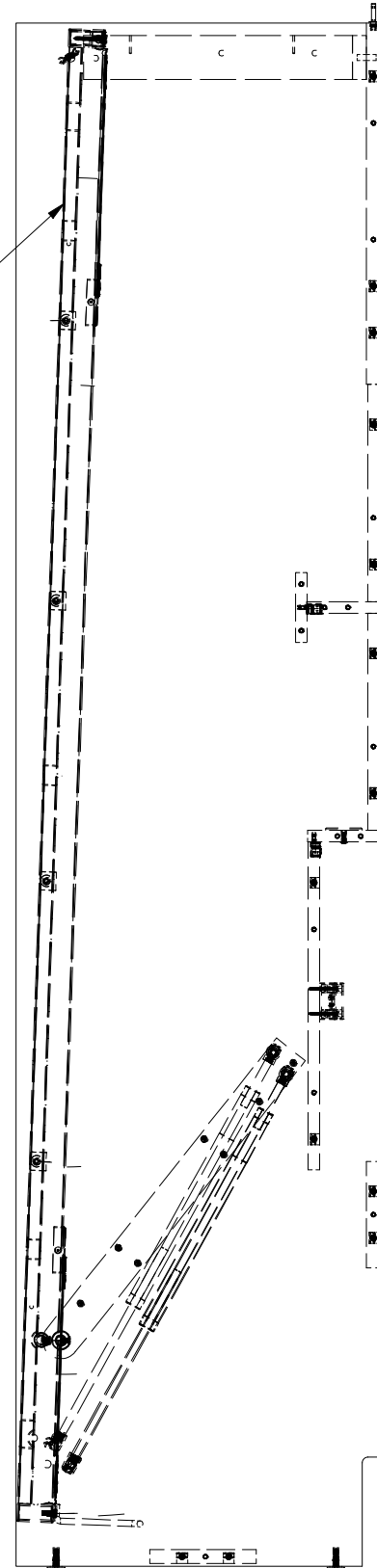
STEP 36 continued...



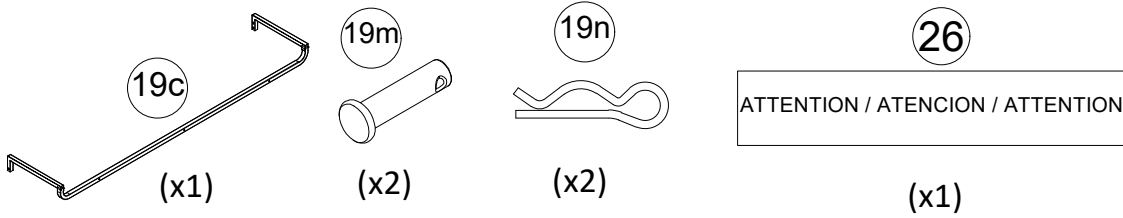
passed 90 degrees

Image is showing the bed frame pushed into the cabinet, passed 90 degrees.

Please note: it is normal to see the bed frame in this state prior to the gas pistons being installed.

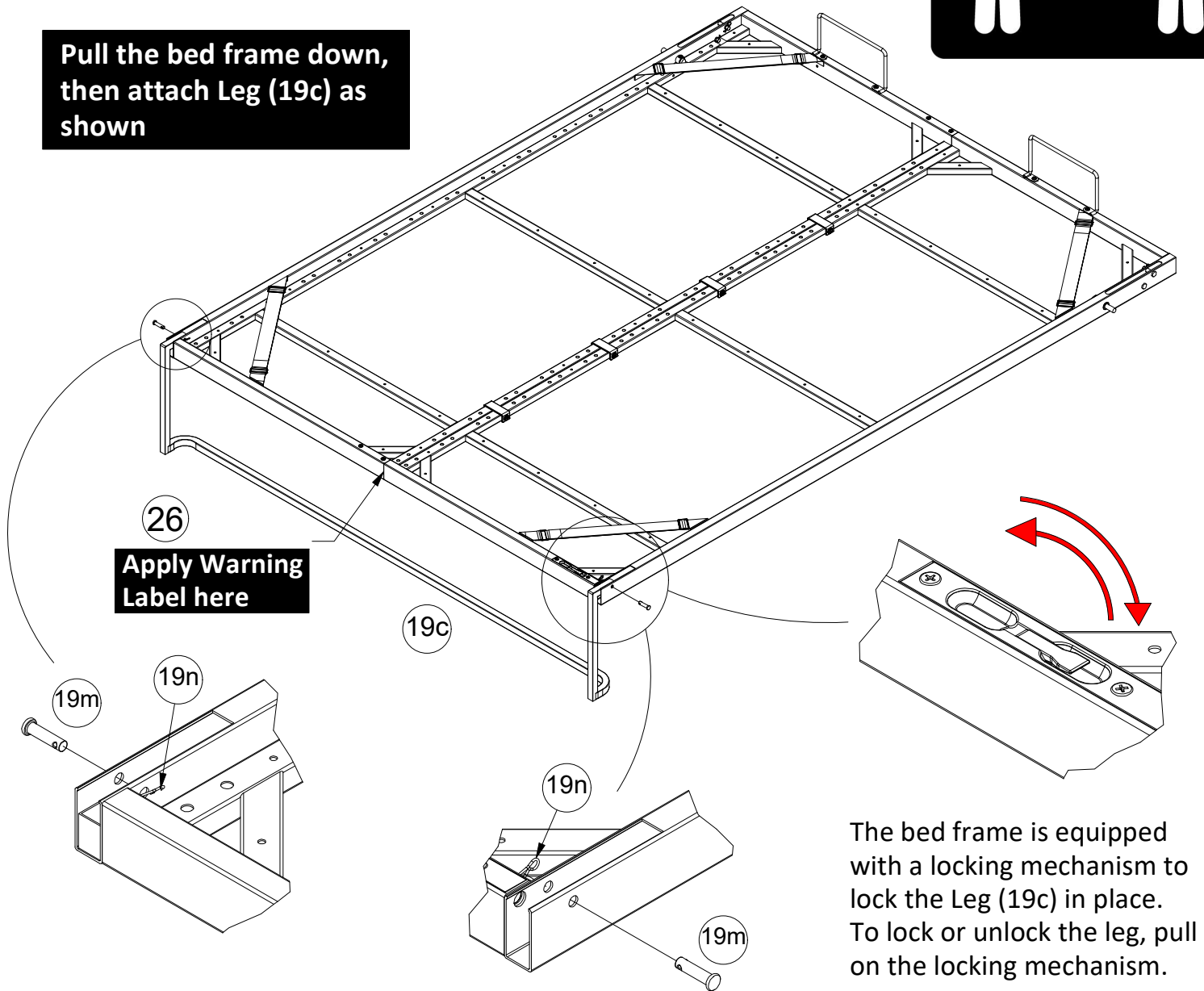


STEP 37



The cabinet is not shown to allow a clear view of the bed frame assembly

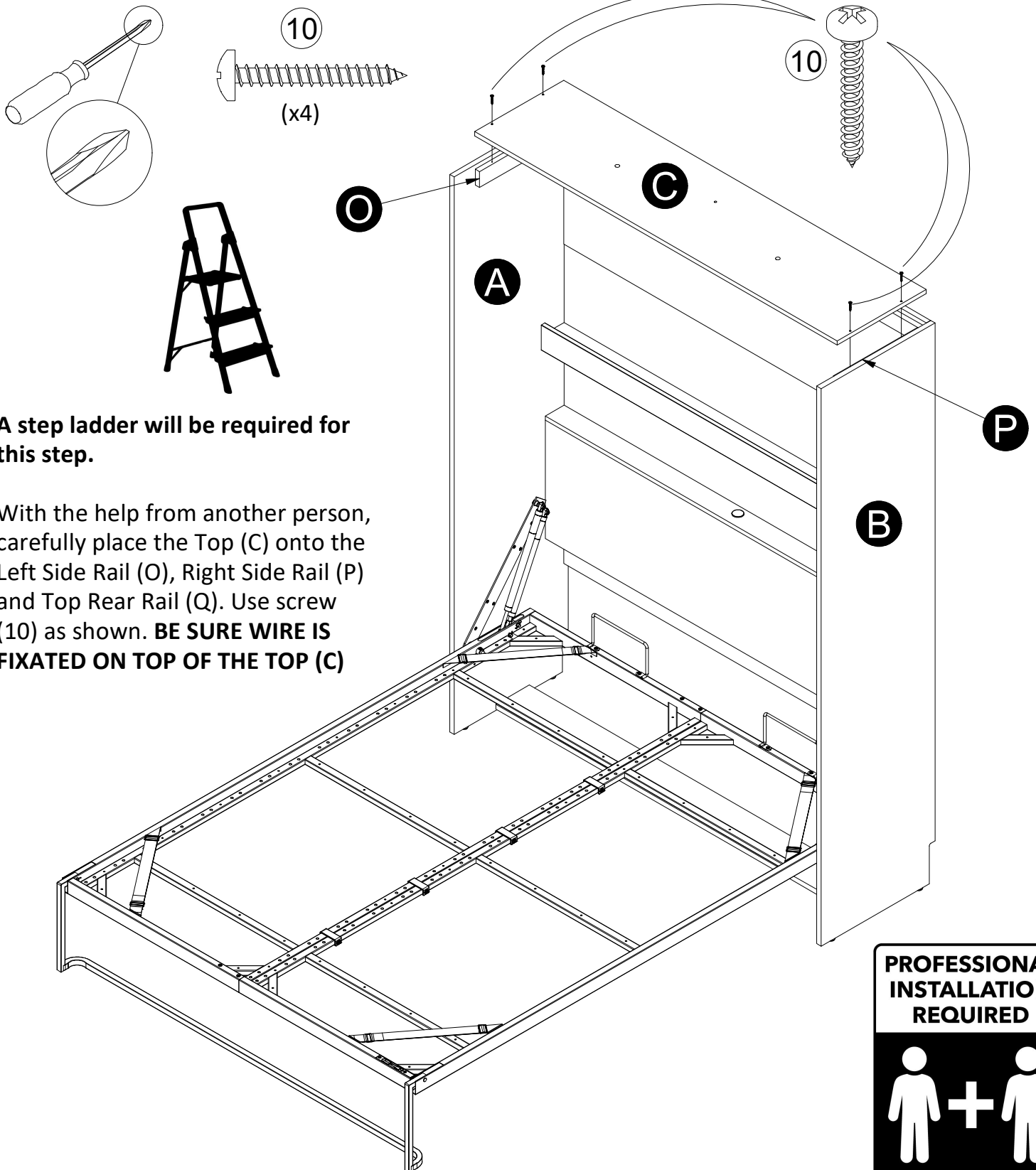
Pull the bed frame down, then attach Leg (19c) as shown



The bed frame is equipped with a locking mechanism to lock the Leg (19c) in place. To lock or unlock the leg, pull on the locking mechanism.

STEP 38

Mr. Kate®

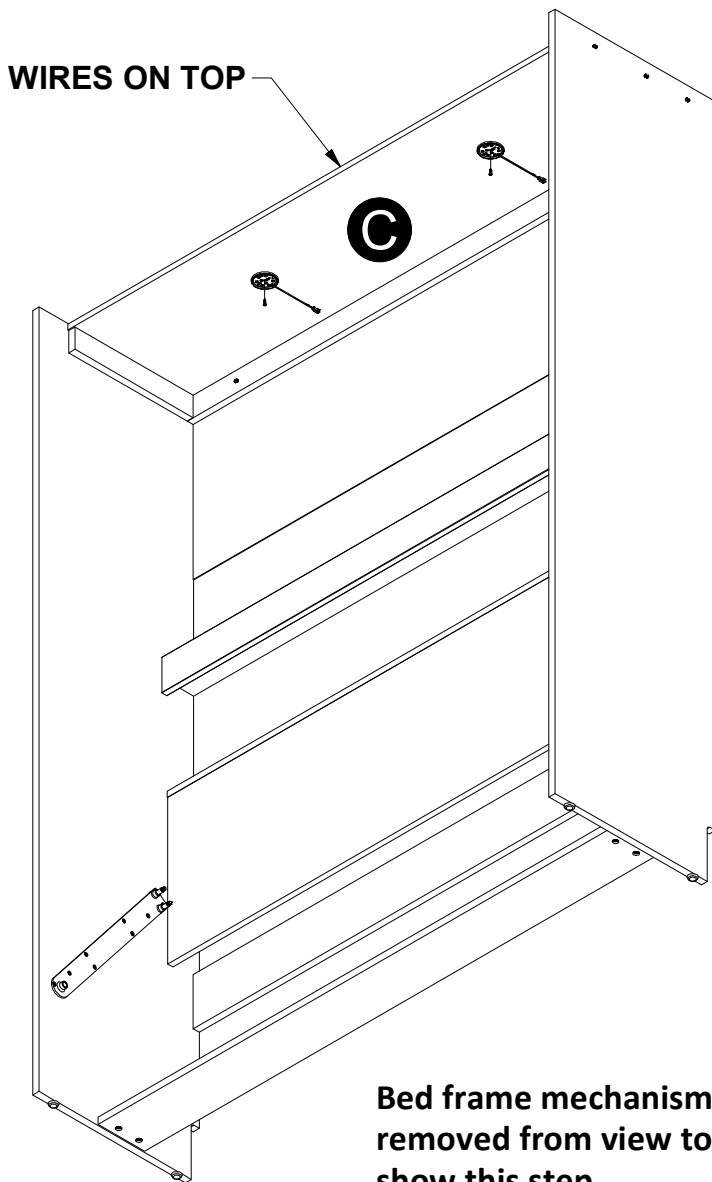
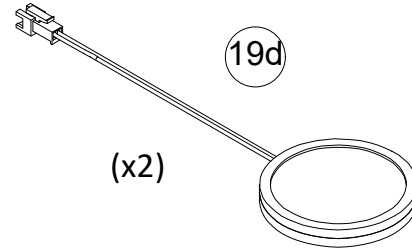
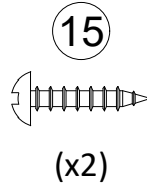
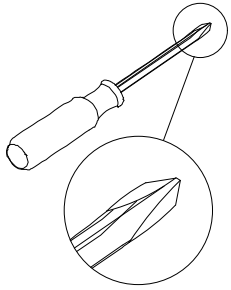


A step ladder will be required for this step.

With the help from another person, carefully place the Top (C) onto the Left Side Rail (O), Right Side Rail (P) and Top Rear Rail (Q). Use screw (10) as shown. **BE SURE WIRE IS FIXATED ON TOP OF THE TOP (C)**

**PROFESSIONAL
INSTALLATION
REQUIRED**

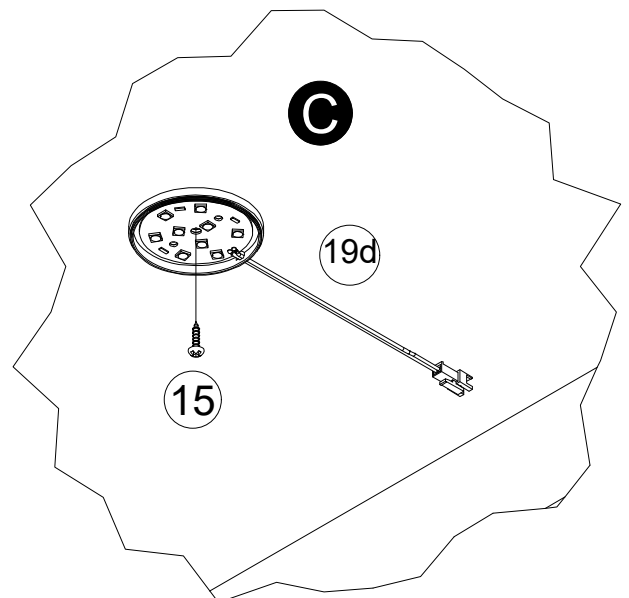
STEP 39



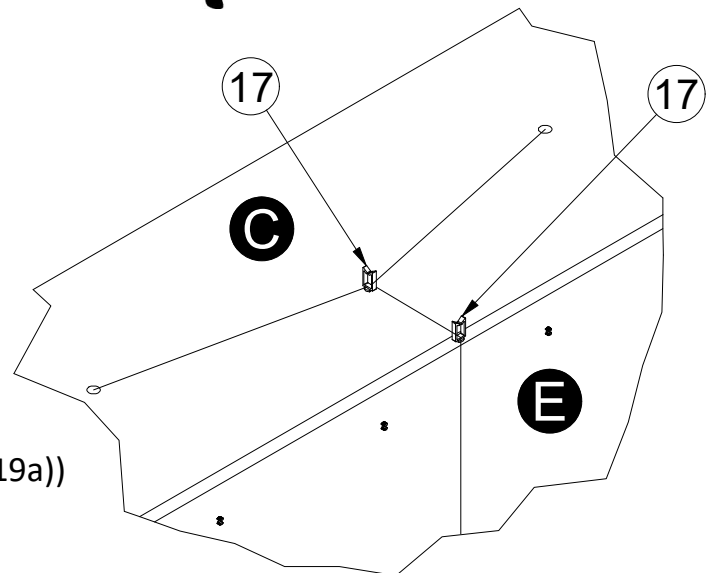
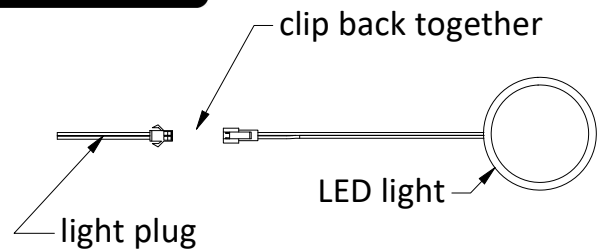
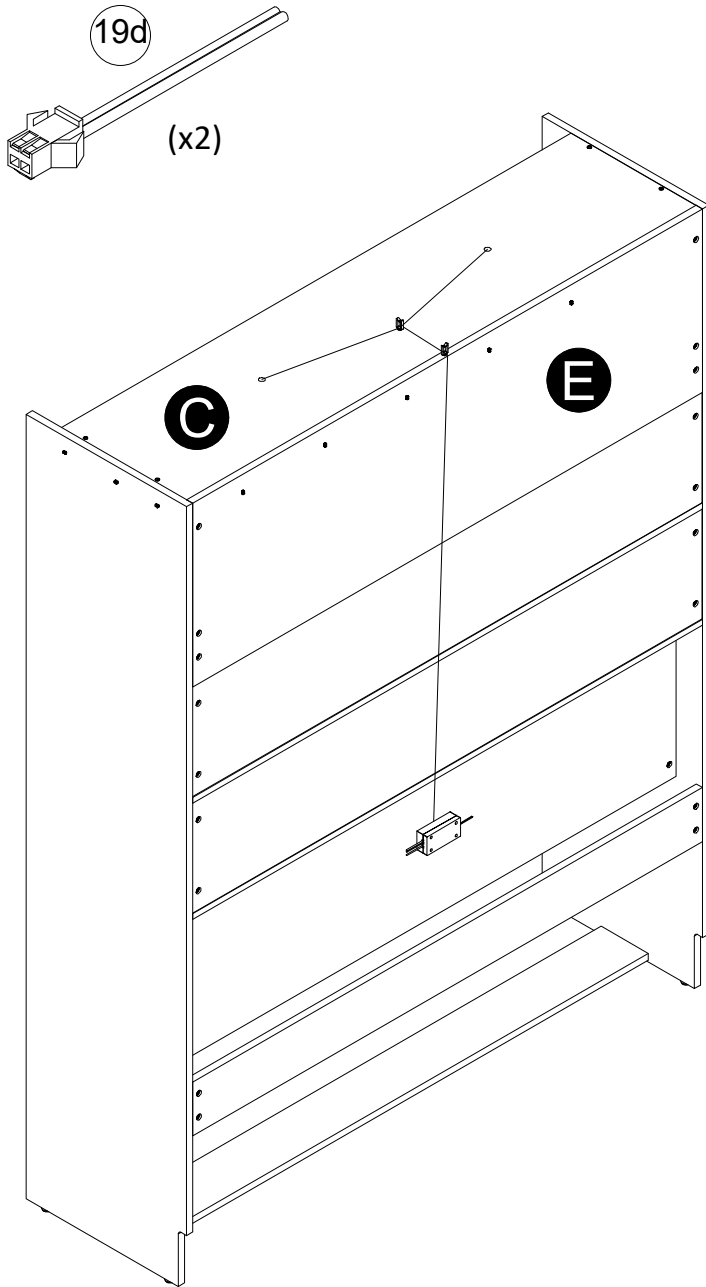
WIRES ON TOP

Bed frame mechanism is removed from view to better show this step

A step ladder will be required for this step. With the help of another person, assemble the disassembled LED lights (19d) to the Top (C) with screw (15). Thread the LED lights (19d) wires through the holes provided in Top (C) to allow the wires to be placed on top of the Top (C).



STEP 40

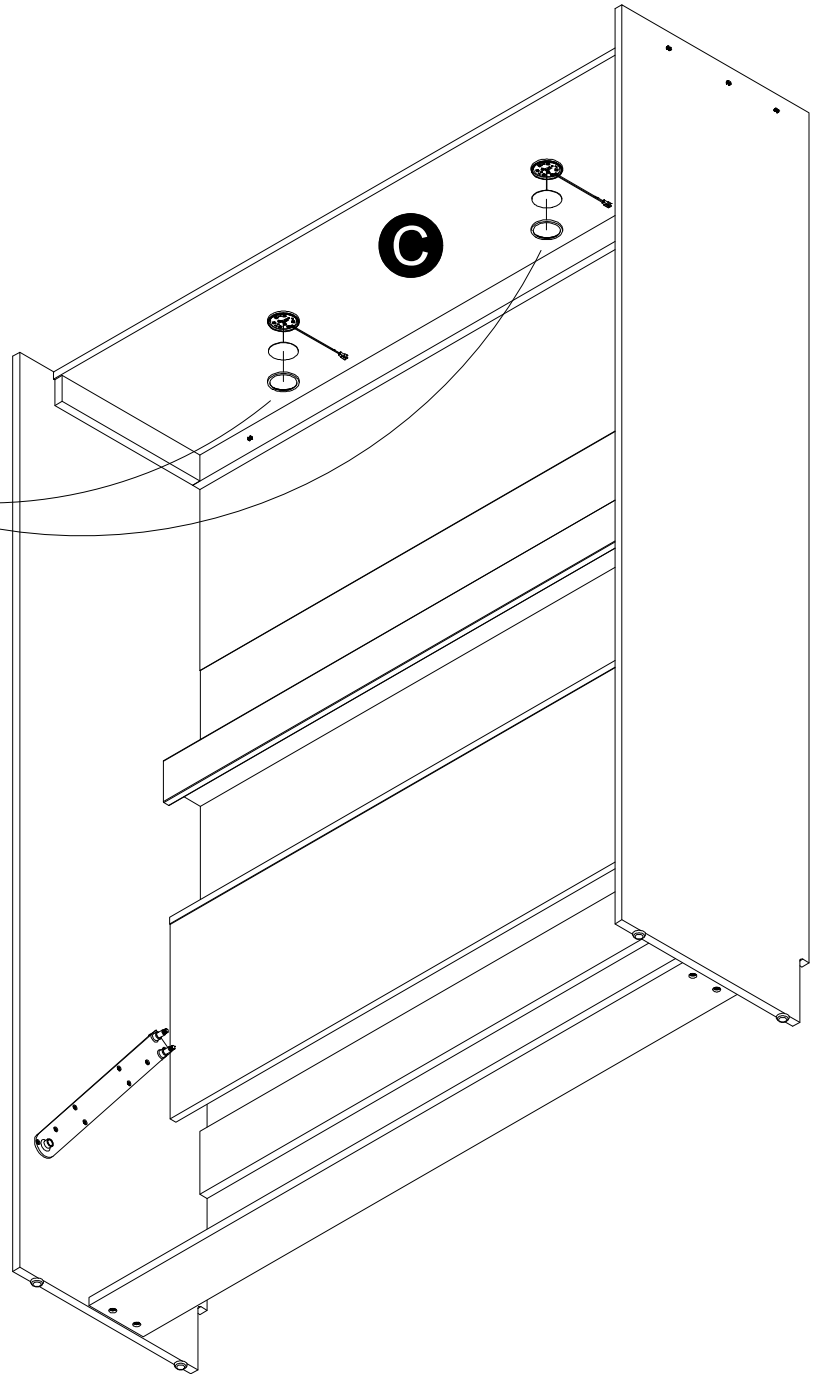
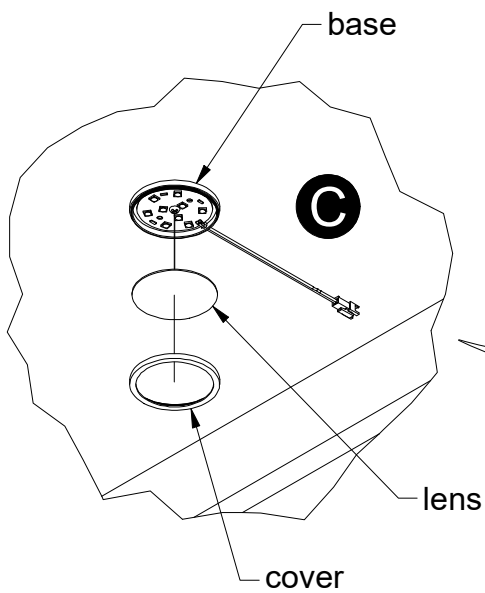


With the help of another person, feed the LED light wires through the wire saddle (17) in the Top (C) and through the one on the top edge of the Upper Back Panel (E) if needed. Clip the Light Plugs (19d) (that is fixated into the transformer (19a)) back into the LED light wires.

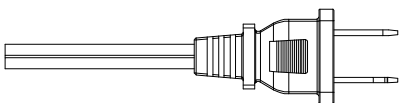
STEP 41



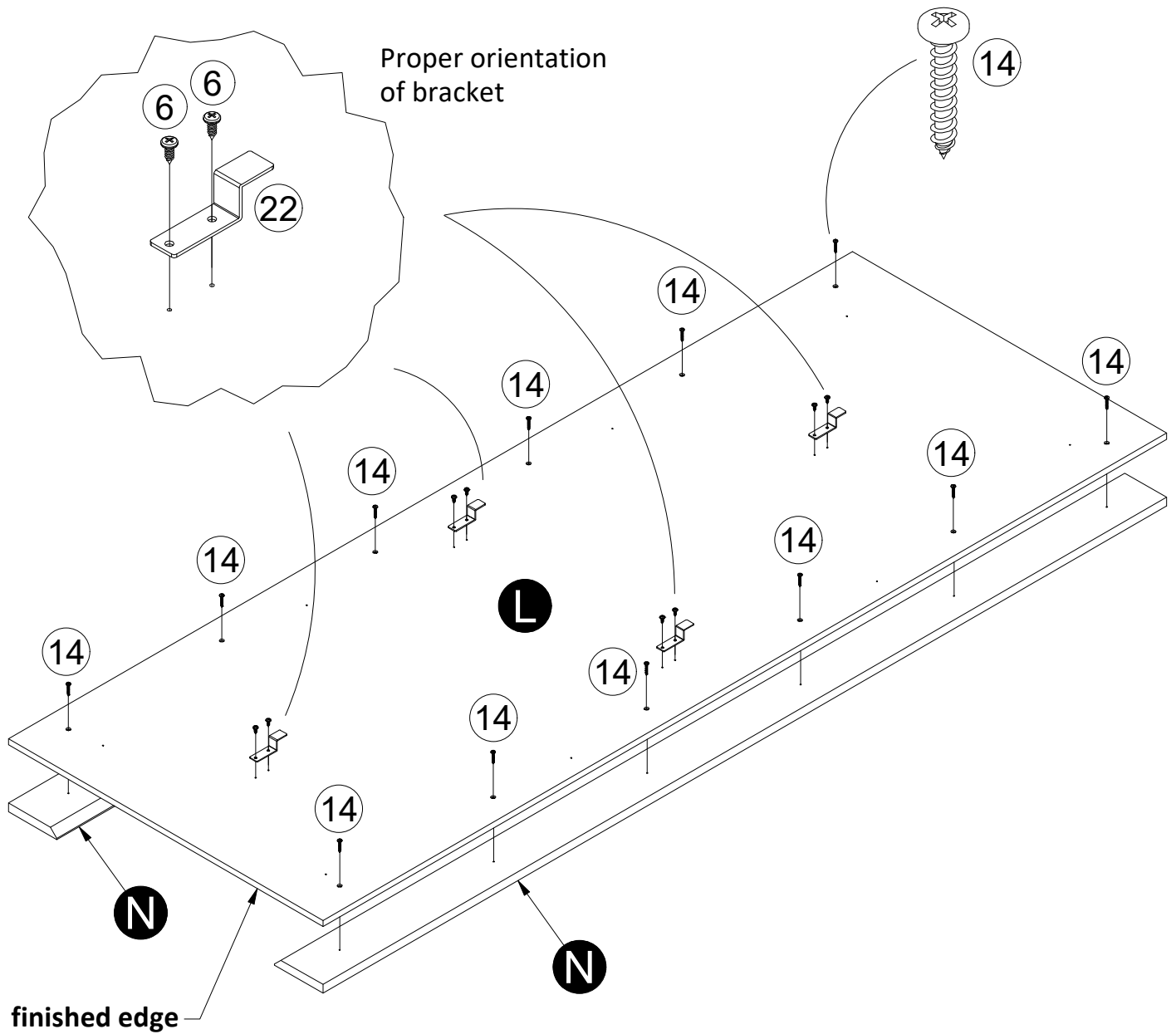
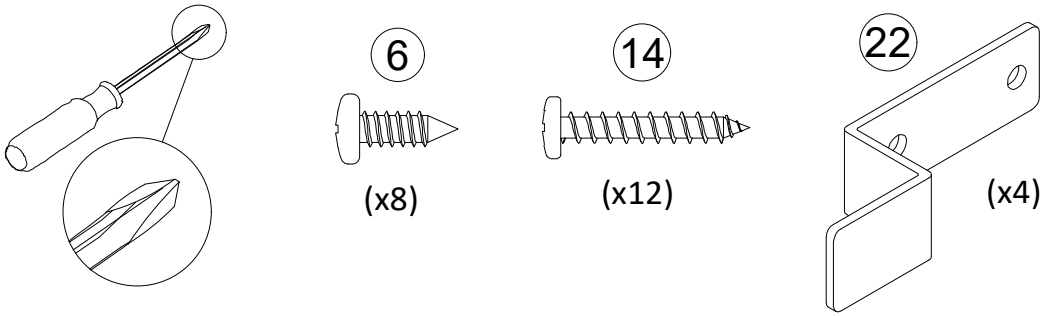
A step ladder will be required for this step. With the help of another person, assemble the LED lights back together. First placing the lens into the base and then screwing the cover back to the base as shown below.



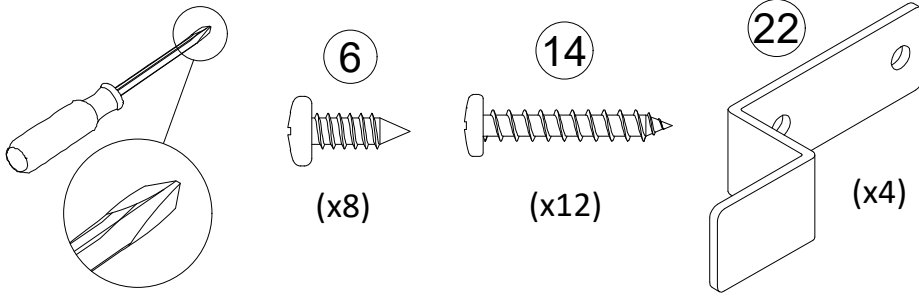
Adjust any wires necessary as needed. Assure the Power Supply Plug is threaded where the attended power outlet is located. Plug into outlet and assure the LED Light (20) and Touch Sensor Disk (21) are working properly.



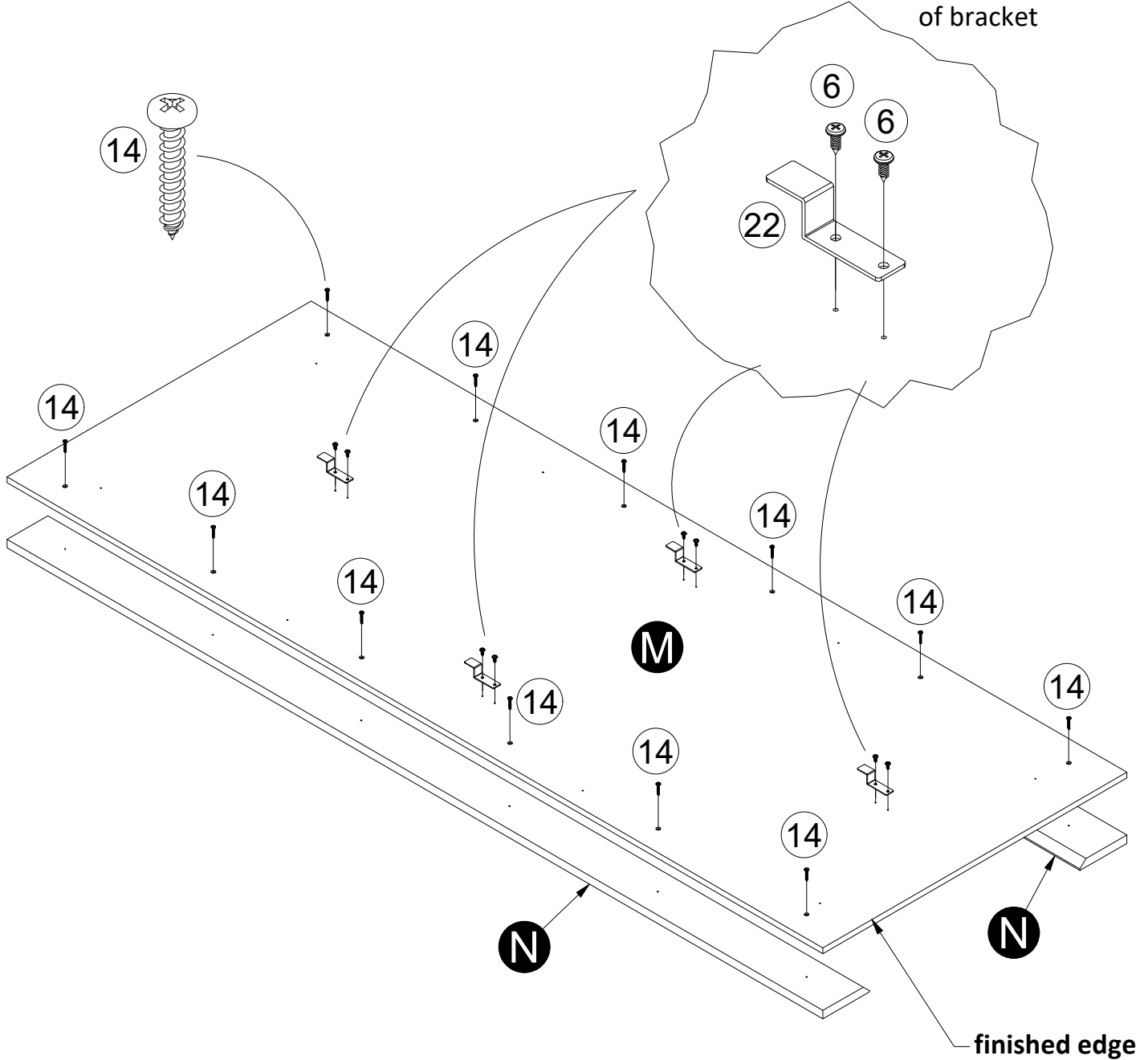
STEP 42



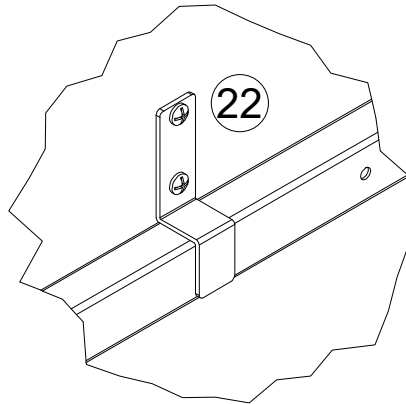
STEP 43



Proper orientation of bracket



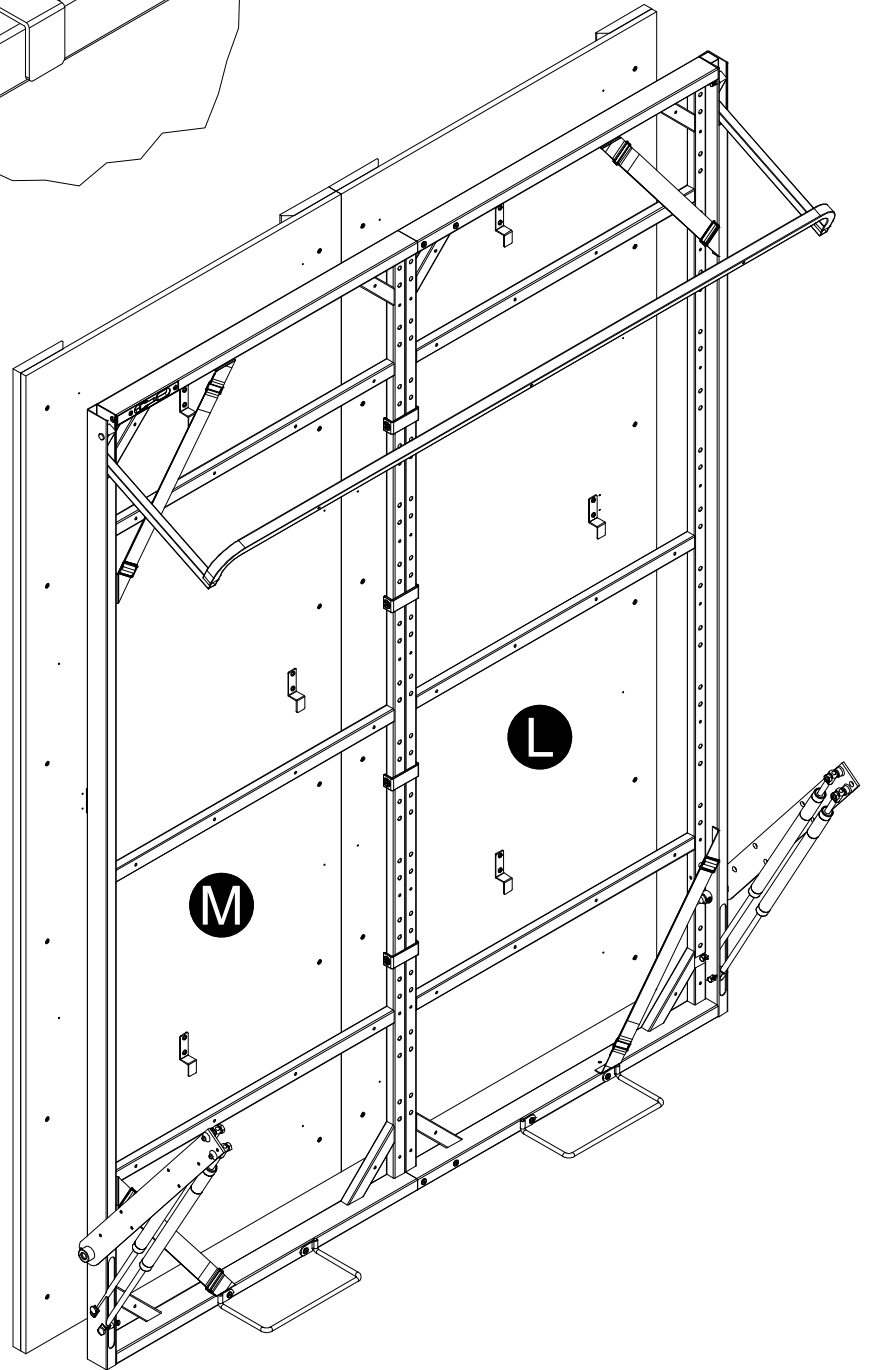
STEP 44



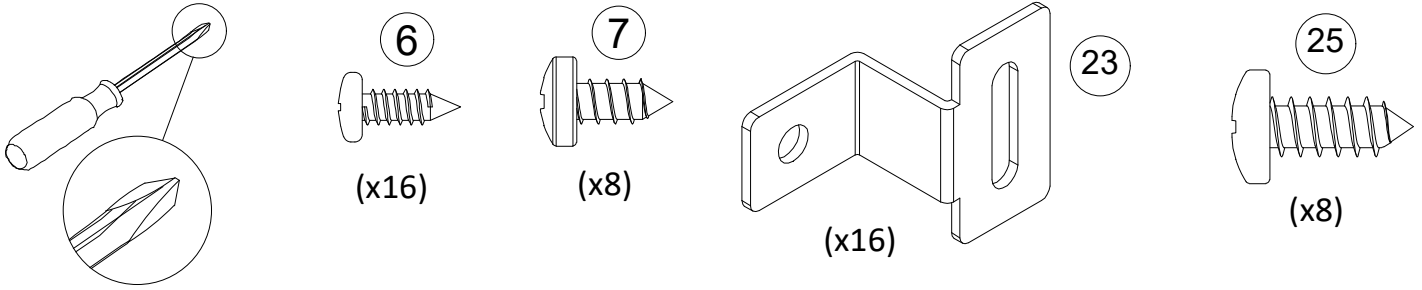
With help from another person, lift the assembled Left Door Panel (L), position the brackets (22) over the three support rails of the bed frame, and drop into position. Repeat the procedure for the Right Door Panel Assembly (M).

IMPORTANT:
First, unlock and flip the leg into the cabinet. Then, lower the bed frame down a bit to allow clearance to hook Door Panel Assemblies (L & M).

The cabinet is not shown to allow a clear view of the bed frame assembly.

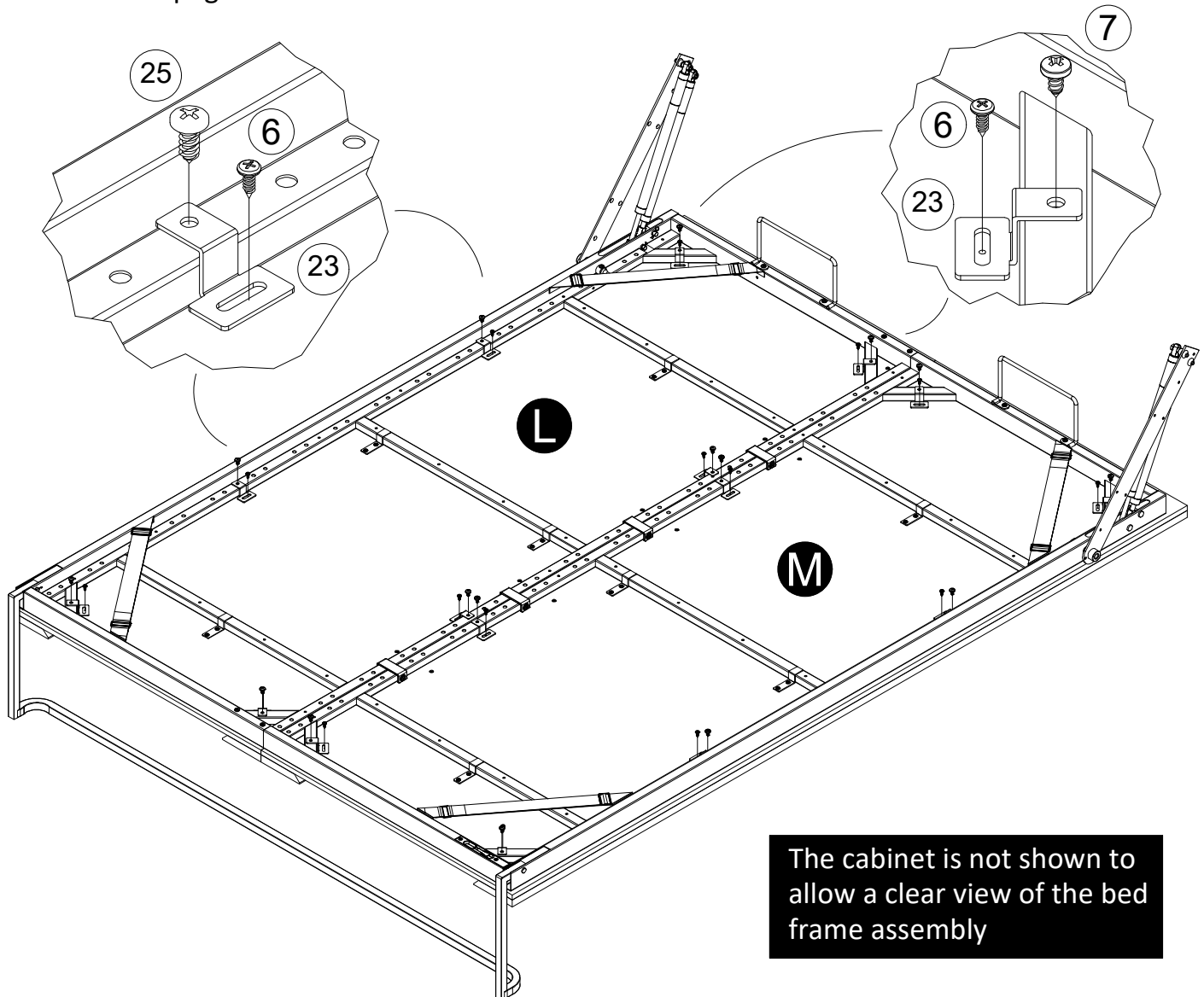


STEP 45



With the help of another person, carefully pull open the bed frame.

Align the entire assembly so that the edges are lined up with the bed frame and push up against the leg. This will set the top gap. Then fasten the panels to the bed frame with the brackets (23). Refer to next page for bracket locations.



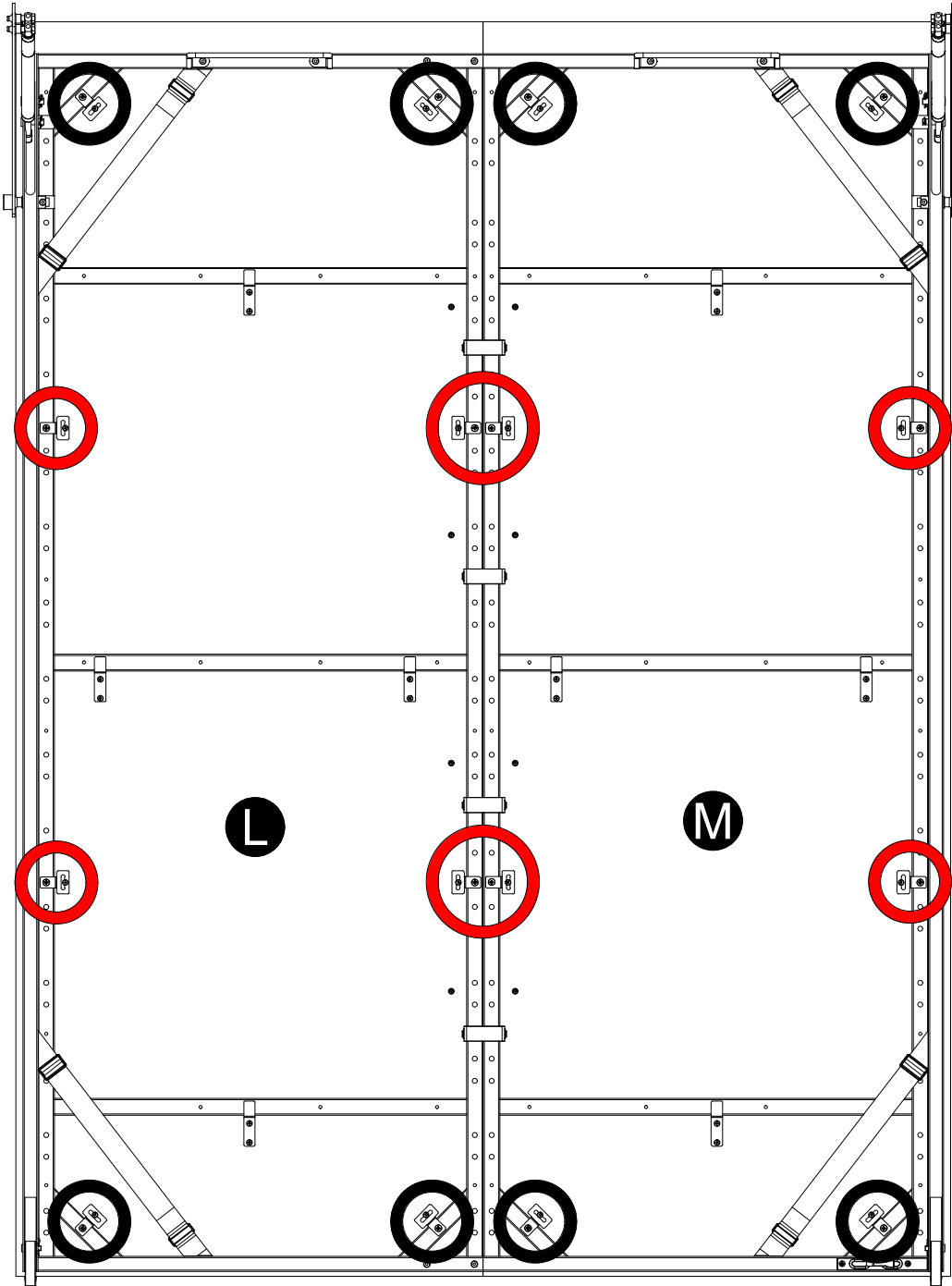
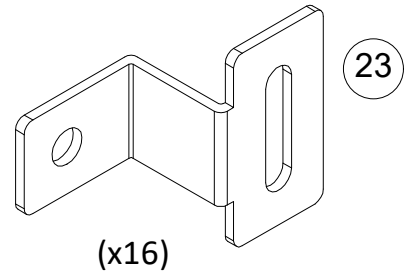
The cabinet is not shown to allow a clear view of the bed frame assembly

STEP 45 continued...

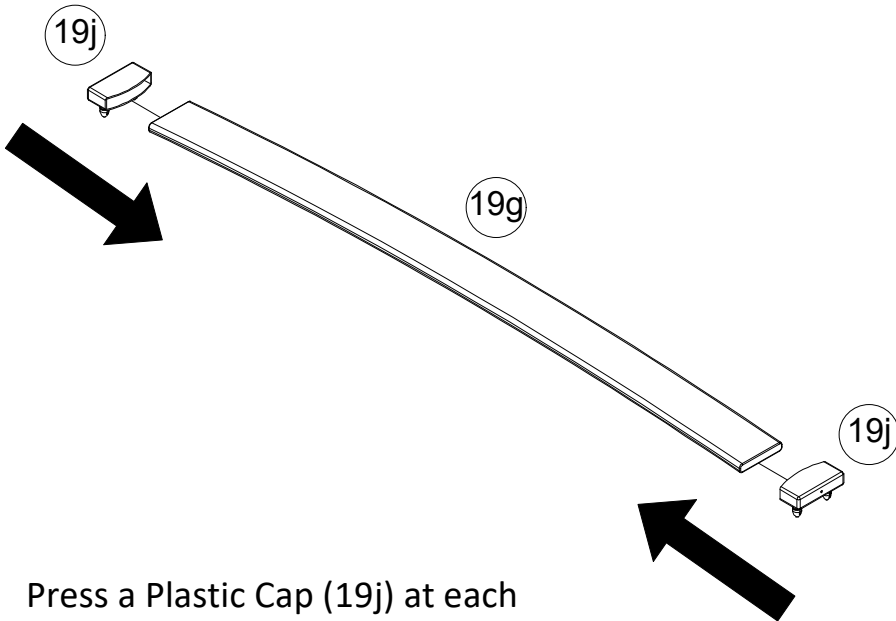
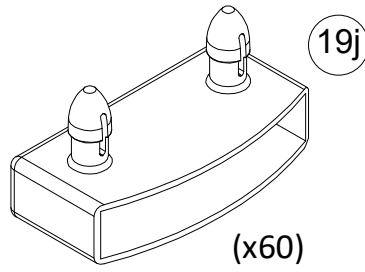
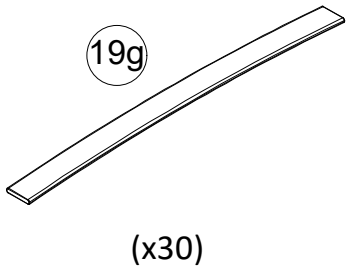
View is looking from the top... showing location of brackets (23).

BLACK CIRCLES - USE SCREWS 6 & 7

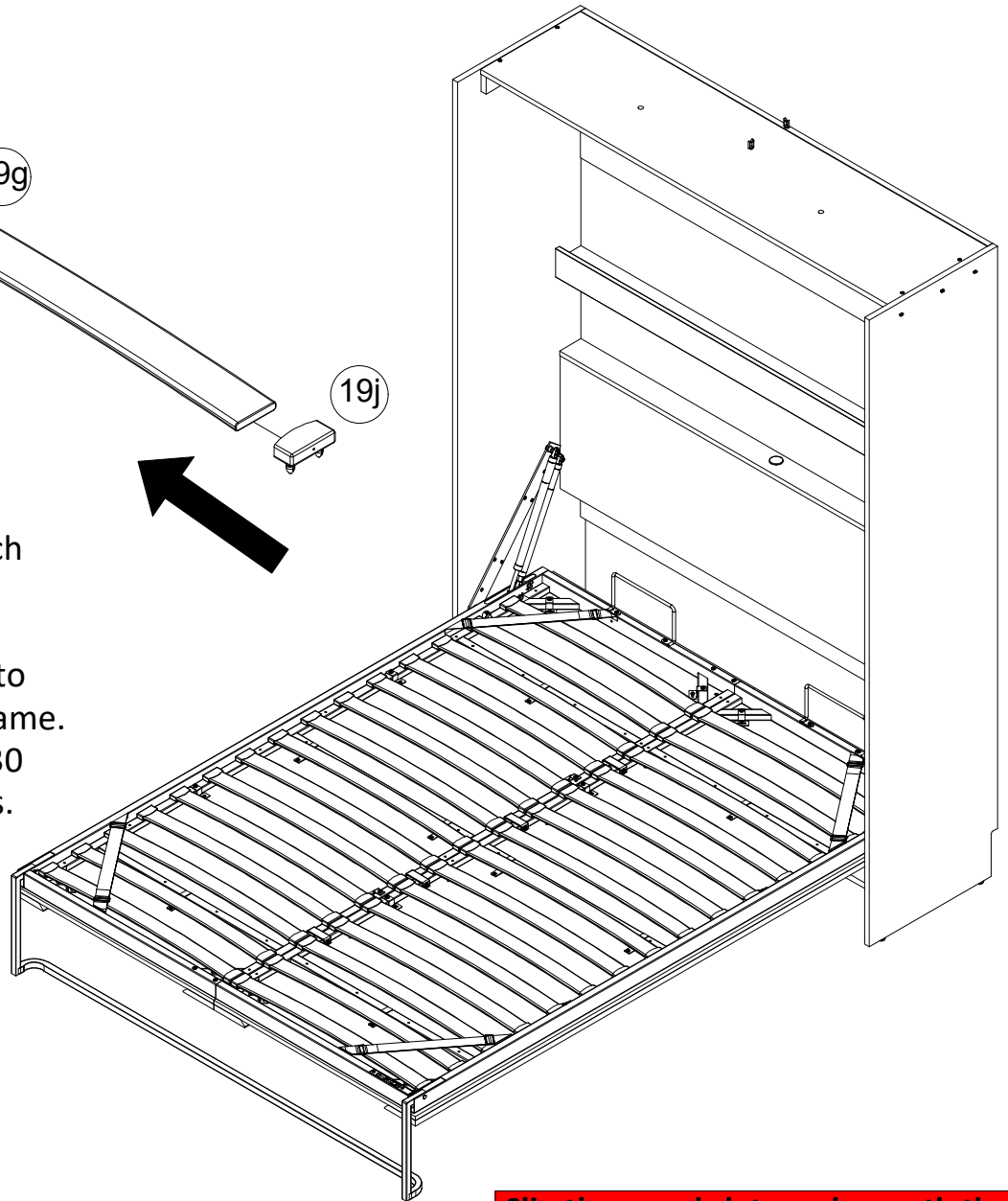
RED CIRCLES - USE SCREWS 6 & 25



STEP 46



Press a Plastic Cap (19j) at each end of a Wood Slat (19g). Press both Plastic Caps (19j), attached to the Wood Slat, into the holes of the Metal Bed Frame. Repeat the procedure for all 30 wood slats and 60 plastic caps.



Slip the wood slats underneath the straps at each corner

Maximum Loads

This unit has been designed to support the maximum loads shown. Exceeding these load limits could cause sagging, instability, product collapse, and/or serious injury.

This bed is designed to accommodate a Queen Size Mattress, up to 10" inches thick.

* with a maximum weight of 70 lbs (31.8 kgs)

* with a minimum weight of 35 lbs (15.9 kgs)

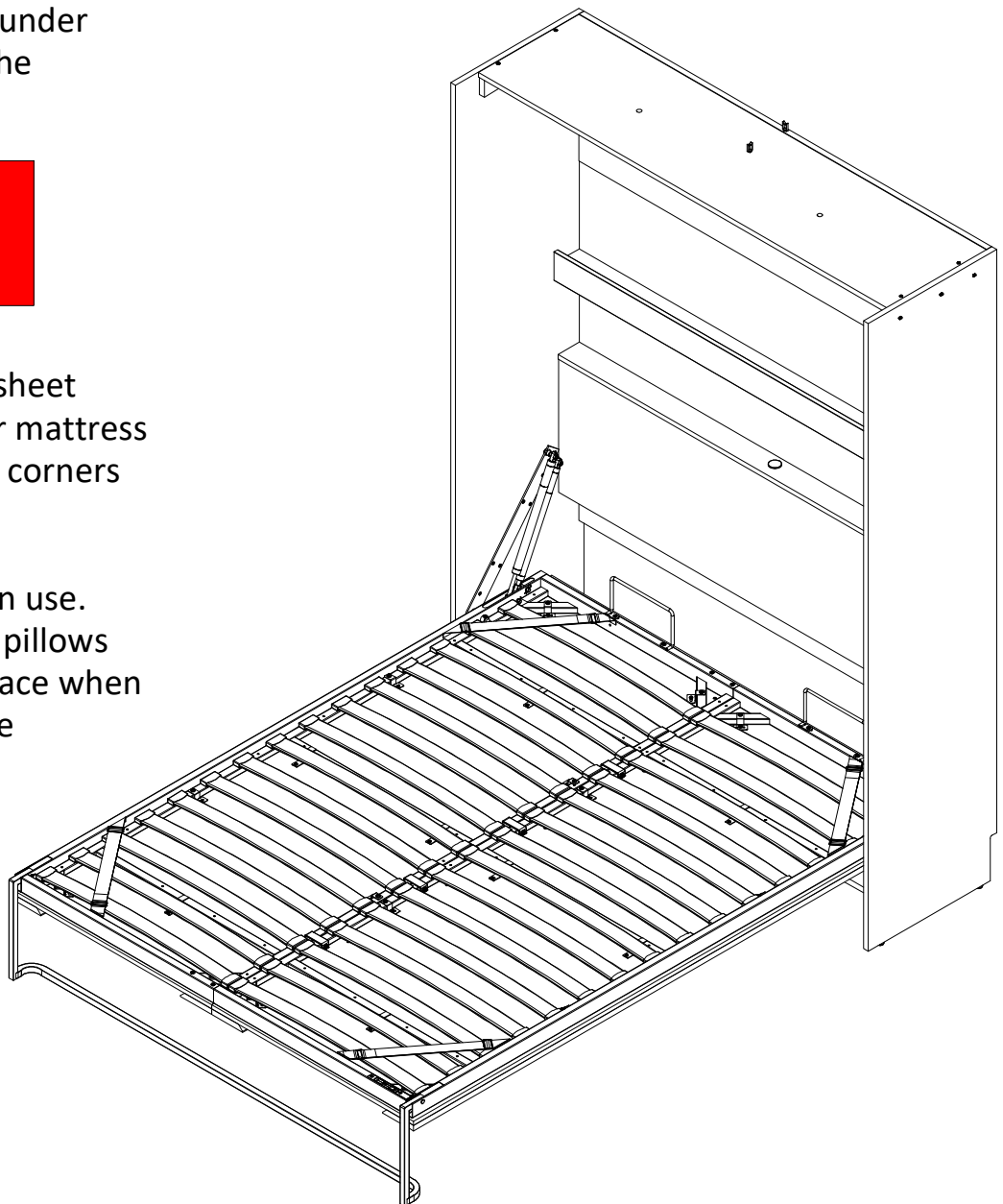
After you have finished assembling your wall bed, please keep the assembly manual by placing it under the mattress, in the frame of the mobile part of the bed.

Caution

Two people may be required to open and close the bed

Once you've placed your fitted sheet onto your mattress, secure your mattress with the straps provided in all 4 corners of the bed frame.

Keep the bed closed when not in use. It is recommended not to leave pillows and/or ornamental pillows in place when the bed is closed to preserve the mechanism.



Register your product to receive the following:



- * New trend details - sneak peek on what's new
- * Surveys - have a voice within our community
- * Exclusive deals and discount codes
- * Quick and easy replacement part service

To register your product, visit ameriwoodhome.com

5 Star Rating



Visit your local retailer's website, rate your purchased product and leave us some feedback!

*Thank
You!*

Español

Cubierta Delantera
Cama de pared Queen Size

Fecha de compra
Número de lote

ADVERTENCIA:

* **ADVERTENCIA PARA NIÑOS PEQUEÑOS:** Este producto tiene piezas pequeñas, asegúrese de mantenerlas fuera del alcance de los niños pequeños. Los niños menores de 6 años, lactantes pequeños y bebés no deben dormir en esta cama por cuestiones de seguridad. Para evitar lesiones y daños a esta unidad, PROHÍBA saltar sobre ella.

* Este producto está diseñado para uso doméstico y no está destinado al uso comercial.

Le recomendamos que encargue a un profesional el ensamblaje de su producto.

ESTE MANUAL DE INSTRUCCIONES CONTIENE INFORMACIÓN IMPORTANTE SOBRE SEGURIDAD. LÉALO Y CONSÉRVELO PARA FUTURAS CONSULTAS.

¡No devuelva este producto!

Primero póngase en contacto con nuestro servicio de atención al cliente.

Llame al 1-800-489-3351 (llamada gratuita)

Visite: www.ameriwoodhome.com

ADVERTENCIA

- La unidad puede volcarse y causar lesiones graves o la muerte.
- Fije la unidad a una clavija en la pared
- No permita que los niños se suban a la unidad

Medidor de dificultad de ensamblaje

Siga a Ameriwood Home

¡Contáctenos! (página 2)

¡No devuelva este producto!

Primero póngase en contacto con nuestro amable equipo de atención al cliente para obtener ayuda.

¡Llámenos! 1-800-489-3351

Visite ameriwoodhome.com para ver la garantía limitada válida en EE. UU. y Canadá.

Español

Consejos útiles

PERSONAS NECESARIAS PARA EL ENSAMBLAJE: 2

- Abra el artículo en la zona donde piensa colocarlo para evitar levantarlo por su peso.
- Identifique, clasifique y cuente las piezas antes de intentar ensamblarlo.
- Asegúrese de orientar siempre la punta que está en la parte superior del bloqueo de leva hacia el borde exterior.
- NO utilice productos químicos agresivos ni limpiadores abrasivos.
- Nunca empuje, jale o arrastre los muebles.

Antes de empezar (página 3)

- Lea detenidamente cada paso y siga el orden correcto.
- Separe y cuente todas sus piezas y herramientas. Las piezas tienen etiquetas en la superficie o el borde.
- Deje espacio suficiente para el proceso de ensamblaje.
- Debe tener las siguientes herramientas: destornillador Phillips n.º 2, martillo, nivel, detector de clavos, lápiz, escalera, mazo de goma y un taladro con brocas de 1/8" y 1/4".
- **Precaución:** Si usa un taladro o atornillador eléctrico para atornillar, tenga en cuenta que debe reducir la velocidad y detenerse cuando el tornillo esté apretado. Reduzca el par de torsión a un nivel inferior para que el taladro salte cuando el tornillo esté apretado. De lo contrario, el tornillo podría romperse.

Sistema de fijación con bloqueo de leva

Este sistema de bloqueo de leva se usará en todo el proceso de ensamblaje.

Identificación de la placa (página 4-5)

No es el tamaño real

Lista de piezas			
Articulo	Cantidad	Numero de pieza	Descripcion
A	1	37983339010	Panel izquierdo
B	1	37983339020	Panel derecho
C	1	37983339030	Pieza superior
D	1	37983339040	Fondo
E	1	37983339050	Panel trasero superior
F	2	37983339060	Panel trasero central
G	1	37983339070	Estante superior
H	1	37983339080	Panel de la cabecera
I	1	37983339090	camilla inferior
J	1	37983339100	Estante inferior
K	1	37983339110	Riel de estante
L	1	37983339120	Panel de la puerta izquierda
M	1	37983339130	Panel de la puerta derecha
N	4	37983339140	Moldura de puerta vertical
O	1	37983339150	Riel lateral izquierdo
P	1	37983339160	Riel lateral derecho
Q	1	37983339170	riel trasero

Página 6

Tenga en cuenta que su modelo puede contener hardware adicional.

Lista de piezas

Tamaño real

1. Bloqueo de leva
2. Perno de leva
3. Pasador de madera
4. Perno conector
5. Conector
6. Tornillo #10 x 1/2" pan
7. Tornillo #14 x 1/2" pan
8. Tornillo #8 x 5/8" flat
9. Conector frontal
10. Tornillo #8 x 1-1/4" pan
11. Guía
12. Tuerca
13. Tornillo #8 x 1/2" pan
14. Tornillo #8 x 1" pan
15. Tornillo #6 x 5/8" pan
16. Tornillo #6 x 1-1/2 pan
17. Sillín de alambre
18. Tornillo #8 x 3-1/2" pan
19. Etiqueta de advertencia
20. Kit de luz LED dual
21. Disco de sensor táctil
22. Soporte de puerta
23. Soporte de puerta
25. Tornillo #5/16 x 3/4" pan

Español

Página 8: Identificación del marco de cama

No es el tamaño real

Nota: No se identificarán todas las piezas.

19a - Ensamblaje izquierdo

19b - Ensamblaje derecho

19c - Pata

19d - Soporte de colchón

19e - Brazo giratorio izquierdo

19f - Brazo giratorio derecho

19g - Tablilla de madera

19h - Pistón de gas

19i - Soporte en U

19j - Tapa de plástico

19k - Pasador giratorio

19l - Pasador de horquilla grande

19m - Pasador de horquilla pequeño

19n - Pasador

19o - Perno - M6 x 16mm

19p - Perno - M6 x 10mm

19q - Arandela

19r - Tuerca hexagonal

19s - Llave hexagonal

19t - Llave inglesa

19u - Pata de goma

Página 10: Paso 1

Orientación correcta del bloqueo de leva

VOLTEAR

Borde acabado

Inserta el conector frontal (9) en los agujeros del Panel Trasero Superior (E) y luego acopla el otro extremo de los conectores frontales (9) en los agujeros del Riel Trasero (Q). Presiona las dos partes juntas para bloquearlas.

Ten en cuenta: las partes estarán sueltas en los agujeros hasta que presiones ambas partes juntas. En ese momento, los extremos se comprimirán para ajustarse firmemente.

Página 11: Paso 2

Orientación correcta del bloqueo de leva

Página 12: Paso 3

Orientación correcta del bloqueo de leva

Orientación correcta del conector

Página 13: Paso 4

Orientación correcta del bloqueo de leva

Página 14: Paso 5

Orientación correcta del conector

Página 17: Paso 8

Orientación adecuada del clip de alambre

Página 18: Paso 9

Borde acabado

Español

Página 18: Paso 9

Inserta el conector frontal (9) en los agujeros del Panel Izquierdo (A). Luego acopla el otro extremo de los conectores frontales (9) en los agujeros del Riel Lateral Izquierdo (O). Presiona las dos partes juntas para bloquearlas.

Ten en cuenta: las partes estarán sueltas en los agujeros hasta que presiones ambas partes juntas. En ese momento, los extremos se comprimirán para ajustarse firmemente.

Página 19: Paso 10

El brazo pivotante izquierdo (19e) se encuentra en la caja del mecanismo de la cama mural 9632096COM

Página 20: Paso 11

Borde acabado

Inserta el conector frontal (9) en los agujeros del Panel Derecho (B). Luego acopla el otro extremo de los conectores frontales (9) en los agujeros del Riel Lateral Derecho (P). Presiona las dos partes juntas para bloquearlas.

Ten en cuenta: las partes estarán sueltas en los agujeros hasta que presiones ambas partes juntas. En ese momento, los extremos se comprimirán para ajustarse firmemente.

Página 21: Paso 12

el brazo de pivote derecho (19f) se encuentra en la caja del mecanismo de cama de pared 9632096COM

Página 22: Paso 13

Gire en el sentido de las agujas del reloj para bloquear en su lugar

Tenga en cuenta: El riel del estante (K) es simétricorical.

Página 23: Paso 14

Gire en el sentido de las agujas del reloj para bloquear en su lugar

Superficie inacabada

Borde inacabado

Página 24: Paso 15

Tenga en cuenta: El riel trasero (Q) se ensambla en la superficie terminada del panel trasero superior (E).

Superficie inacabada

Página 25 & 27: Paso 16 & 18

La clavija está más cerca del borde aquí

Página 26: Paso 17

Presione las clavijas en su lugar. Use suavemente un mazo de goma si es necesario.

Español

Página 30: Paso 21

Empiece por un extremo y siga hasta el otro para alinear las piezas antes de bloquear las levas.

Página 31: Paso 22

Con la ayuda de otra persona, coloque suavemente la unidad sobre su parte frontal de modo que las guías queden orientadas hacia la pared.

Golpee los casquillos (12) con un martillo.

Atornille las guías ajustables (11) hasta el fondo.

Página 32: Paso 23

Los siguientes pasos son ensamblar su hardware eléctrico.

Información sobre la longitud del cable:

1. El cable de alimentación es de 72" desde el transformador hasta la punta del enchufe
2. El cable del lazo para el disco del sensor, desde el transformador es de 48" hasta el centro del lazo
3. El cable de luz que termina en un clip (que eventualmente se conectará al módulo de luz), ese cable, desde el transformador es de 100 "hasta el clip
4. El módulo de luz, su cable sale del disco de luz y se extiende 5" hasta el centro de su clip

El kit de luces LED dobles incluye:

20a. Transformador

20b. Cable de alimentación eléctrica

20c. Cable del sensor de bucle

20d. peniques Luces LED duales con enchufes de luz

Disco del sensor táctil (empaquetado por separado)

El Touch Sensor Disk tiene 3 opciones de brillo.

- Toque 1 - luz nocturna
- Toque 2 - luz de ahorro de energía
- Touch 3 - luz de lectura brillante
- Toque 4 - apagar

tocar

disco sensor

Tenga en cuenta: el hardware de montaje no está incluido en estos paquetes. Pero se proporcionan en una bolsa de hardware.

Página 33: Paso 23

Montaje del juego de luces LED

Abra el paquete del kit de luces LED. Todo se ensamblará.

Primero, desenganche la luz LED del enchufe de la luz como se muestra...

desabrochar

enchufe de luz

Luz LED

En segundo lugar, debe desmontar la luz LED. Desenrosque la cubierta de la base y luego retire la pieza de la lente. Coloque estas piezas de forma segura a un lado.

cubrir

lente

base

módulo de luz

Página 34: Paso 24

Coloca el transformador (20a) en el Panel del Cabecero (H) en la ubicación mostrada. Usa el tornillo (16) para sujetar el transformador (20a). Si es necesario para la fuente de alimentación, pasa el enchufe de alimentación (20b) por delante del Travesaño Inferior (I).

Página 35: Paso 25

Coloque la unidad en posición vertical con la ayuda de otra persona. Durante estos pasos, permita que la otra persona sostenga la unidad de manera segura para que no se vuelque.

Coloque el disco del sensor táctil (21) en la ubicación que se muestra en el estante inferior (J).

Página 36: Paso 26

Cables de enchufe de luz (20d)

Con la ayuda de otra persona que mantenga la unidad firme y vertical, toma el Sensor de Bucle (20c) que está conectado al Transformador (20a) y colócalo debajo del Estante Inferior (J) en la ubicación del agujero del Disco Sensor Táctil (21). Pasa el tornillo (13) a través del Sensor de Bucle y atorníllalo en el Disco Sensor Táctil (21).

Una vez que el tornillo (13) esté completamente apretado, pasa los cables del enchufe de luz (20d) hacia arriba a lo largo del lado posterior de la unidad. Pasa los cables a través de la montura de cable (17) en el borde superior del Panel Trasero Superior (E). **Asegura los cables para que no caigan detrás de la unidad al montarla en la pared.**

Página 37:

Los siguientes pasos consisten en ensamblar la unidad en la pared.

La unidad ensamblada DEBE ser cuadrada en altura, anchura y profundidad para funcionar correctamente.

Español

Página 37:

La unidad ensamblada DEBE colocarse plana contra la pared.

La unidad ensamblada DEBE atornillarse a las clavijas de la pared en la parte de arriba y de abajo para mayor seguridad.

Debe localizar al menos 3 clavijas, pero 4 es mejor.

NO use anclajes de pared para fijar la unidad a la pared.

Use un localizador de vigas donde sea necesario.

Para ladrillos, concreto u otros materiales de pared:

Consulte en su ferretería local los anclajes adecuados para fijar la unidad a la pared de forma segura.

Página 38: Paso 27

Con la ayuda de otra persona, coloque el aparato AL RAS de la pared.

Asegúrese de que los cables del enchufe de la luz (20d) estén seguros en el soporte del cable (17) ubicado en el panel trasero superior (E).

sillín de alambre

Orificio de alambre

¡NO lo corte en la cama!

En la parte trasera de la unidad hay unas muescas que deben ajustarse alrededor de la placa base en la pared. Si la placa base es más alta o más gruesa que las muescas de la unidad, tendrá que quitar la placa base, cortarla para que quepa a ambos lados de la unidad y volver a fijarla a la pared.

Página 39: Paso 28

La unidad ensamblada DEBE estar al ras en altura, anchura y profundidad para funcionar correctamente.

Necesitará una escalera de mano. No se apoye en la parte superior de la unidad, puede causar pandeo.

Si es necesario, desenrosque las guías en sentido contrario a las agujas del reloj en las cuatro esquinas hasta que la unidad esté nivelada en todas las direcciones.

Página 40 - Paso 29

Debe ubicar al menos 3 montantes DIFERENTES, en la dirección horizontal, pero 4 es mejor.

Necesitará una escalera. No se apoye en la parte superior de la unidad, puede causar pandeo.

Montantes de pared

Localiza los montantes en la pared, usando un detector de montantes. Con un lápiz, marca las ubicaciones de los montantes en la superficie superior del Panel Trasero Superior (E). Usando un nivel, traslada las ubicaciones de los montantes hasta el Travesaño Inferior (I) y, con un lápiz, marca las ubicaciones de los montantes.

Distancia promedio entre montantes (16")

Español

Página 41: Paso 30

Primero, asegúrese de que su unidad aún esté nivelada en todas las direcciones.

Taladre orificios guía de 1/8 "(3 mm) a través del panel posterior superior (E) y el larguero inferior (I) en las marcas de ubicación de los postes. Fije la unidad a los montantes de la pared con los tornillos (18).

Se requerirá una escalera

No se apoye contra la parte superior de la unidad, puede causar flacidez

Página 42:

Los siguientes pasos son ensamblar el marco y el mecanismo de la cama de metal

Estas piezas se encuentran en la caja de cartón del mecanismo de cama mural #9632096COM

Página 43: Paso 31

presione en cada agujero

Es posible que necesite un mazo de goma.

Página 46: Paso 34

El extremo "largo" de ambos pistones debe fijarse aquí.

Los extremos de ambos pistones deben insertarse en la ranura del marco de la cama cuando se ensamblan.

Extremo largo

Extremo corto

Página 47: Paso 35

El gabinete no se muestra para permitir una vista clara del ensamblaje del marco de la cama

No sujete los pistones a los brazos de pivote izquierdo y derecho en este punto, esto se hará en el paso 36

Ya fijado a su unidad

Con una persona a cada lado, levante el mecanismo de la cama, alinee los orificios del conjunto de la cama con el orificio del buje grande del brazo de pivote izquierdo y derecho (19e y 19f) ya instalado en su unidad e inserte los pasadores de pivote (19k) como se muestra.

Asegure los pasadores de pivote con un Perno de 10mm (19p).

Página 48: Paso 36

Con una persona a cada lado, levante con cuidado el marco de la cama en la posición cerrada. Mientras una persona empuja el armazón de la cama dentro del gabinete, pasando los 90 grados, la otra persona debe enganchar el pistón de gas delantero (19h) a cada lado de la unidad, al pasador delantero del brazo de pivote izquierdo y derecho (19e y 19f). Luego asegúrelo firmemente con dos tuercas (19r). Para acoplar el pistón de gas trasero (19h) a cada lado de la unidad, mueva lenta y cuidadosamente el marco de la cama hacia adelante y hacia atrás hasta que pueda insertar los pistones de gas (19h) en el pasador trasero del brazo de pivote izquierdo y derecho (19e y 19f). Luego asegúrelo firmemente con dos tuercas (19r).

Empuje aquí en el gabinete

Este paso continúa en la página siguiente

Español

Página 49: Paso 36

Pasados 90 grados

La imagen muestra el marco de cama empujado dentro del gabinete, pasados 90 grados.

Nota: Es normal ver el marco de cama en este estado antes de instalar los pistones de gas.

Página 50: Paso 37

No se muestra el gabinete para permitir una visión clara del conjunto del marco de cama.

Jale el marco de cama hacia abajo y luego fije la pata (19c) como se muestra.

Aplique la etiqueta de advertencia aquí.

El marco de cama está equipado con un mecanismo para bloquear la pata (19c) en su lugar. Para bloquear o desbloquear la pata, jale el mecanismo de bloqueo.

Página 51: Paso 38

Se requerirá una escalera de mano para este paso.

Con la ayuda de otra persona, coloca cuidadosamente la Parte Superior (C) sobre el Riel Lateral Izquierdo (O), el Riel Lateral Derecho (P) y el Riel Trasero Superior (Q). Usa el tornillo (10) como se muestra.

ASEGÚRATE DE QUE EL CABLE ESTÉ FIJADO ENCIMA DE LA PARTE SUPERIOR (C)

Página 52: Paso 39

Se requerirá una escalera de mano para este paso. Con la ayuda de otra persona, monta las luces LED desmontadas (19d) en la Parte Superior (C) con el tornillo (15). Pasa los cables de las luces LED (19d) a través de los agujeros provistos en la Parte Superior (C) para permitir que los cables se coloquen encima de la Parte Superior (C).

El mecanismo del marco de la cama se retira de la vista para mostrar mejor este paso.

CABLES ENCIMA

Página 53 - Paso 40

Con la ayuda de otra persona, pasa los cables de las luces LED a través de la montura de cable (17) en la Parte Superior (C) y a través de la que está en el borde superior del Panel Trasero Superior (E) si es necesario. Engancha los Enchufes de Luz (19d) (que están fijados en el transformador (19a)) de vuelta a los cables de las luces LED.

Página 54 - Paso 41

Se requerirá una escalera de mano para este paso. Con la ayuda de otra persona, vuelve a montar las luces LED. Primero colocando la lente en la base y luego atornillando la tapa de vuelta a la base como se muestra abajo.

Ajusta cualquier cable necesario según se necesite. Asegúrate de que el Enchufe de Alimentación esté pasado por donde se encuentra la toma de corriente prevista. Conecta a la toma y asegúrate de que la Luz LED (20) y el Disco Sensor Táctil (21) funcionen correctamente.

Español

Página 55 & 56: Paso 42 & 43

Orientación adecuada del soporte
Borde acabado

Página 57 - Paso 44

Con ayuda de otra persona, levanta el Panel de Puerta Izquierdo ensamblado (L), posiciona los soportes (22) sobre los tres rieles de soporte del marco de la cama y colócalos en su posición. Repite el procedimiento para el Ensamblaje del Panel de Puerta Derecho (M).

IMPORTANTE:

Primero, desbloquea y voltea la pata hacia el armario. Luego, baja un poco el marco de la cama para permitir espacio para enganchar los Ensamblajes de Panel de Puerta (L & M).

El armario no se muestra para permitir una vista clara del ensamblaje del marco de la cama.

Página 58 - Paso 45

Con la ayuda de otra persona, tira cuidadosamente para abrir el marco de la cama.

Alinea todo el ensamblaje para que los bordes estén alineados con el marco de la cama y empuja contra la pata. Esto establecerá el espacio superior. Luego, fija los paneles al marco de la cama con los soportes (23). Consulta la página siguiente para las ubicaciones de los soportes.

El armario no se muestra para permitir una vista clara del ensamblaje del marco de la cama.

Página 59 - Paso 45

La vista es desde arriba... mostrando la ubicación de los soportes.

CÍRCULOS NEGROS - USA TORNILLO 6 & 7

CÍRCULOS ROJOS - USA TORNILLO 6 & 25

Página 60 - Paso 46

Presiona una Tapa de Plástico (19j) en cada extremo de una Lámina de Madera (19g). Presiona ambas Tapas de Plástico (19j), adjuntas a la Lámina de Madera, en los agujeros del Marco de Cama de Metal. Repite el procedimiento para todas las 30 láminas de madera y 60 tapas de plástico.

Desliza las láminas de madera debajo de las correas en cada esquina.

Página 61: Cargas máximas

Esta unidad está diseñada para soportar las cargas máximas indicadas. Exceder estos límites de carga podría causar pandeo, inestabilidad, colapso del producto o lesiones graves.

Esta cama está diseñada para acomodar un colchón Queen Size, de hasta 10" de grosor

*** con un peso máximo de 31.8 kg (70 lb)**

*** con un peso mínimo de 15.9 kg (35 lb)**

Cuando haya terminado de ensamblar su cama de pared, conserve el manual de ensamblaje colocándolo debajo del colchón, en el marco de la parte móvil de la cama.

Precaución: Pueden ser necesarias dos personas para abrir y cerrar la cama.

Cuando haya colocado la sábana bajera en el colchón, asegúrelo con las correas suministradas en las 4 esquinas del marco de cama.

Mantenga la cama cerrada cuando no se use. Se recomienda no dejar almohadas o cojines decorativos cuando la cama esté cerrada para conservar el mecanismo.

Página 62: Registre su producto para recibir lo siguiente:

- * Detalles de las nuevas tendencias: un vistazo de las novedades.**
- * Encuestas: haga oír su voz en nuestra comunidad.**
- * Ofertas exclusivas y códigos de descuento.**
- * Servicio de piezas de repuesto rápido y sencillo.**

Para registrar su producto, visite ameriwoodhome.com

Calificación de 5 estrellas

Visite el sitio web de su distribuidor local, valore el producto adquirido y ¡déjenos su opinión!

¡Gracias!

Français

Couverture avant
Lit mural: Queen Size

Date d'achat
Numéro de lot

AVERTISSEMENT :

* **AVERTISSEMENT POUR LES JEUNES ENFANTS:** Ce produit a de petites pièces, assurez-vous de les garder hors de la portée des jeunes enfants. Les enfants de moins de 6 ans, les jeunes nourrissons et les nourrissons ne devraient pas dormir dans ce lit pour des raisons de sécurité. Pour prévenir les blessures et les dommages à cette unité, **INTERDIRE** de sauter dessus.

* Ce produit est destiné à un usage domestique et n'est pas destiné à un usage commercial.

Nous vous recommandons de faire assembler votre produit par un professionnel.

CE MANUEL D'INSTRUCTIONS CONTIENT DES RENSEIGNEMENTS IMPORTANTS SUR LA SÉCURITÉ. VEUILLEZ LE LIRE ET LE CONSERVER POUR RÉFÉRENCE FUTURE.

Ne retournez pas ce produit !

Tout d'abord, veuillez contacter notre service client.

Composez le 1-800-489-3351 (sans frais)

Visitez : www.ameriwoodhome.com

Une installation professionnelle est requise pour cette unité.

AVERTISSEMENT

- L'unité peut basculer et causer des blessures graves ou la mort.

- Fixez l'unité à un poteau dans le mur

- Ne pas permettre aux enfants d'entrer dans l'unité

Compteur de difficulté d'assemblage

Suivez Ameriwood Home

Contactez-nous ! (page 2)

Ne retournez pas ce produit !

Tout d'abord, contactez notre équipe de support client conviviale pour obtenir de l'aide.

Appelez ! 1-800-489-3351

Visitez ameriwoodhome.com pour voir la garantie limitée valide aux États-Unis et au Canada.

Français

Conseils utiles

PERSONNES NÉCESSAIRES À L'ASSEMBLÉE : 2

- Ouvrez l'article dans la zone où vous prévoyez de le placer pour éviter de le soulever en raison de son poids.
- Identifier, classer et compter les pièces avant de tenter de les assembler.
- Assurez-vous de toujours pointer la pointe en haut du verrou de la came vers le bord extérieur.
- N'UTILISEZ PAS de produits chimiques agressifs ou de nettoyeurs abrasifs.
- Ne jamais pousser, tirer ou traîner les meubles.

Avant de commencer (page 3)

- Lisez attentivement chaque étape et suivez l'ordre correct.
- Séparez et comptez toutes vos pièces et outils. Les pièces ont des étiquettes sur la surface ou le bord.
- Laisser suffisamment de place pour le processus d'assemblage.
- Doit avoir les outils suivants : tournevis crucir n ° 2, marteau, niveau, détecteur de clous, crayon, échelle, maillet en caoutchouc, et une perceuse avec des trépan de 1/8 " et 1/4 « .

- **Attention** : Si vous utilisez une perceuse électrique ou un tournevis pour le screwdriving, gardez à l'esprit que vous devez ralentir et arrêter lorsque la vis est serrée. Réduisez le couple à un niveau inférieur afin que la perceuse éclate lorsque la vis est serrée. Sinon, la vis pourrait se casser.

Système de serrage avec verrouillage à cames

Ce système de verrouillage à cames sera utilisé tout au long du processus d'assemblage.

Identification de la plaque d'immatriculation (page 4-5)

Pas la taille réelle

Liste des pieces			
element	quantite	numero de piece	description
A	1	37983339010	Panneau de gauche
B	1	37983339020	Panneau de droite
C	1	37983339030	Haut de page
D	1	37983339040	Panneau Inferieur
E	1	37983339050	panneau superieur du dos
F	2	37983339060	panneau arriere central
G	1	37983339070	etagere superieure
H	1	37983339080	panneau de tete de lit
I	1	37983339090	stringer inferieur
J	1	37983339100	etagere inferieure
K	1	37983339110	rail de plateau
L	1	37983339120	panneau de porte gauche
M	1	37983339130	panneau de porte de droite
N	4	37983339140	moulage vertical
O	1	37983339150	rail superieur gauche
P	1	37983339160	rail superieur droit
Q	1	37769339170	rail arriere

Page 6

Veuillez noter que votre appareil peut contenir du matériel supplémentaire.

Liste des pièces

Taille réelle

1. Verrouillage de la came
2. Boulon à cames
3. Goupille en bois
4. Boulon de connecteur
5. Connecteur
6. Vis #10 x 1/2" pan
7. Vis #14 x 1/2" pan
8. Vis #8 x 5/8" flat
9. connecteur de face
10. Vis #8 x 1-1/4" pan
11. Guide
12. Noix
13. Vis #8 x 1/2" pan
14. Vis #8 x 1" pan
15. Vis #6 x 5/8" pan
16. Vis #6 x 1-1/2 pan
17. Selle métallique
18. Vis #8 x 3-1/2" pan
19. Étiquette d'avertissement
20. Kit d'éclairage à double LED
21. Disque de capteur tactile
22. Support de porte
23. Support de porte
25. Vis #5/16-3/4" pan

Français

Page 8 : Identification du cadre de lit

Ce n'est pas la taille réelle

Remarque : Toutes les pièces ne seront pas identifiées.

19a - Assemblée de gauche

19b - Assemblée de droite

19c - Patte

19d - Support de matelas

19e - Bras pivotant gauche

19f - Bras pivotant droit

19g - Latte en bois

19h - Piston à gaz

19i - Support en U

19j - Capuchon en plastique

19k - Goupille pivotante

19l - Grande goupille de fourche

19m - Petite goupille de fourche

19n - Épingle

19e - Boulon - M6 x 16mm

19p - Boulon - M6 x 10mm

19q - Laveuse

19r - Noix hexagone

19s - Clé hexagonale

19t - Clé

19u - Pied en caoutchouc

Page 9 : Avant de commencer !

INFORMATIONS TRÈS IMPORTANTES

Une installation professionnelle est requise pour cette unité.

Attention : Le défaut d'employer 2 professionnels pour cet assemblage peut avoir comme conséquence des dommages à l'unité ou des dommages corporels.

Page 10 - Étape 1:

Orientation correcte du verrou de came

TOURNER

Bord fini

Enfoncez le connecteur frontal (9) dans les trous du panneau arrière supérieur (E), puis engagez l'autre extrémité des connecteurs frontaux (9) dans les trous du rail arrière (Q). Appuyez sur les deux parties l'une contre l'autre pour les verrouiller ensemble.

Veillez noter que les pièces seront desserrées dans les trous jusqu'à ce que vous pressiez les deux parties ensemble. À ce stade, les extrémités se comprimeront pour donner un ajustement serré.

Page 11 : Étape 2

Orientation correcte du verrou de came

Page 12 : Étape 3

Orientation correcte du verrou de came

Orientation correcte du connecteur

Page 13 : Étape 4

Orientation correcte du verrou de came

Page 14 : Étape 5

Orientation correcte du connecteur

Français

Page 17 : Étape 8

Orientation appropriée du clip de fil

Page 18 : Étape 9

Bord fini

Enfoncez le connecteur frontal (9) dans les trous du panneau gauche (A). Engagez ensuite l'autre extrémité des connecteurs frontaux (9) dans les trous du rail latéral gauche (O). Appuyez sur les deux parties l'une contre l'autre pour les verrouiller ensemble.

Veillez noter que les pièces seront desserrées dans les trous jusqu'à ce que vous pressiez les deux parties ensemble. À ce stade, les extrémités se comprimeront pour donner un ajustement serré.

Page 19 : Étape 10

Le bras de pivot gauche (19e) est situé dans la boîte de mécanisme de lit mural 9632096COM

Page 20 : Étape 11

Bord fini

Insérez le connecteur avant (9) dans les trous du panneau de droite (B). Ensuite, fixez l'autre extrémité des connecteurs avant (9) dans les trous du rail latéral droit (P). Appuyez sur les deux parties ensemble pour les verrouiller.

S'il vous plaît noter : les pièces seront lâches dans les trous jusqu'à ce que vous appuyez sur les deux parties ensemble. À ce stade, les extrémités seront comprimées pour s'adapter fermement.

Page 21 : Étape 12

Le bras pivot droit (19f) est situé dans la boîte de mécanisme de lit mural 9632096COM

Page 22 : Étape 13

Faites pivoter dans le sens des aiguilles d'une montre pour verrouiller en place

Remarque : Le rail de l'étagère (K) est symétrique.

Page 23 : Étape 14

Faites pivoter dans le sens des aiguilles d'une montre pour verrouiller en place

Surface non finie

Bord inachevé

Page 24 : Étape 15

Remarque : Le rail arrière (Q) est assemblé sur la surface finie du panneau arrière supérieur (E).

Surface non finie

Page 25 & 27 : Étape 16 & 18

La cheville est plus proche du bord ici

Page 26 : Étape 17

Appuyez sur les broches en place. Utilisez doucement un maillet en caoutchouc si nécessaire.

Français

Page 30 : Étape 21

Commencez à une extrémité et travaillez votre chemin vers l'autre pour aligner les pièces avant de verrouiller les cames.

Page 31 : Étape 22

Avec l'aide d'une autre personne, placez doucement l'unité sur son devant afin que les guides soient face au mur.

Frappez les bagues (12) avec un marteau.

Vissez les guides réglables (11) tout le chemin.

Page 32 : Étape 23

Les prochaines étapes consistent à assembler votre matériel électrique.

Informations sur la longueur du câble :

1. Le cordon d'alimentation est 72" du transformateur à la pointe de la fiche
2. Le fil de boucle pour le disque du capteur, du transformateur est 48" au centre de la boucle
3. Le fil lumineux qui se termine par un clip (qui finira par se connecter au module d'éclairage), ce fil, du transformateur est de 100" au clip
4. Le module d'éclairage, son fil sort du disque de lumière et s'étend de 5" au centre de son clip

Le kit d'éclairage à double LED comprend :

20a. Transformateur

20b. Cordon d'alimentation

20c. Câble de capteur de boucle

20d. Lampes à DEL doubles Pence avec prises d'éclairage

Disque de capteur tactile (emballé séparément)

Le disque de capteur tactile a 3 options de luminosité.

- Touch 1 - veilleuse

- Touch 2 - lumière d'économie d'énergie

- Touch 3 - lumière de lecture brillante

- Appuyez 4 - éteignez

toucher

Capteur de disque

Remarque : Le matériel de montage n'est pas inclus dans ces packages. Mais ils sont fournis dans un sac de quincaillerie.

Français

Page 33 : Étape 23

Assemblage de l'ensemble de lumière LED

Ouvrez l'ensemble du kit d'éclairage LED. Tout sera assemblé.

Tout d'abord, décrocher la lumière LED de la fiche de la lumière comme indiqué ...

unfasten

Prise de lumière

Lumière LED

Deuxièmement, vous devez démonter la lumière LED. Dévissez le couvercle de la base, puis retirez la pièce de l'objectif. Mettez ces pièces de côté en toute sécurité.

couverture

lentille

base

Module d'éclairage

Page 34 - Étape 24

Placez le transformateur (20a) sur le panneau de tête de lit (H) à l'emplacement indiqué. Utilisez la vis (16) pour fixer le transformateur (20a). Enfilez la fiche d'alimentation (20b) devant le longeron inférieur (I) si cela est nécessaire pour la source d'alimentation.

Page 35 : Étape 25

Placez l'unité à la verticale avec l'aide d'une autre personne. Au cours de ces étapes, permettez à l'autre personne de tenir l'unité en toute sécurité afin qu'elle ne bascule pas.

Placez le disque du capteur tactile (21) à l'emplacement indiqué sur l'étagère inférieure (J).

Page 36 : Étape 26

Avec l'aide d'une autre personne qui maintient l'appareil à la verticale, prenez le capteur à boucle (20c) qui est connecté au transformateur (20a) et placez-le sous l'étagère inférieure (J) à l'emplacement du trou du disque du capteur tactile (21). Enfilez la vis (13) à travers le capteur à boucle et vissez-la dans le disque du capteur tactile (21).

Une fois la vis (13) complètement serrée, enfiler les fils de la bougie d'éclairage (20d) le long de la face arrière de l'appareil. Enfilez les fils à travers la selle métallique (17) sur le bord supérieur du panneau supérieur du dos (E). **Fixez les fils afin qu'ils ne tombent pas derrière l'appareil lors de la fixation au mur.**

Page 37 :

Les prochaines étapes consistent à assembler l'unité au mur.

L'unité assemblée DOIT être carrée en hauteur, largeur et profondeur pour fonctionner correctement.

L'unité assemblée DOIT être placée à plat contre le mur.

L'unité assemblée DOIT être vissée aux broches murales en haut et en bas pour plus de sécurité.

Vous devez localiser au moins 3 broches, mais 4 est mieux.

N'UTILISEZ PAS d'ancrages muraux pour fixer l'unité au mur.

Utilisez un localisateur de faisceau si nécessaire.

Français

Pour les briques, le béton ou d'autres matériaux muraux :
Vérifiez auprès de votre quincaillerie locale pour les ancrs appropriés pour fixer l'unité au mur.

Page 38 : Étape 27

Avec l'aide d'une autre personne, placez l'appareil AL RAS sur le mur.

Assurez-vous que les fils de prise d'éclairage (20d) sont fixés dans le support de cordon (17) situé sur le panneau arrière supérieur (E).

Selle de fil

Trou de fil

NE LE COUPEZ PAS au lit !

À l'arrière de l'unité se trouvent des encoches qui doivent être installées autour de la plaque de base sur le mur. Si la carte mère est plus haute ou plus épaisse que les encoches de l'unité, vous devrez retirer la carte mère, la couper pour l'adapter de chaque côté de l'unité et la rattacher au mur.

Page 39 : Étape 28

L'unité assemblée DOIT être affleurante en hauteur, en largeur et en profondeur pour fonctionner correctement.

Vous aurez besoin d'une échelle. Ne vous appuyez pas sur le dessus de l'unité, cela peut provoquer un flambage.

Si nécessaire, dévissez les guides dans le sens antihoraire aux quatre coins jusqu'à ce que l'unité soit à niveau dans toutes les directions.

Page 40 - Étape 29

Vous devez localiser au moins 3 goujons DIFFÉRENTS, dans le sens horizontal, mais 4 est mieux.

Vous aurez besoin d'une échelle. Ne vous appuyez pas sur le dessus de l'unité, cela peut provoquer un flambage.

Goujons muraux

Localisez les goujons dans le mur à l'aide d'un détecteur de goujons. À l'aide d'un crayon, marquez l'emplacement des goujons sur la surface supérieure du panneau supérieur du dos (E). À l'aide d'un niveau, reportez les emplacements des goujons jusqu'au longeron inférieur (I) et, à l'aide d'un crayon, marquez les emplacements des goujons.

Page 41 : Étape 30

Tout d'abord, assurez-vous que votre unité est toujours au niveau dans toutes les directions.

Percez des trous pilotes de 1/8 " (3 mm) à travers le panneau arrière supérieur (E) et le lisse inférieur (I) dans les marques d'emplacement du poteau. Fixez l'unité aux goujons muraux avec les vis (18).

Une échelle sera nécessaire

Ne vous appuyez pas contre le haut de l'unité, cela peut provoquer un affaissement

Français

Page 42 :

Les prochaines étapes consistent à assembler le cadre et le mécanisme du lit métallique
Ces pièces sont situées dans la boîte en carton du mécanisme de lit mural #9632096COM

Page 43 : Étape 31

Appuyez dans chaque trou

Vous aurez peut-être besoin d'un maillet en caoutchouc.

Page 46 : Étape 34

L'extrémité "longue" des deux pistons doit être fixée ici.

Les extrémités des deux pistons doivent être insérées dans la rainure du cadre de lit lors de l'assemblage.

Long End

Fin courte

Page 47 : Étape 35

L'armoire n'est pas affichée pour permettre une vue claire de l'ensemble du cadre de lit

Ne fixez pas les pistons aux bras de pivot gauche et droit à ce stade, cela se fera à l'étape 36

Déjà attaché à votre unité

Avec une personne de chaque côté, soulevez le mécanisme du lit, alignez les trous dans l'ensemble du lit avec le grand trou de bague de bras de pivot gauche et droit (19e et 19f) déjà installé dans votre unité, et insérez les broches de pivot (19k) comme indiqué.

Fixez les goupilles de pivot avec un boulon de 10 mm (19p).

Page 48 : Étape 36

Avec une personne de chaque côté, soulevez soigneusement le cadre du lit dans la position fermée. Alors qu'une personne pousse le cadre de lit dans l'armoire, au-delà de 90 degrés, l'autre personne doit accrocher le piston de gaz avant (19h) de chaque côté de l'unité, à la goupille avant du bras de pivot gauche et droit (19e et 19f).

Ensuite, fixez-le fermement avec deux écrous (19r). Pour engager le piston à gaz arrière (19h) de chaque côté de l'unité, déplacez lentement et soigneusement le cadre de lit d'avant en arrière jusqu'à ce que vous puissiez insérer les pistons à gaz (19h) dans la goupille arrière du bras de pivot gauche et droit (19e et 19f). Ensuite, fixez-le fermement avec deux écrous (19r).

Poussez ici dans le cabinet

Cette étape se poursuit à la page suivante

Page 49 : Étape 37

Passé 90 degrés

L'image montre le cadre de lit poussé dans l'armoire, au-delà de 90 degrés.

Remarque : Il est normal de voir le cadre de lit dans cet état avant d'installer les pistons à gaz.

Page 50 : Étape 37

L'armoire n'est pas montrée pour permettre une vue claire du cadre de lit dans son ensemble.

Tirez le cadre du lit vers le bas, puis fixez la jambe (19c) comme indiqué.

Appliquez l'étiquette d'avertissement ici.

Le cadre de lit est équipé d'un mécanisme de bloc

Page 51 - Étape 38

Un escabeau est nécessaire pour cette étape.

Avec l'aide d'une autre personne, placez soigneusement la partie supérieure (C) sur le rail latéral gauche (O), le rail latéral droit (P) et le rail arrière supérieur (Q). Utilisez la vis (10) comme indiqué.

ASSUREZ-VOUS QUE LE FIL EST FIXÉ SUR LE DESSUS (C)

Page 52 - Étape 39

Un escabeau est nécessaire pour cette étape. Avec l'aide d'une autre personne, assemblez les lumières LED démontées (19d) au sommet (C) avec la vis (15). Enfitez les fils des lumières LED (19d) à travers les trous prévus dans le sommet (C) pour permettre aux fils d'être placés sur le sommet (C).

Le mécanisme du cadre de lit est retiré de la vue pour mieux montrer cette étape.

FILS SUR LE DESSUS

Page 53 - Étape 40

Avec l'aide d'une autre personne, faites passer les fils de l'éclairage LED à travers la selle métallique (17) du sommet (C) et à travers celle située sur le bord supérieur du panneau supérieur du dos (E) si nécessaire. Clipsez les bougies d'éclairage (19d) (qui est fixé dans le transformateur (19a)) dans les fils d'éclairage LED.

Page 54 - Étape 41

Un escabeau est nécessaire pour cette étape. Avec l'aide d'une autre personne, assemblez les lumières LED. Placez d'abord la lentille dans la base, puis vissez le couvercle à la base, comme indiqué ci-dessous. Ajustez tous les fils nécessaires au besoin. Assurez-vous que la prise d'alimentation est filetée à l'endroit où se trouve la prise de courant. Branchez dans la prise et assurez-vous que la lumière LED (20) et le disque du capteur tactile (21) fonctionnent correctement.

Page 55 & 56 : Étape 42 & 43

Orientation appropriée du soutien
Bord fini

Page 58 - Étape 45

Avec l'aide d'une autre personne, tirez soigneusement pour ouvrir le cadre du lit.

Alignez l'ensemble de l'ensemble afin que les bords soient alignés avec le cadre de lit et poussent contre la jambe. Cela définira l'espace supérieur. Ensuite, fixez les panneaux au cadre de lit avec les supports (23). Consulta la página siguiente para las ubicaciones de los soportes.

El armario no se muestra para permitir una vista clara del ensamblaje del marco de la cama.

Page 59 - Étape 45

La vue est d'en haut... montrant l'emplacement des supports.

CERCLES NOIRS - UTILISER LA VIS 6 & 7

CERCLES ROUGES - UTILISER LA VIS 6 & 25

Français

Page 60 - Étape 46

Pressez un capuchon en plastique (19j) à chaque extrémité d'une latte de bois (19g). Enfoncez les deux capuchons en plastique (19j), fixés à la latte de bois, dans les trous du cadre de lit en métal. Répétez la procédure pour les 30 lattes de bois et les 60 capuchons en plastique.

Glissez les lattes de bois sous les sangles à chaque coin.

Page 61 : Charges maximales

Cet appareil est conçu pour résister aux charges maximales indiquées. Le dépassement de ces limites de charge pourrait causer un flambage, une instabilité, un effondrement du produit ou des blessures graves. Ce lit est conçu pour accueillir un matelas Queen Size, jusqu'à 10 « d'épaisseur

* d'un poids maximal de 31,8 kg (70 lb)

* d'un poids minimum de 15,9 kg (35 lb)

Lorsque vous avez fini d'assembler votre lit mural, conservez le manuel d'assemblage en le plaçant sous le matelas, dans le cadre de la partie mobile du lit.

Attention : Il peut prendre deux personnes pour ouvrir et fermer le lit.

Lorsque vous avez placé le drap-housse sur le matelas, fixez-le avec les sangles fournies aux 4 coins du cadre de lit.

Gardez le lit fermé lorsqu'il n'est pas utilisé. Il est recommandé de ne pas laisser d'oreillers ou de coussins décoratifs lorsque le lit est fermé afin de préserver le mécanisme.

Page 62 : Enregistrez votre produit pour recevoir ce qui suit :

* Détails des nouvelles tendances : un aperçu de ce qui est nouveau.

* Sondages : Faites entendre votre voix dans notre communauté.

* Offres exclusives et codes de réduction.

* Service de pièces de rechange rapide et facile.

Pour enregistrer votre produit, visitez ameriwoodhome.com

Note de 5 étoiles

Visitez le site Web de votre distributeur local, évaluez le produit acheté et laissez-nous vos commentaires !

Merci!