

# 7769339COM Full Wall Bed

Mr. Kate®

Date of Purchase \_\_\_ / \_\_\_ / \_\_\_  
Lot Number:

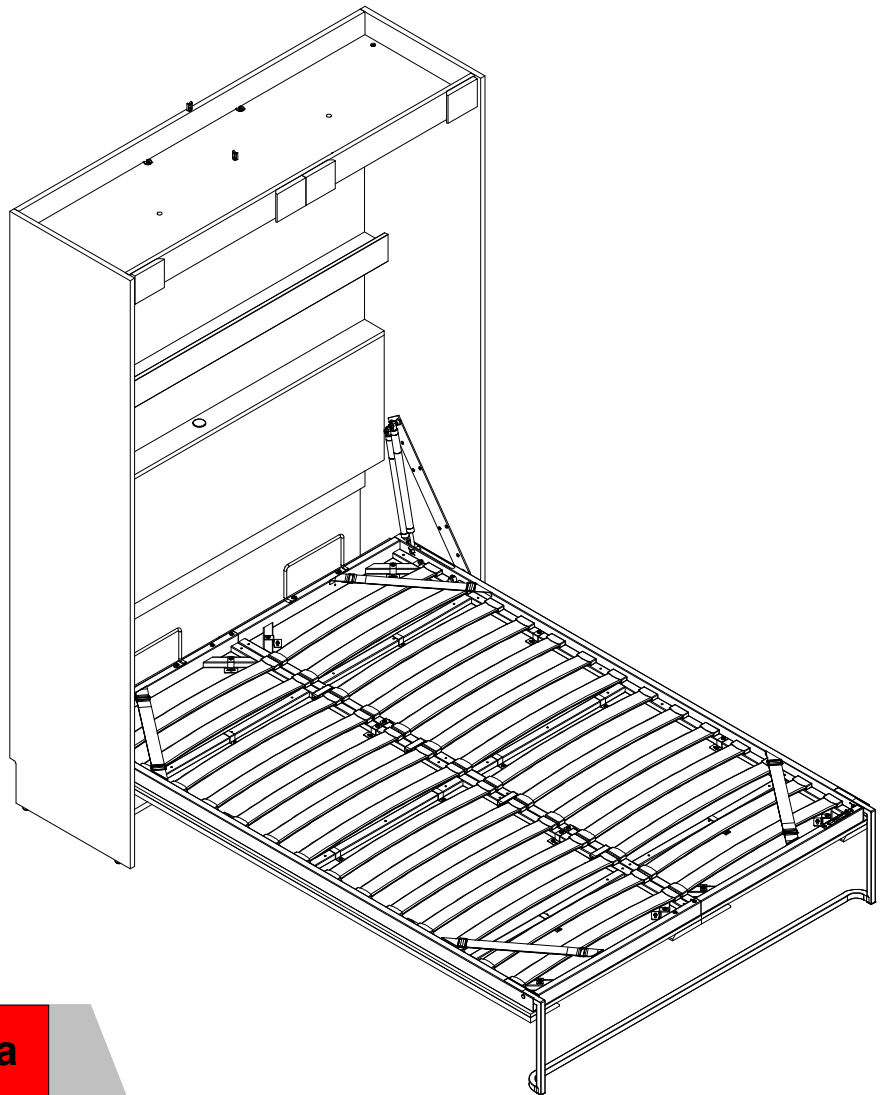
B347769339COM0

## WARNING:

### \* WARNING FOR YOUNG CHILDREN -

This product contains small components, please ensure that they are kept away from small children. Children under the age of 6, small infants and babies must not sleep on this bed for safety reasons. To prevent injury and damage to this unit, PROHIBIT jumping on it.

\* This product is designed for home use and not intended for commercial use.



**We highly recommend having a professional assemble your product**

THIS INSTRUCTION BOOKLET CONTAINS **IMPORTANT** SAFETY INFORMATION. PLEASE READ AND KEEP FOR FUTURE REFERENCE.

### Do Not Return This Product!

Contact our customer service team for help first.

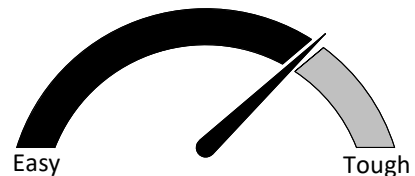
**Call:** 1-800-489-3351 (toll free)

**Visit:** [www.ameriwoodhome.com](http://www.ameriwoodhome.com)



## WARNING

- Unit can tip over causing severe injury or death.
- Anchor unit to stud in wall
- Do Not allow children to climb on unit



Assembly Difficulty Meter

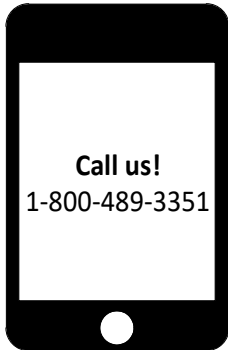
Follow Ameriwood Home



# Contact Us!

## Do NOT return this product!

Contact our friendly customer service team first for help.



Visit [ameriwoodhome.com](http://ameriwoodhome.com) to view the limited warranty valid in the U.S. and Canada.

# Helpful Hints

## PEOPLE NEEDED FOR ASSEMBLY: 2

- Open your item in the area you plan to keep it to avoid excessive heavy lifting.



- Identify, sort and count the parts before attempting assembly.



- Make sure to always face the point on the top of the Cam Lock towards the outer edge.

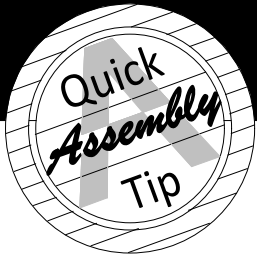


- Do NOT use harsh chemicals or abrasive cleaners on this item.



- Never push, pull, or drag your furniture.



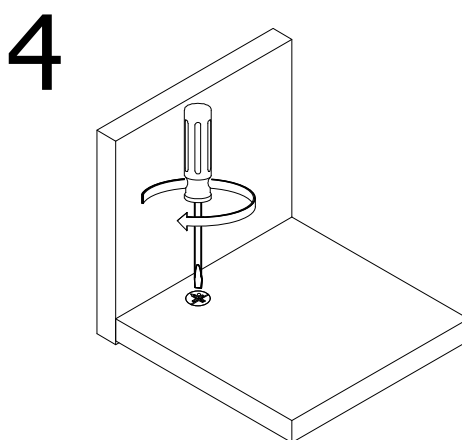
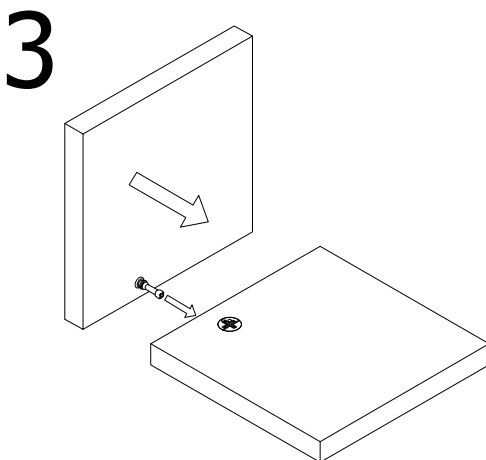
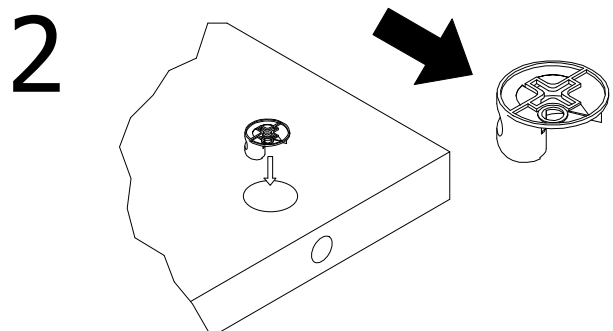
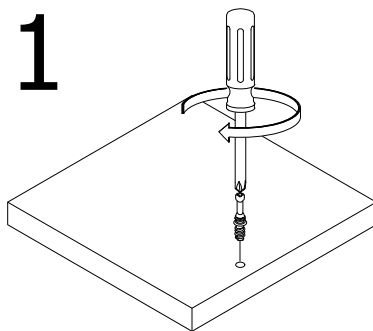


# Before You Start

- ✓ Read through each step carefully and follow the proper order
- ✓ Separate and count all your parts and hardware  
Parts are labeled on the surface or edge of the part
- ✓ Give yourself enough room for the assembly process
- ✓ Have the following tools: #2 Phillips Head Screwdriver, Hammer, Level, Stud Finder, Pencil, Step Ladder, Rubber Mallet and a Drill with 1/8" and 1/4" bits.
- ✓ Caution: If using a power drill or power screwdriver for screwing, please be aware to slow down and stop when screw is tight. Reduce torque setting to a lower level so the drill will skip when the screw is tight. Failure to do so may result in stripping the screw.

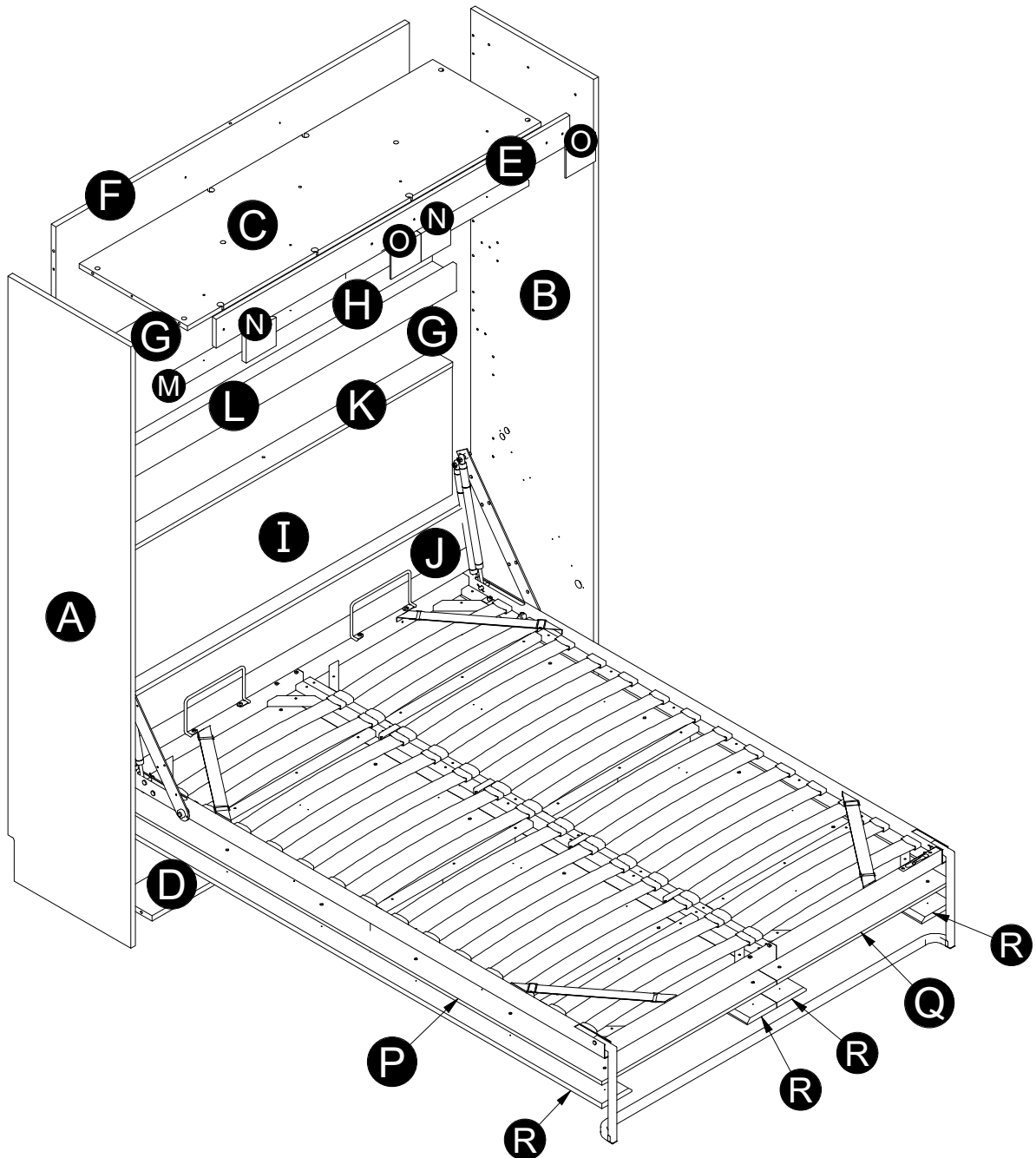
# Cam Lock Fastening System

This Cam Lock Fastening System will be used throughout the assembly process.



# Board Identification

Not actual size





# Board Identification

Parts List

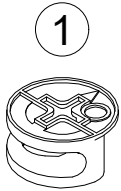
ITEM	QTY	PART NUMBER	DESCRIPTION
A	1	37769339010	LEFT PANEL
B	1	37769339020	RIGHT PANEL
C	1	37769339030	TOP
D	1	37769339040	BOTTOM
E	1	37769339050	VALANCE
F	1	37769339060	UPPER BACK PANEL
G	2	37769339070	CENTER BACK PANEL
H	1	37769339080	UPPER SHELF
I	1	37769339090	HEADBOARD PANEL
J	1	37769339100	BOTTOM STRINGER
K	1	37769339110	LOWER SHELF
L	1	37769339120	SHELF RAIL
M	1	37769339130	STOP RAIL
N	2	37769339140	LEFT UPPER RAIL
O	2	37769339150	RIGHT UPPER RAIL
P	1	37769339160	LEFT DOOR PANEL
Q	1	37769339170	RIGHT DOOR PANEL
R	4	37769339180	VERTICAL DOOR MOLDING

Note that your unit may contain extra hardware

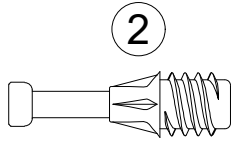
Mr. Kate®

# Part List

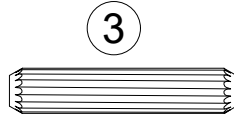
## Actual Size



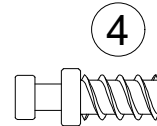
(x30)  
#A22620  
cam lock



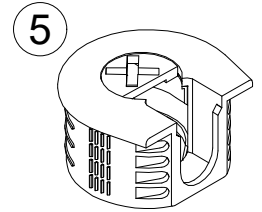
(x30)  
#A22610  
cam bolt



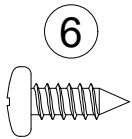
(x30)  
#A21660  
wood dowel



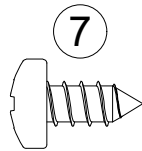
(x12)  
#A22910  
connector bolt



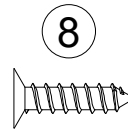
(x12)  
#A22900  
connector



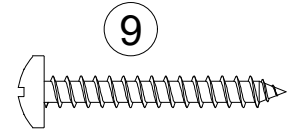
(x32)  
#A14220  
#10 x 1/2" pan



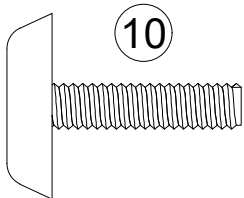
(x16)  
#A15520  
#14 x 1/2" pan



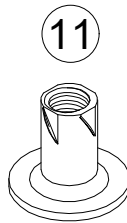
(x16)  
#A12400  
#8x5/8" flat head



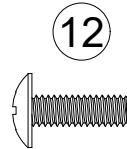
(x4)  
#A13020  
#8x1-1/4" pan head



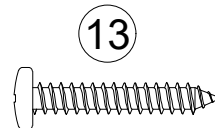
(x4)  
#A43020  
glide



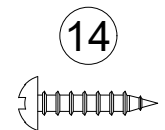
(x4)  
#A20330  
nut



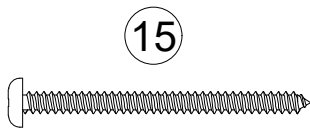
(x1)  
#A17200  
#8x 1/2" pan head



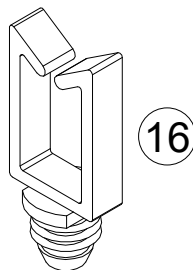
(x32)  
#A12810  
#8x1" pan head



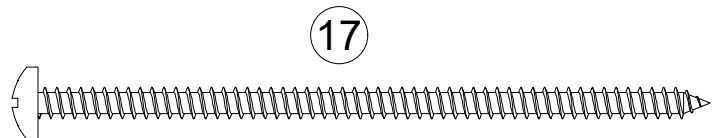
(x2)  
#A11170  
#6x 5/8" pan head



(x2)  
#A11800  
#6x 1-1/2" pan head



(x2)  
#A81090  
wire saddle



(x8)  
#A13950  
#8x3-1/2" pan head

# Part List

Not Actual Size

18

ATTENTION / ATENCION / ATTENTION

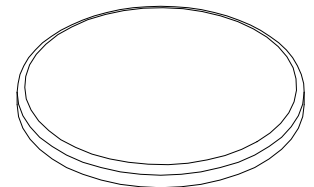
(x1)  
#B64481  
warning label

19

shown on page 35

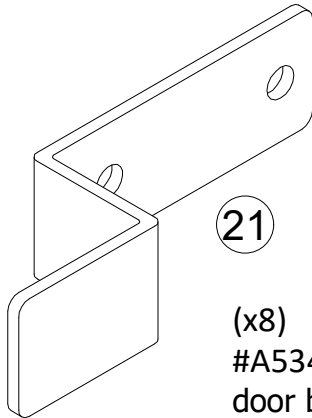
(x1)  
A99570  
dual LED light kit

20



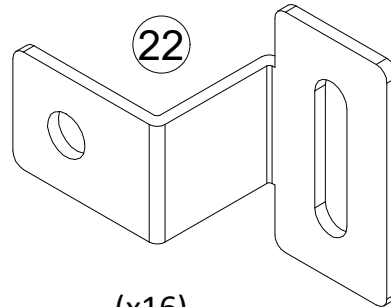
(x1)  
A81340  
touch sensor disk

21



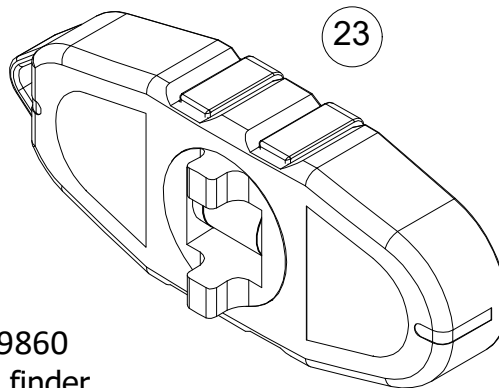
(x8)  
#A53460  
door bracket

22



(x16)  
#A53470  
door bracket

23

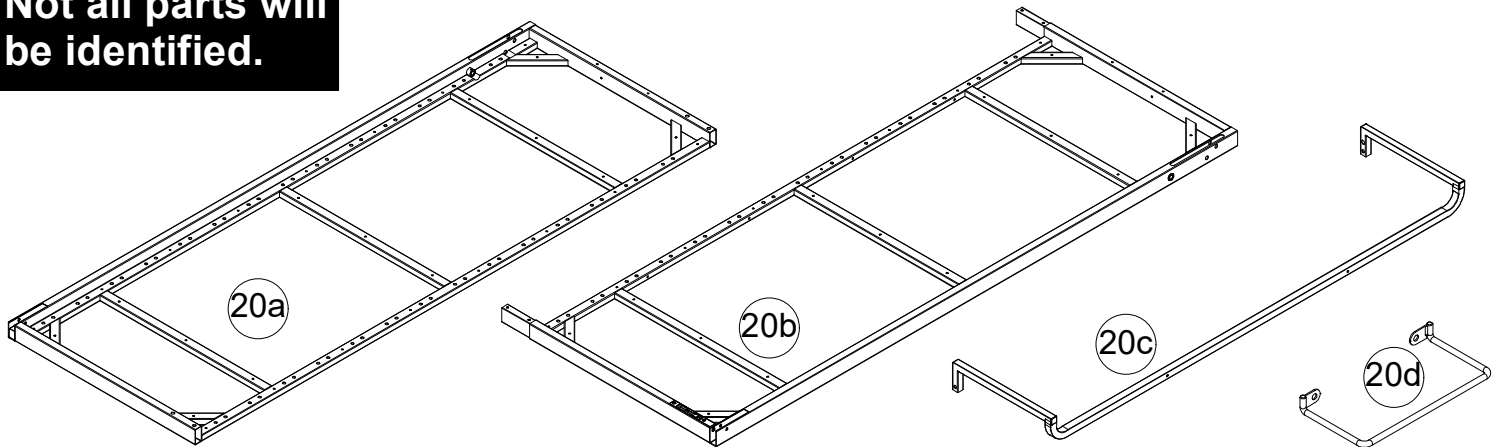


(x1)  
#A99860  
stud finder

# Bed Frame Identification

Not Actual Size

**Note:**  
Not all parts will  
be identified.

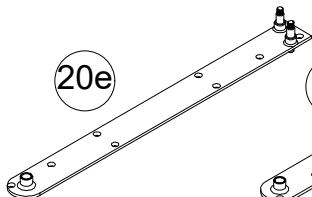


Left Assembly  
3678096-20a

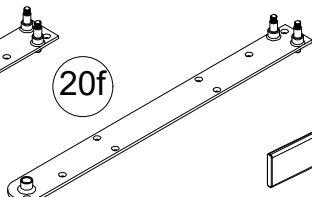
Right Assembly  
3678096-20b

Leg  
3678096-20c

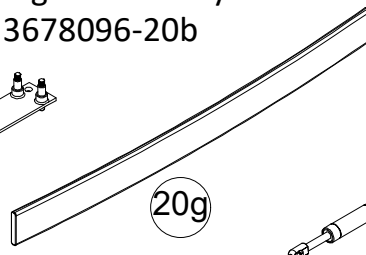
Mattress Holder (2)  
3678096-20d



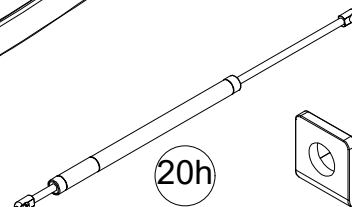
Left Pivot Arm  
3678096-20e



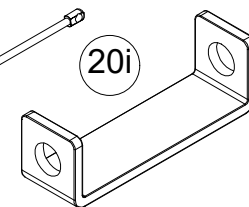
Right Pivot Arm  
3678096-20f



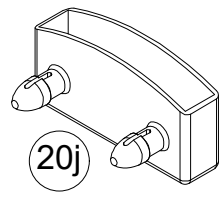
Wood Slat (28)  
3678096-20g



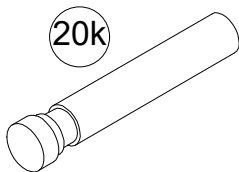
Gas Piston (4)  
3678096-20h



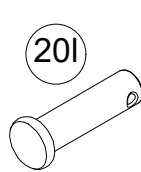
U-Bracket (4)  
3678096-20i



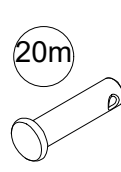
Plastic Cap (56)  
3678096-20j



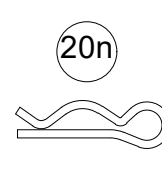
Pivot Pin (2)  
3678096-20k



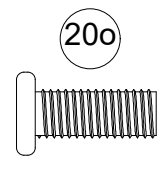
Large Clevis Pin (4)  
3678096-20l



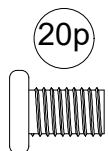
Small Clevis Pin (2)  
3678096-20m



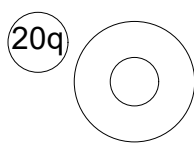
Cotter Pin (6)  
3678096-20n



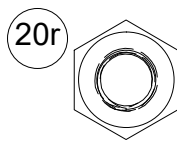
M6 x 16mm Bolt (12)  
3678096-20o



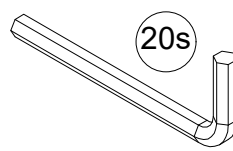
M6 x 10mm Bolt (6)  
3678096-20p



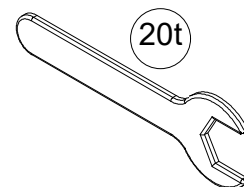
Washer (8)  
3678096-20q



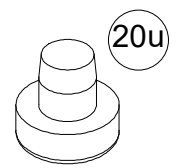
Hex Nut (4)  
3678096-20r



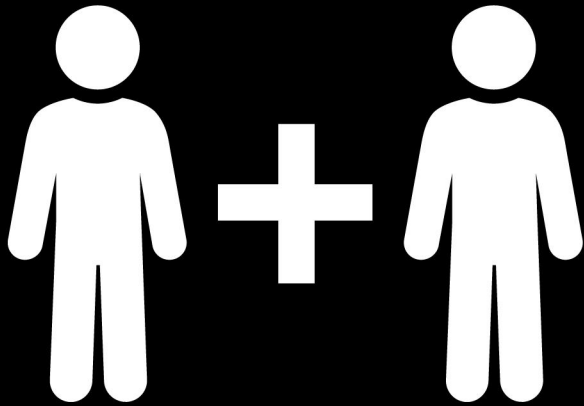
4mm Hex Key  
3678096-20s



Wrench  
3678096-20t



Rubber Foot (2)  
3678096-20u



**2 PEOPLE NEEDED FOR ASSEMBLY**

**2 PERSONAS NECESITADAS  
PARA LA ASAMBLEA**

**2 PERSONNES NÉCESSAIRES  
POUR L'ASSEMBLAGE**

**CAUTION:** Failure to use 2 people for assembly could result in unit damage or personal injury.

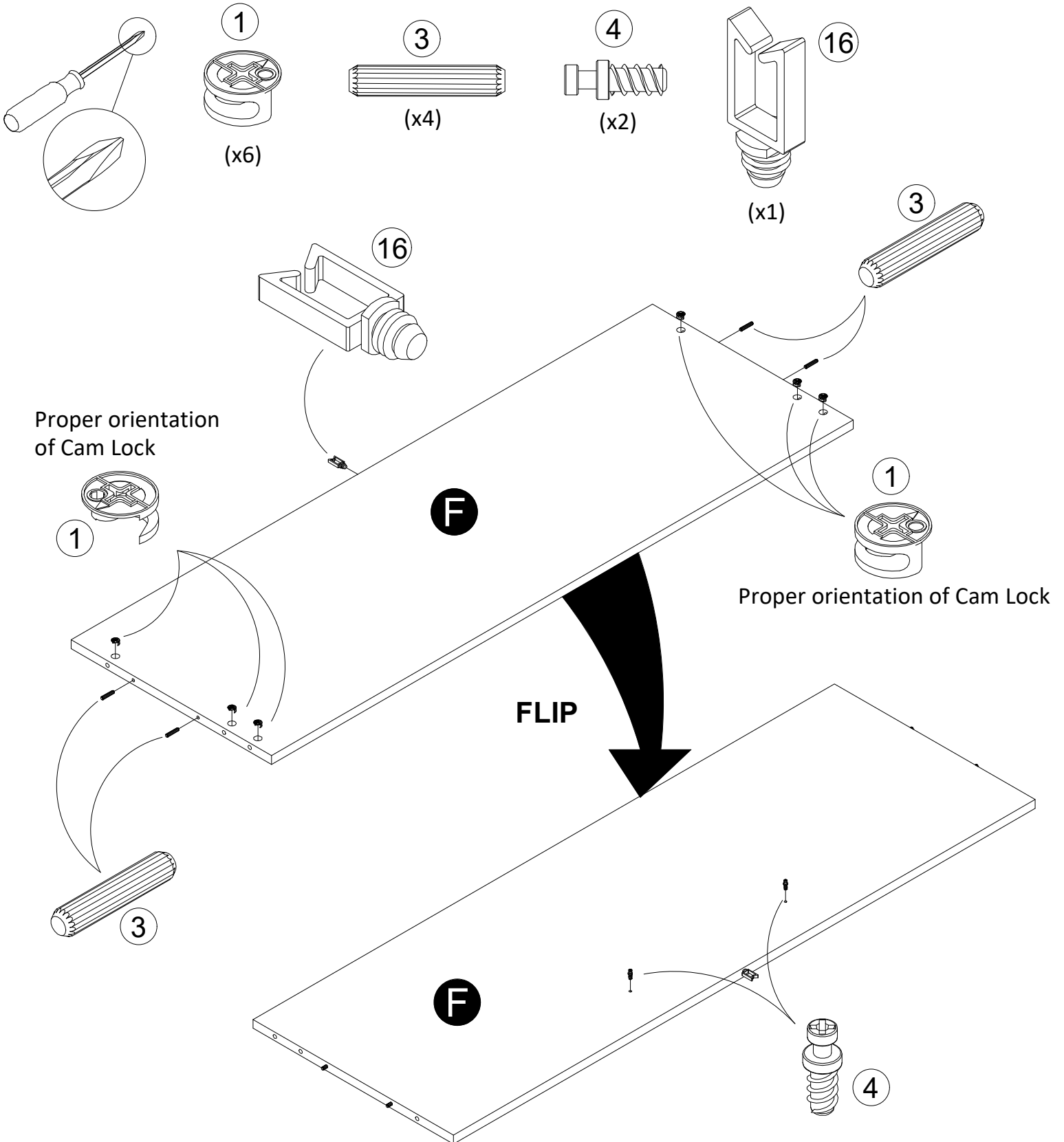
**PRECAUCIÓN:** Si no se utilizan 2 personas para el ensamblaje, se pueden producir daños en la unidad o lesiones personales.

**ATTENTION:** Échec d'utiliser 2 personnes pour l'assemblage peut causer du dommage au meuble ou causer des blessures.

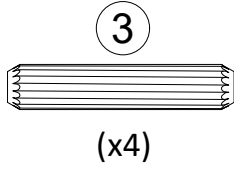
**VERY IMPORTANT INFORMATION  
INFORMACION MUY IMPORTANTE  
INFORMATION TRÈS IMPORTANTES**

# STEP 1

Mr. Kate®

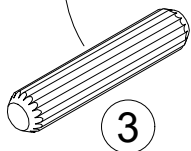
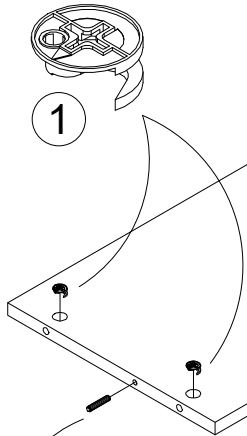


# STEP 2

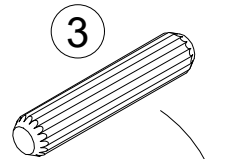


x2

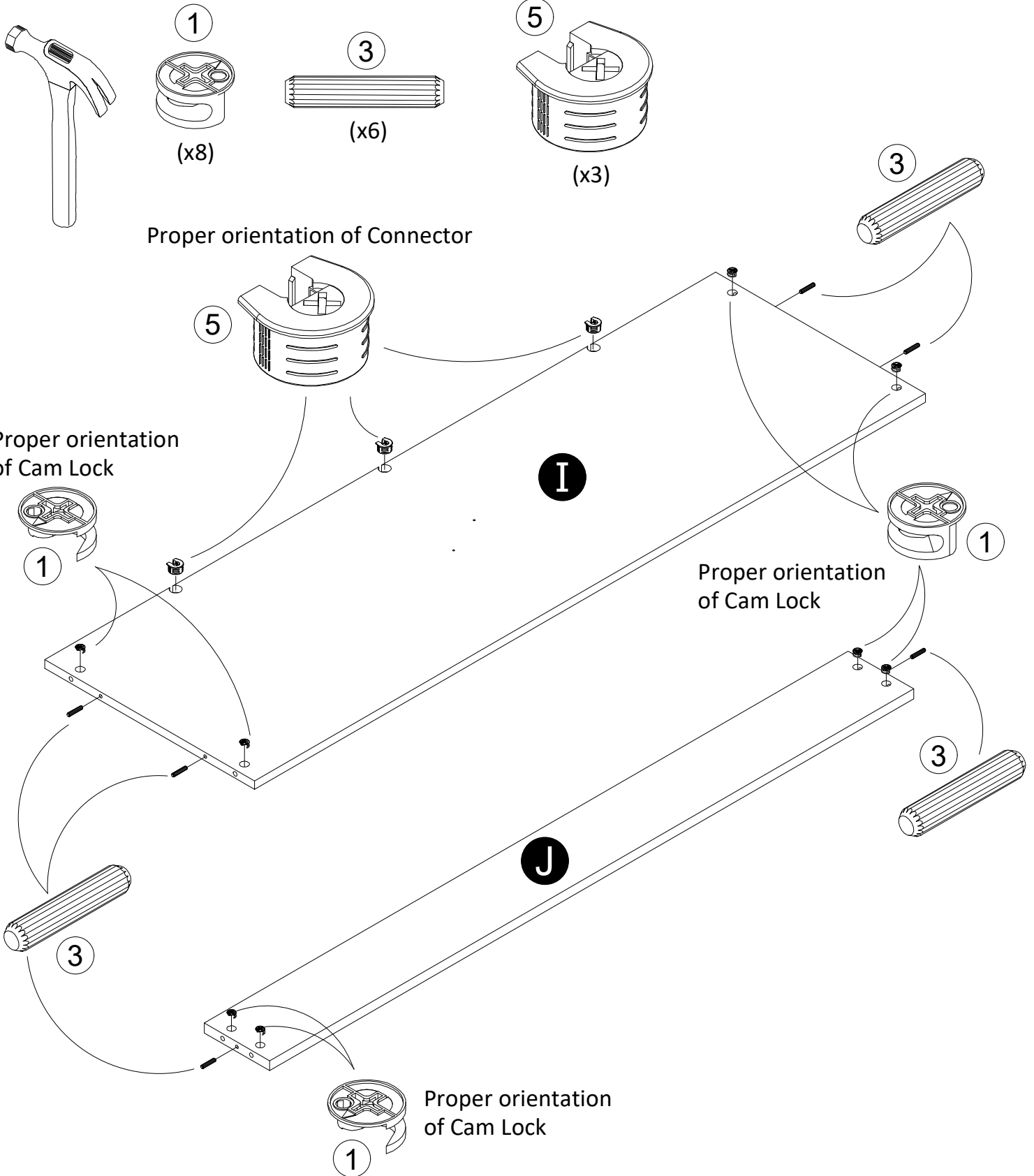
Proper orientation of Cam Lock



Proper orientation of Cam Lock

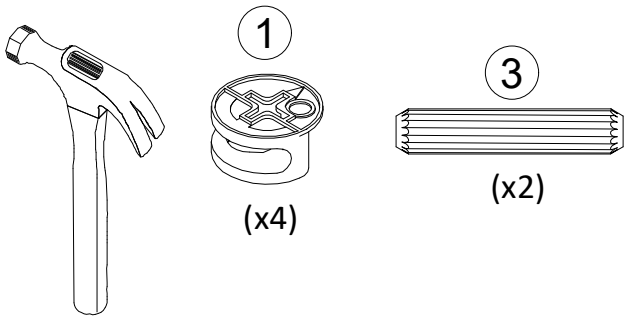


# STEP 3

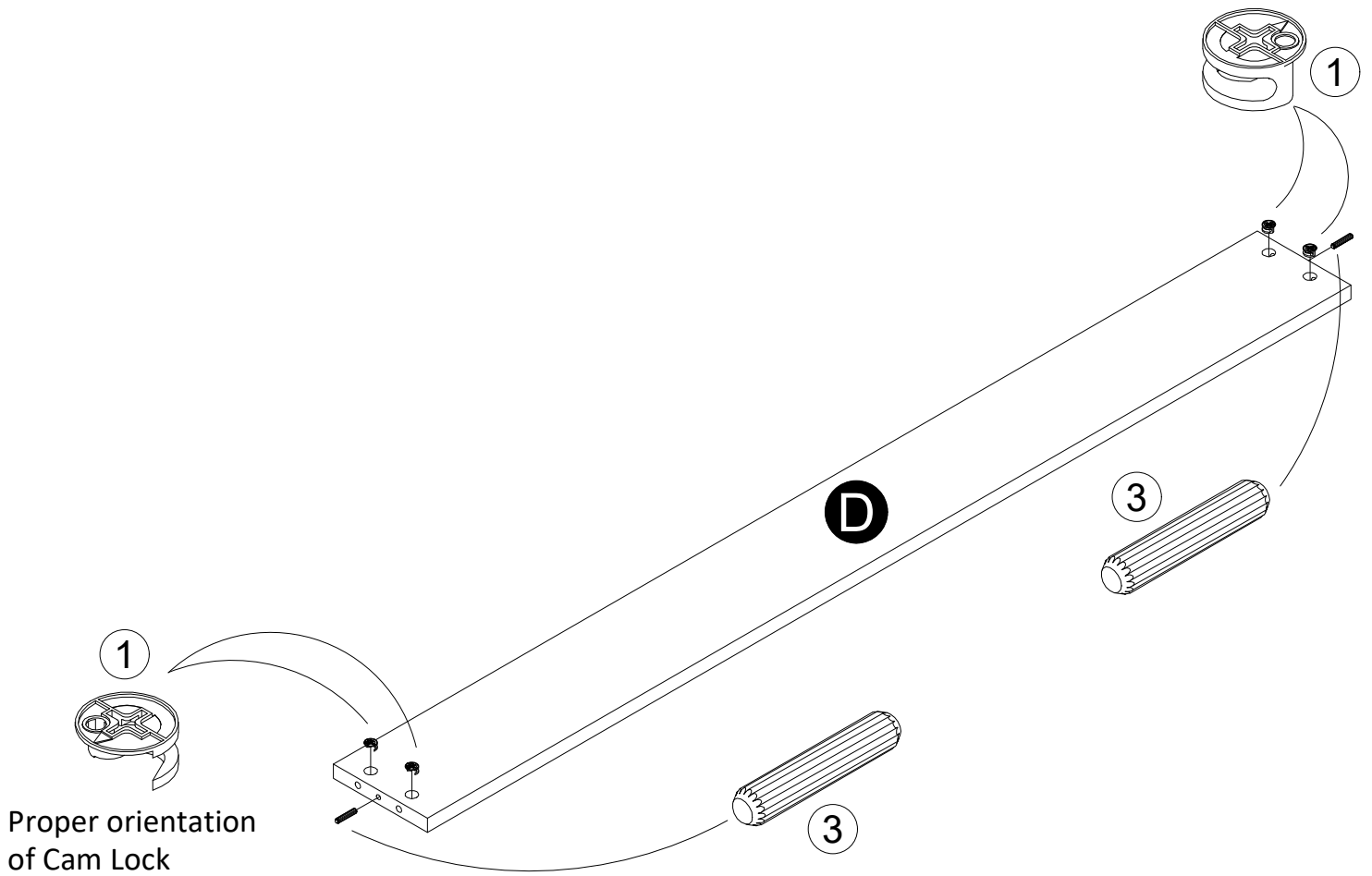




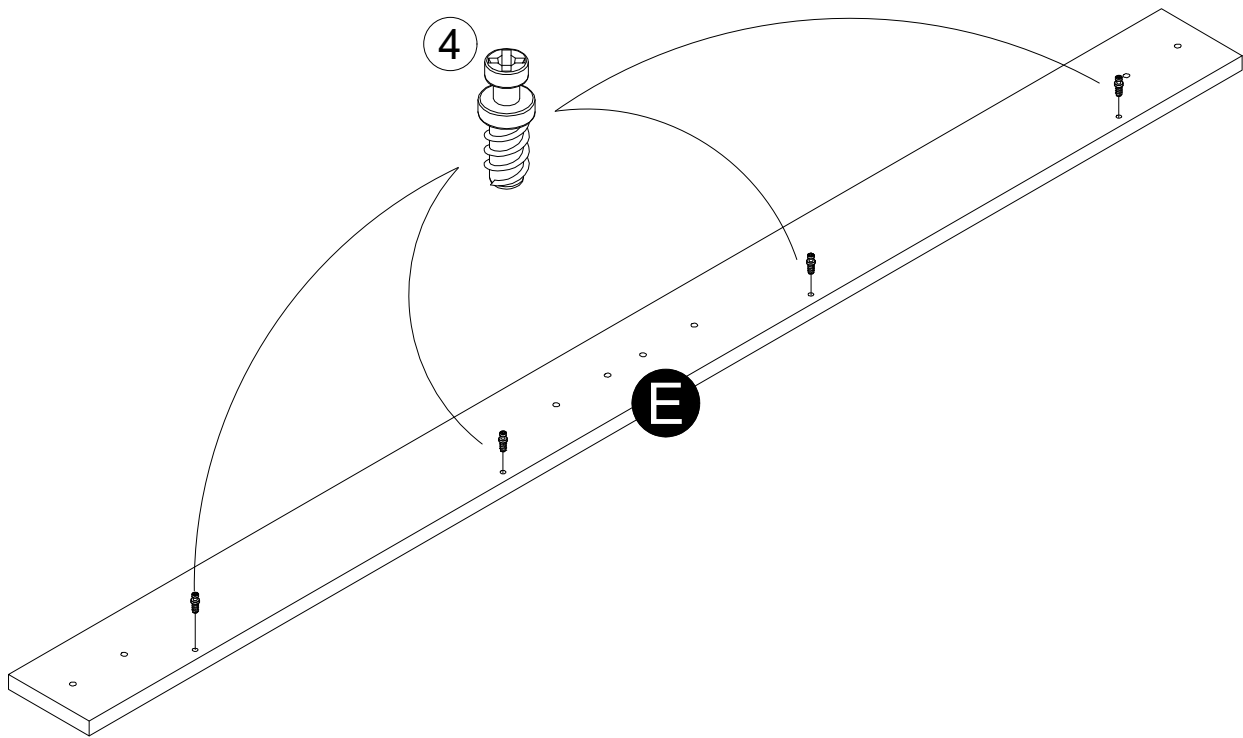
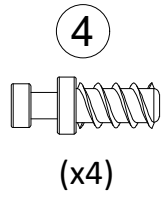
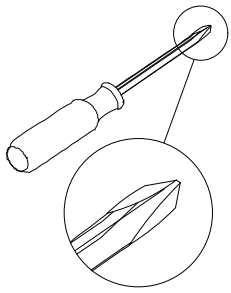
# STEP 4



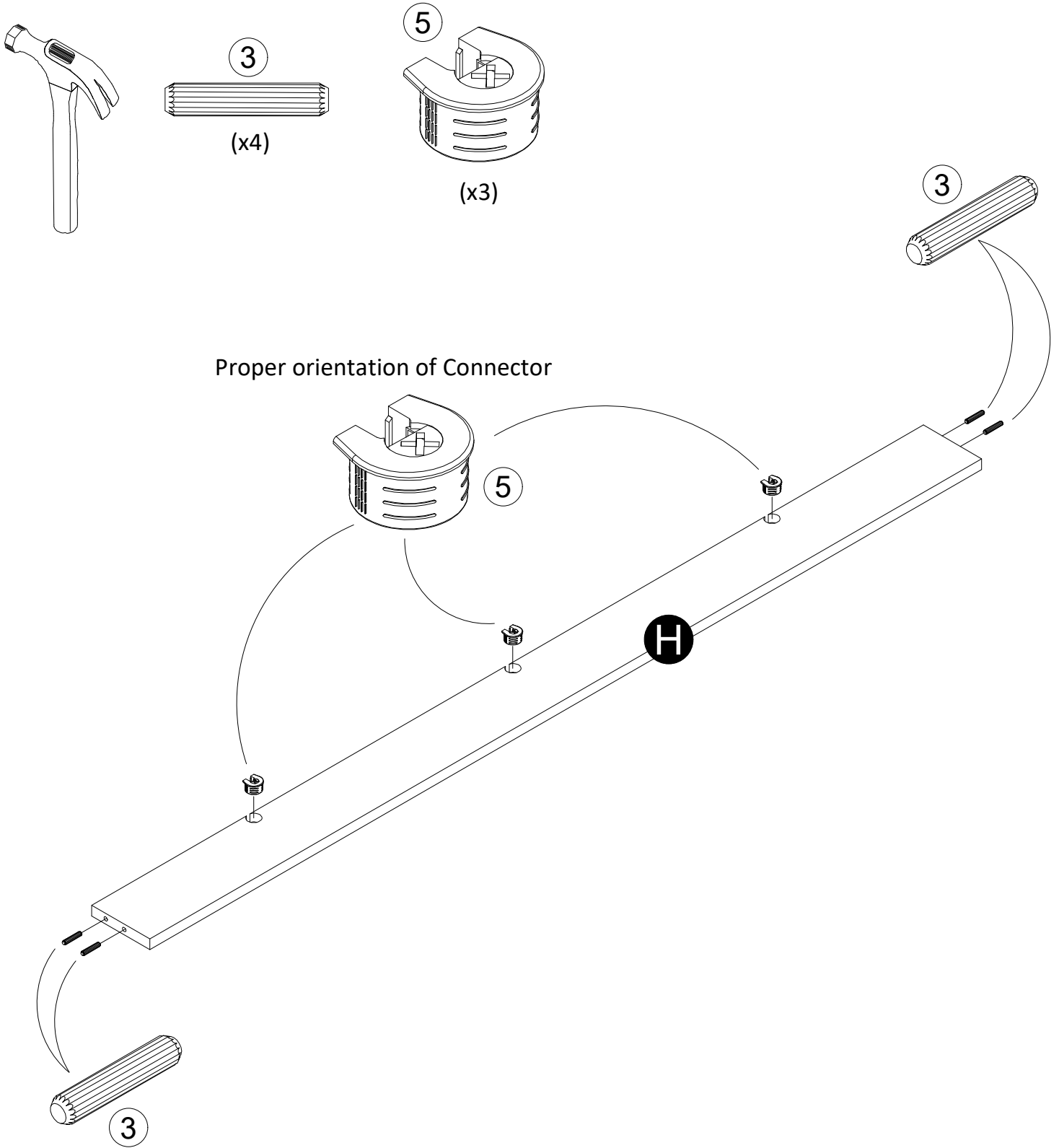
Proper orientation of Cam Lock



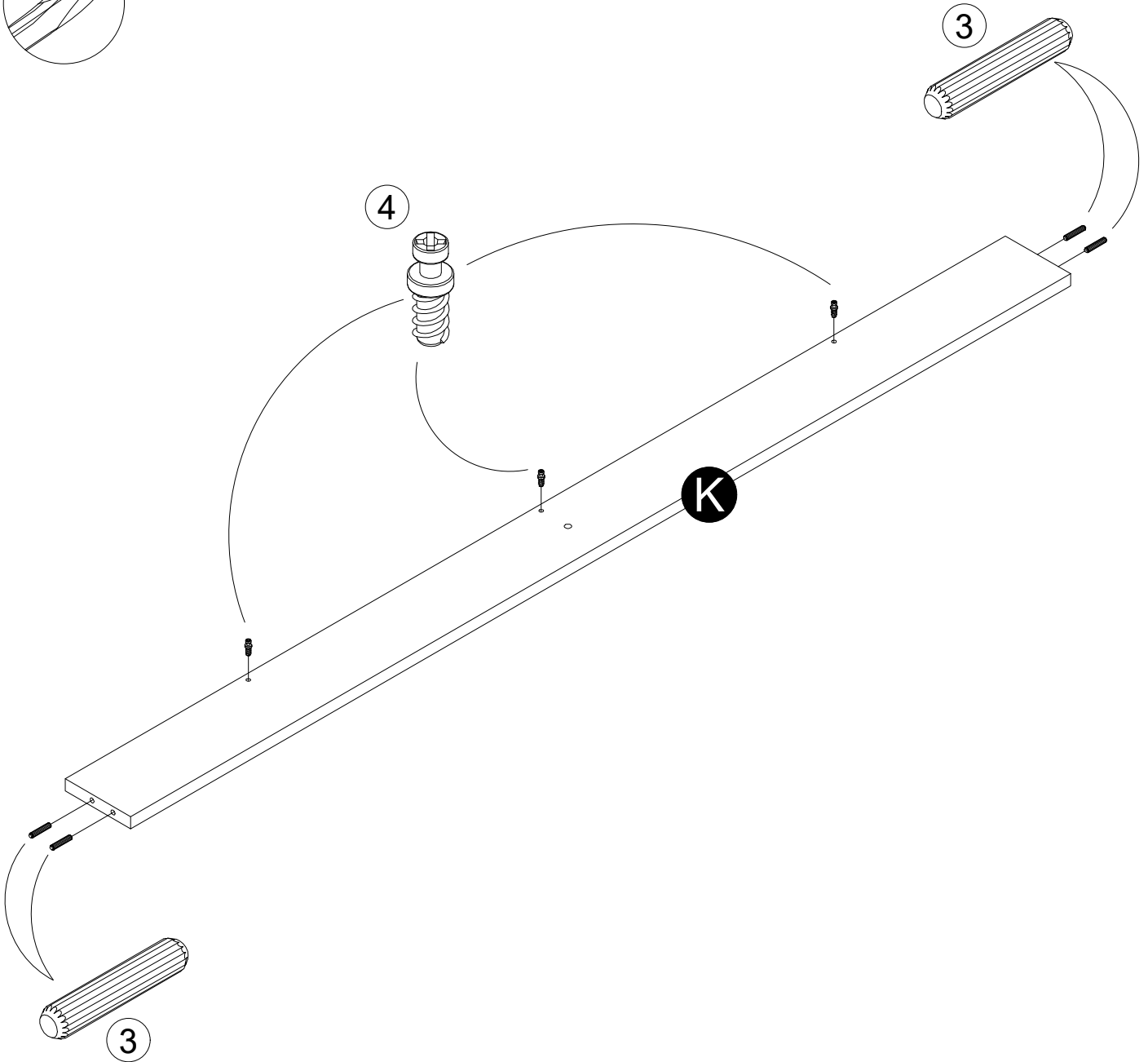
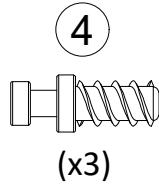
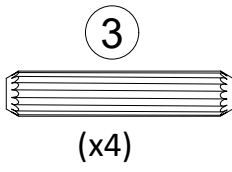
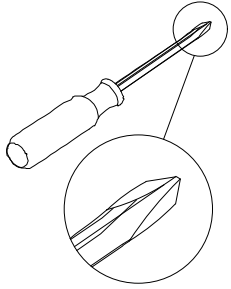
# STEP 5



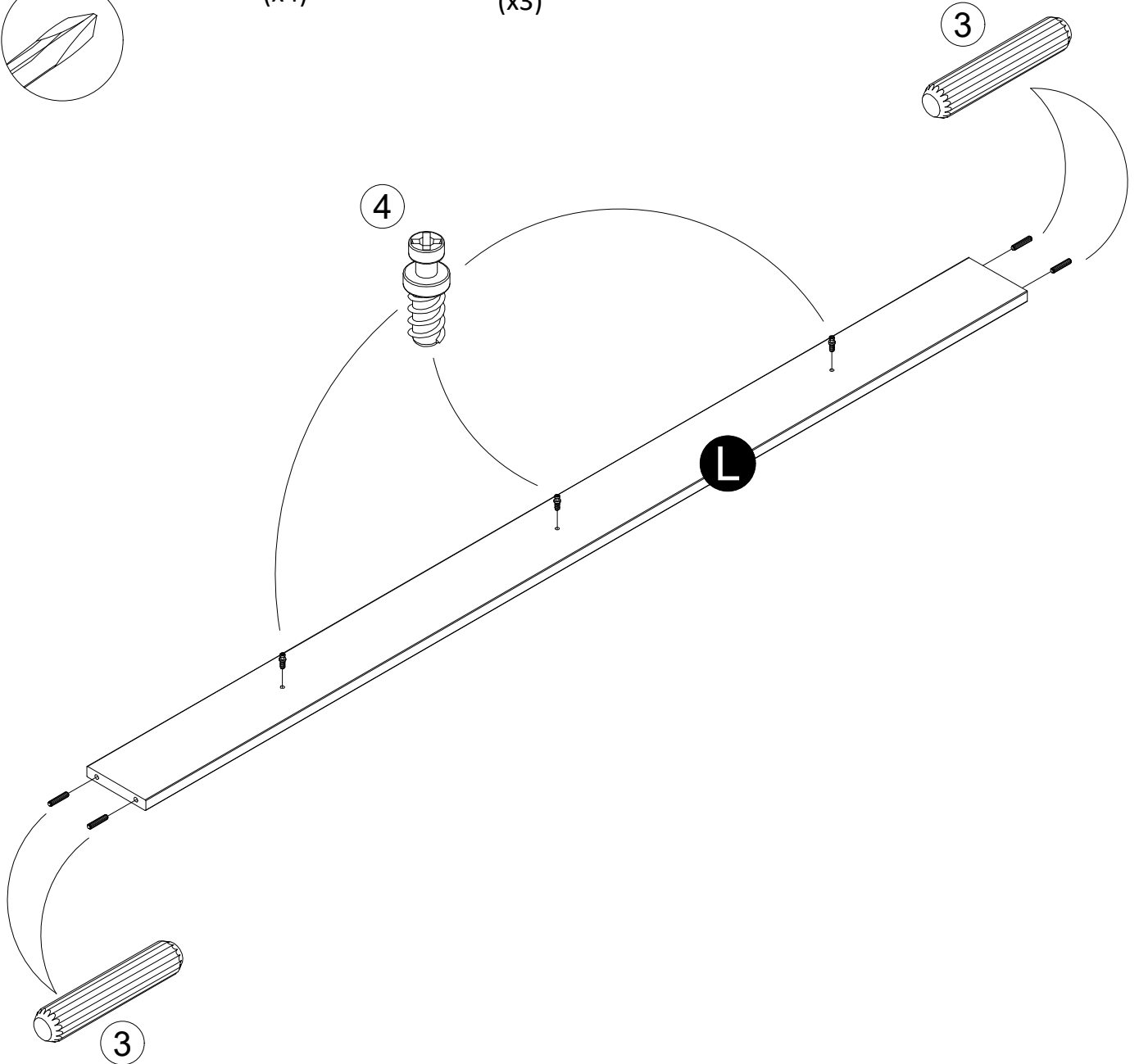
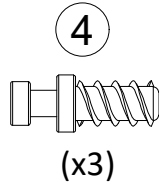
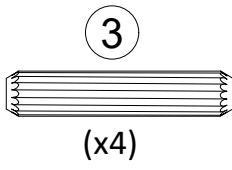
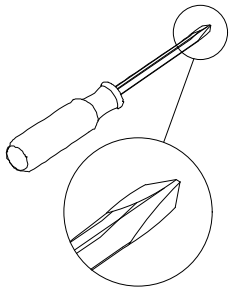
# STEP 6



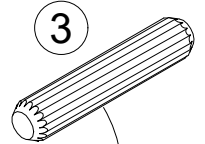
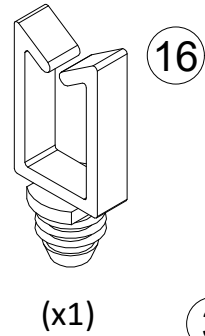
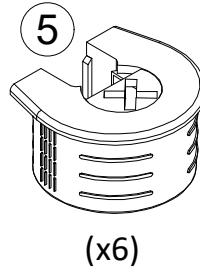
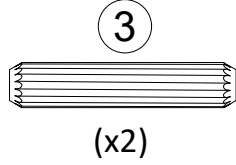
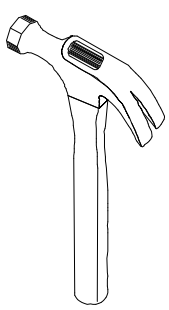
# STEP 7



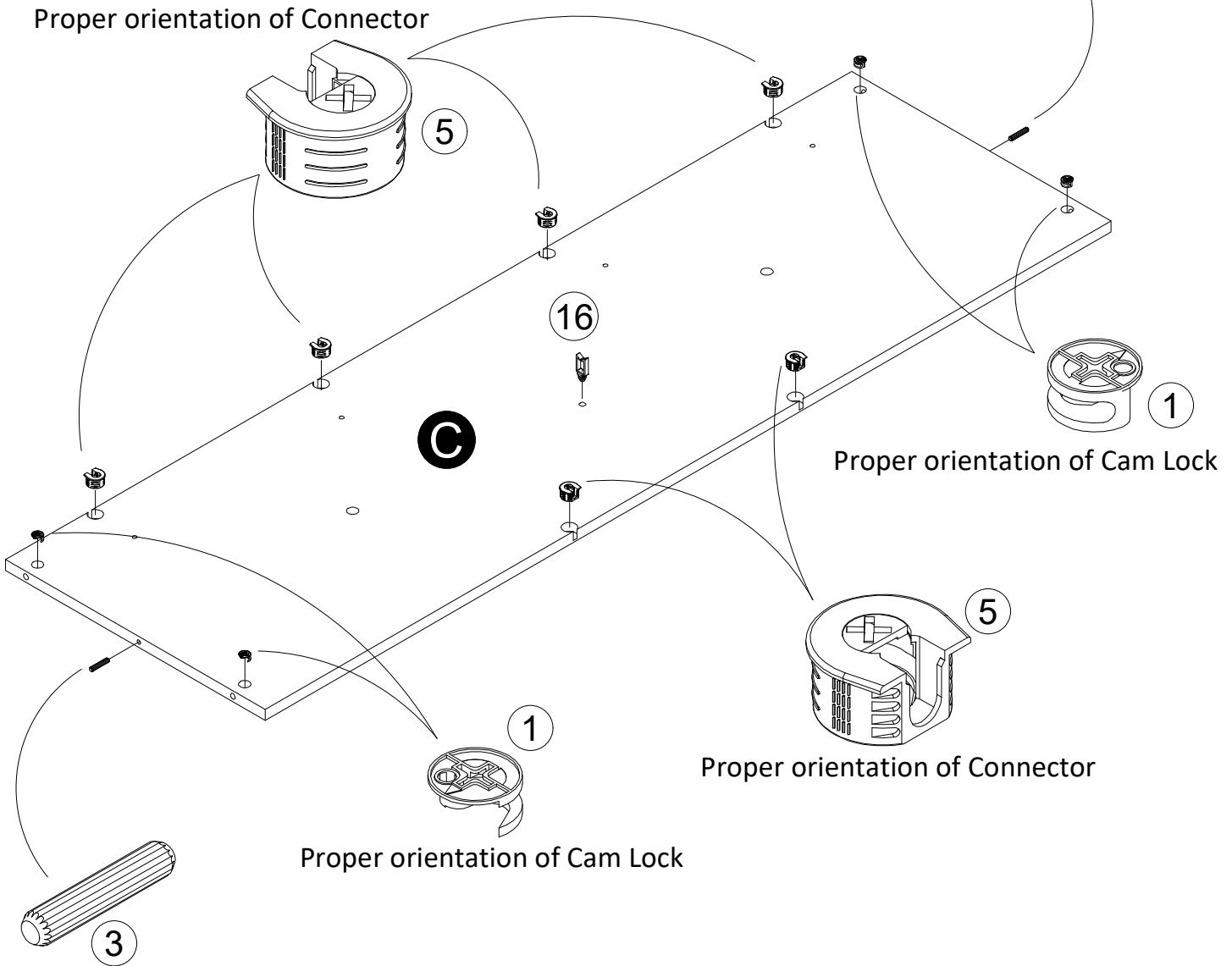
# STEP 8



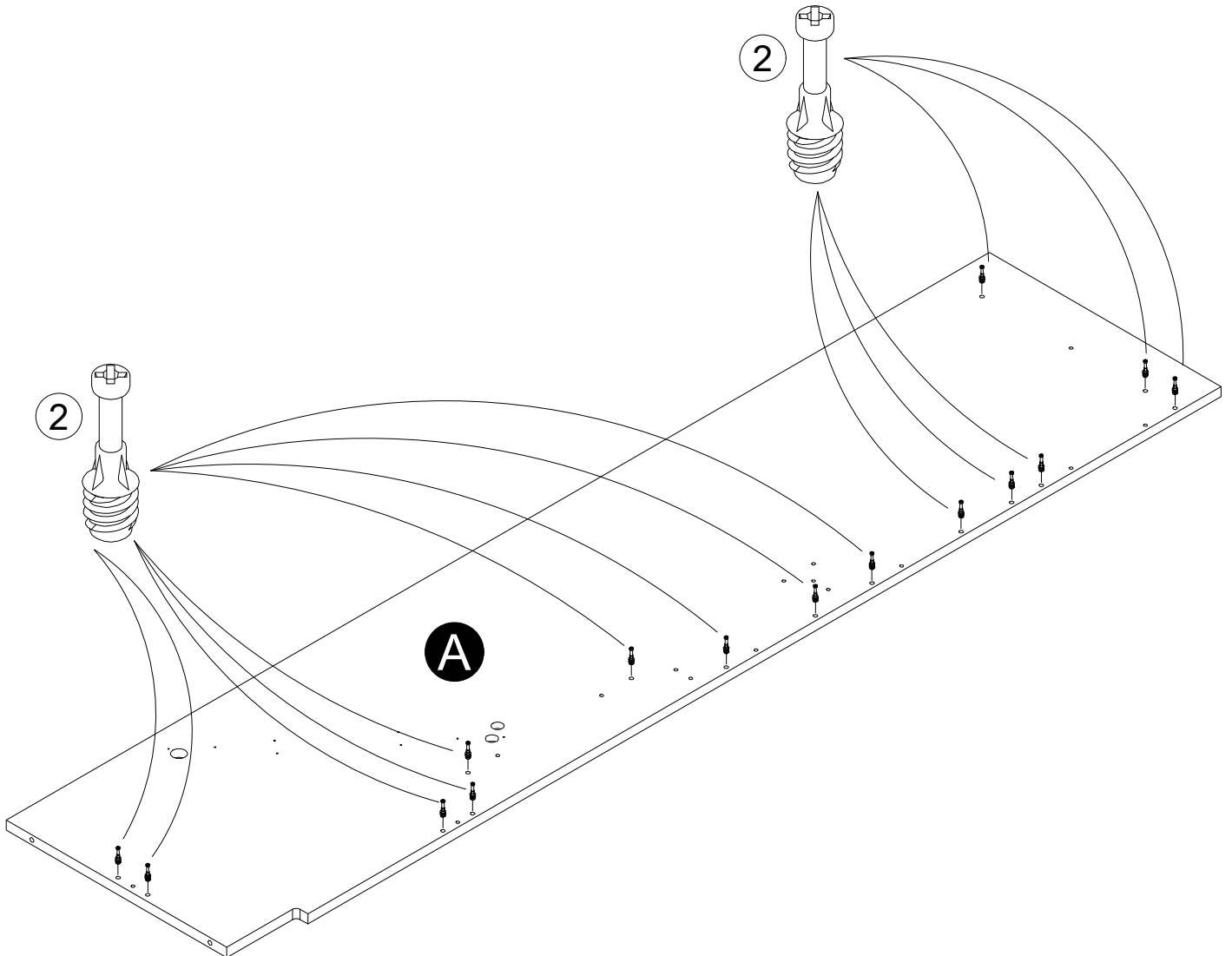
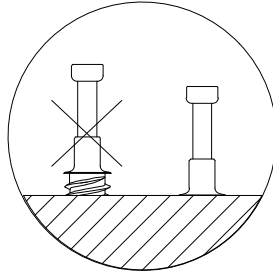
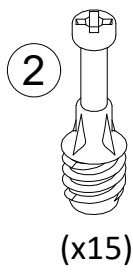
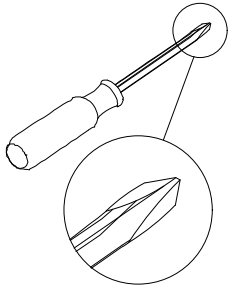
# STEP 9



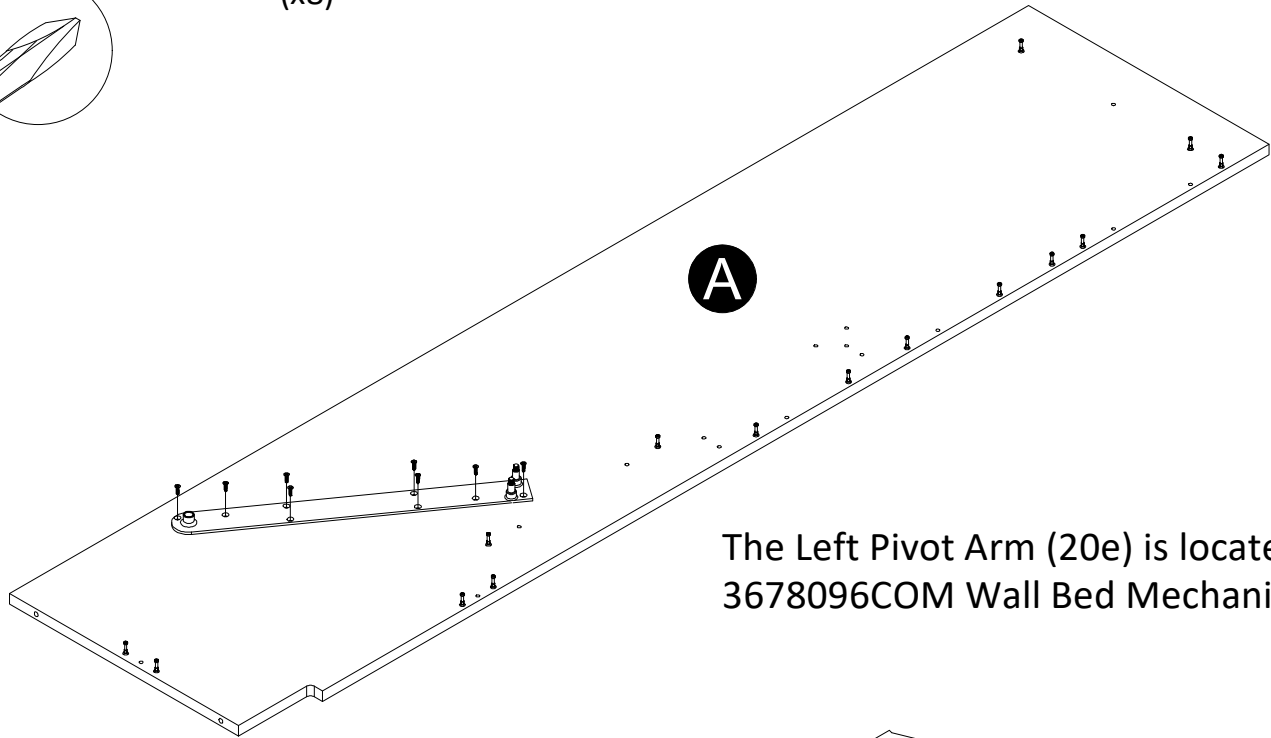
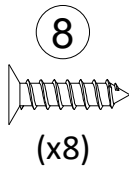
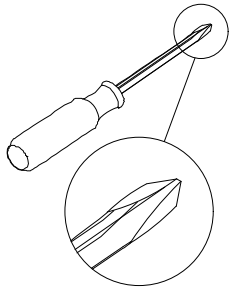
Proper orientation of Connector



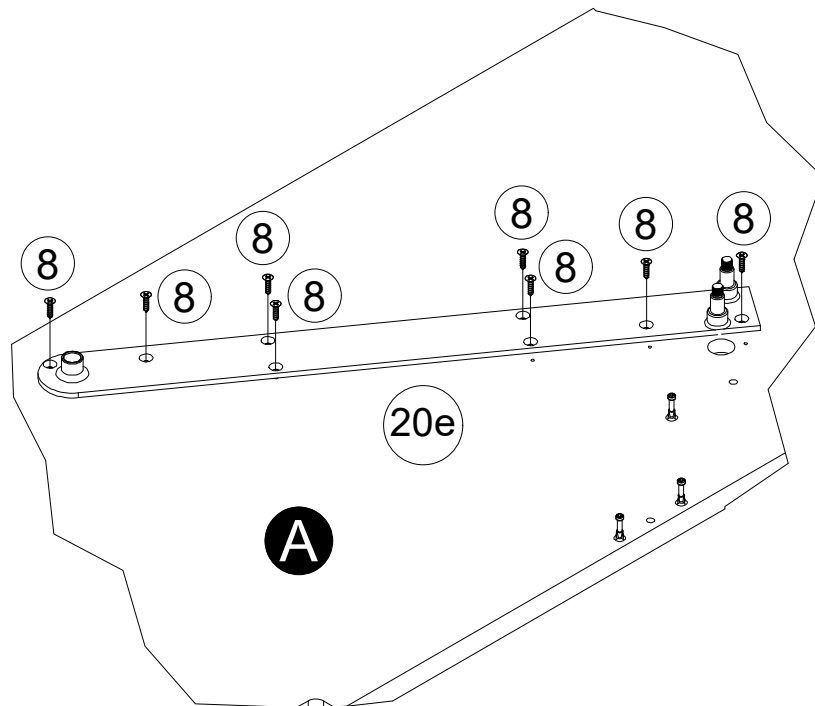
# STEP 10



# STEP 11

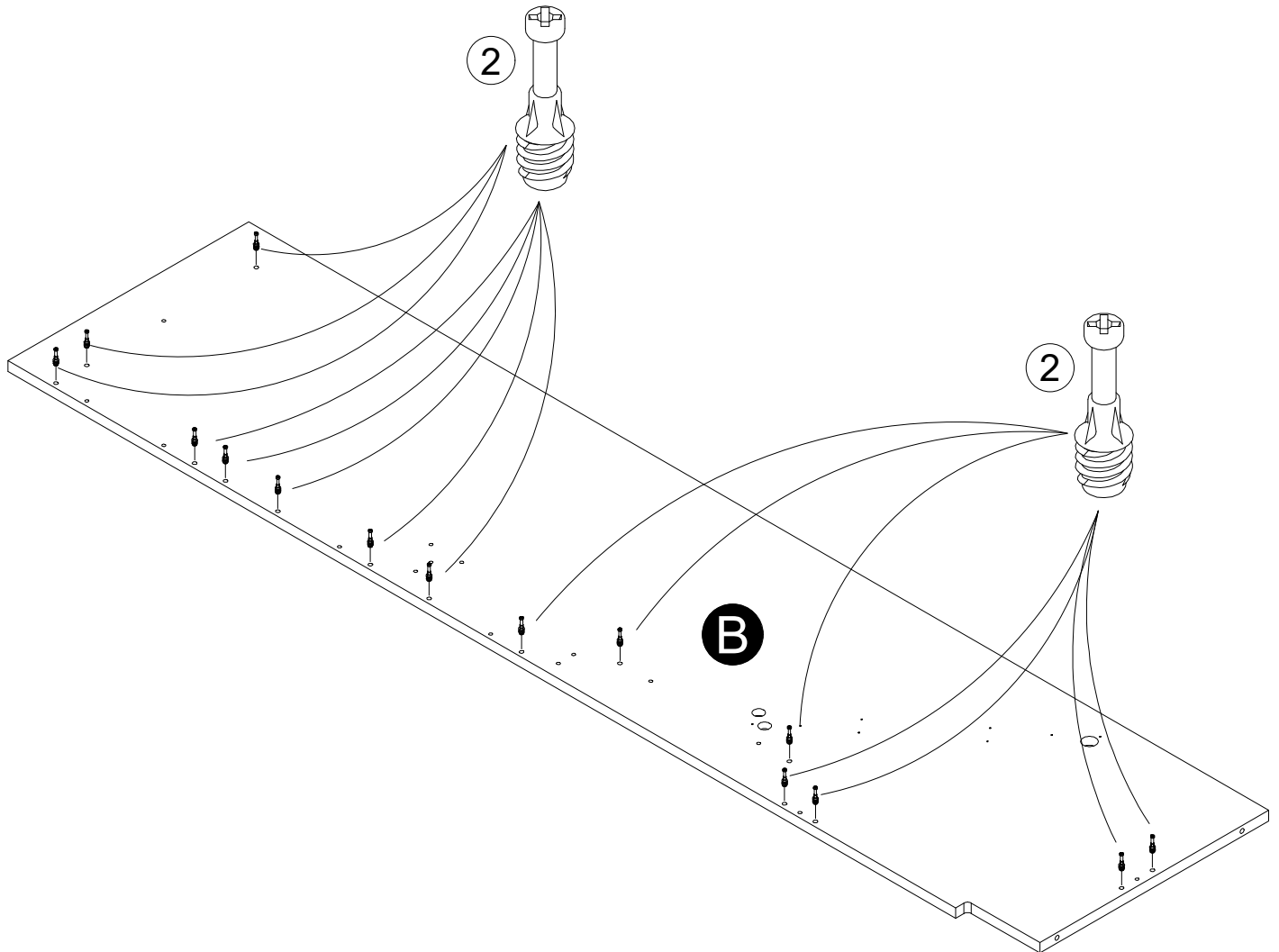
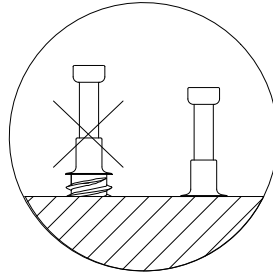
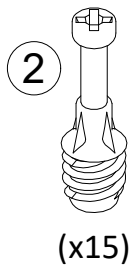
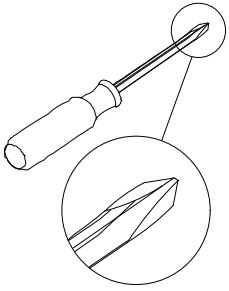


The Left Pivot Arm (20e) is located in the 3678096COM Wall Bed Mechanism box

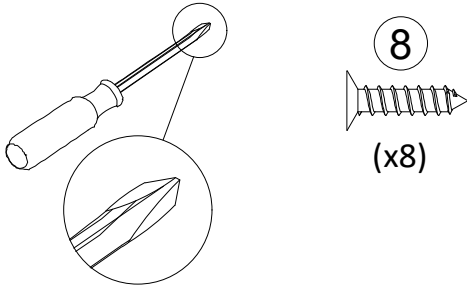




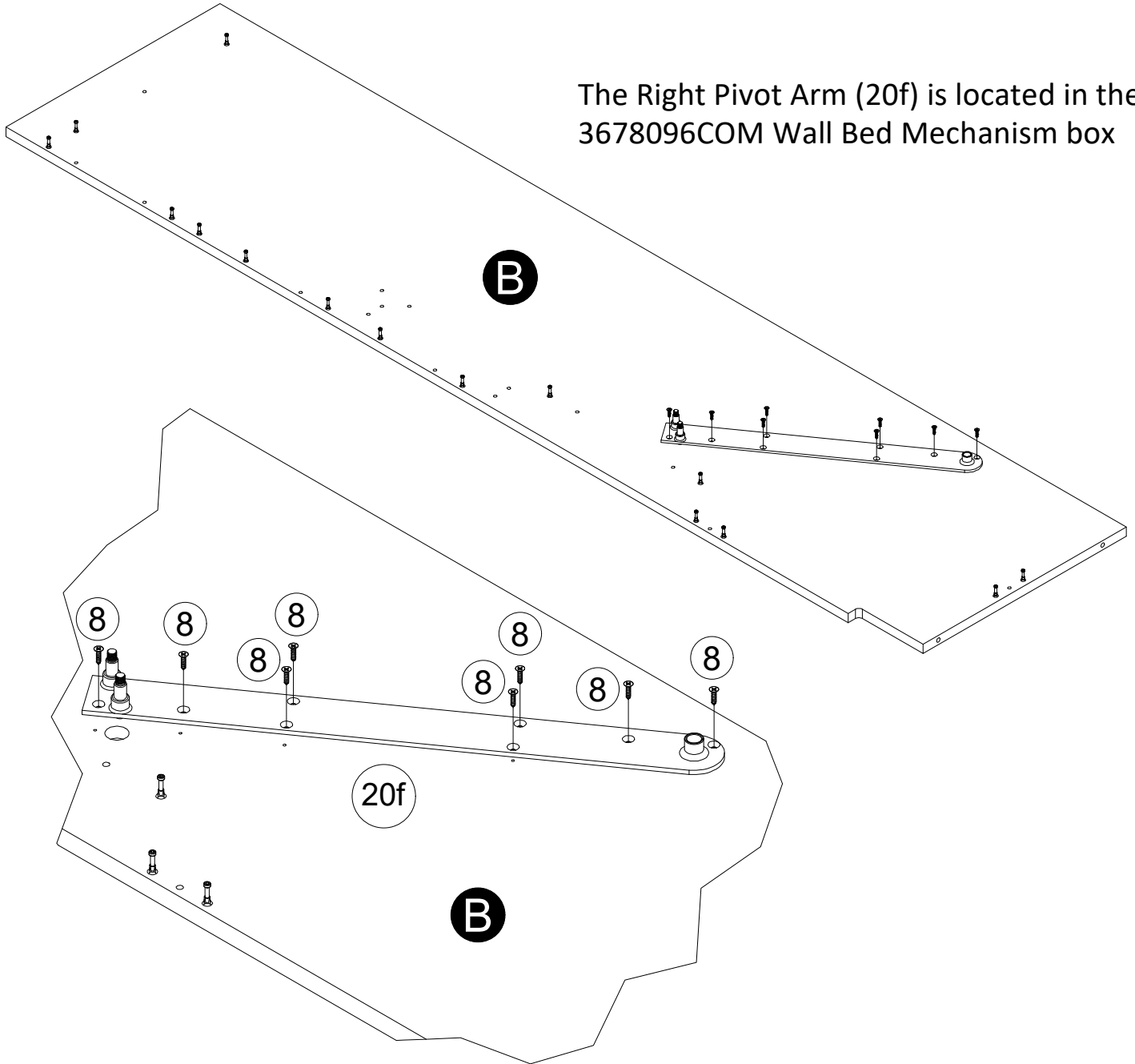
# STEP 12



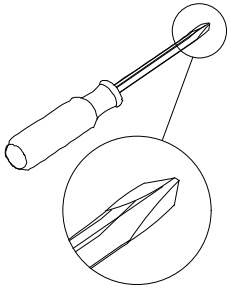
# STEP 13



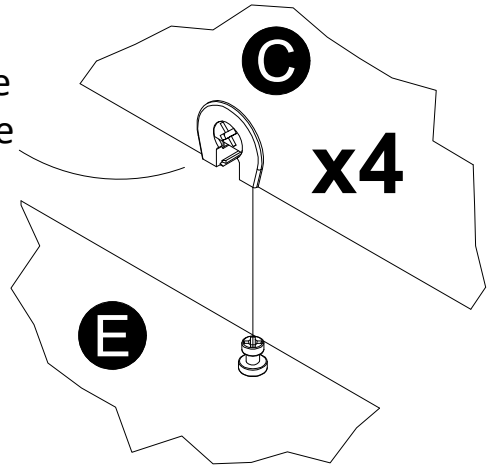
The Right Pivot Arm (20f) is located in the 3678096COM Wall Bed Mechanism box



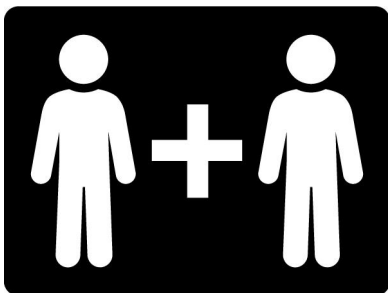
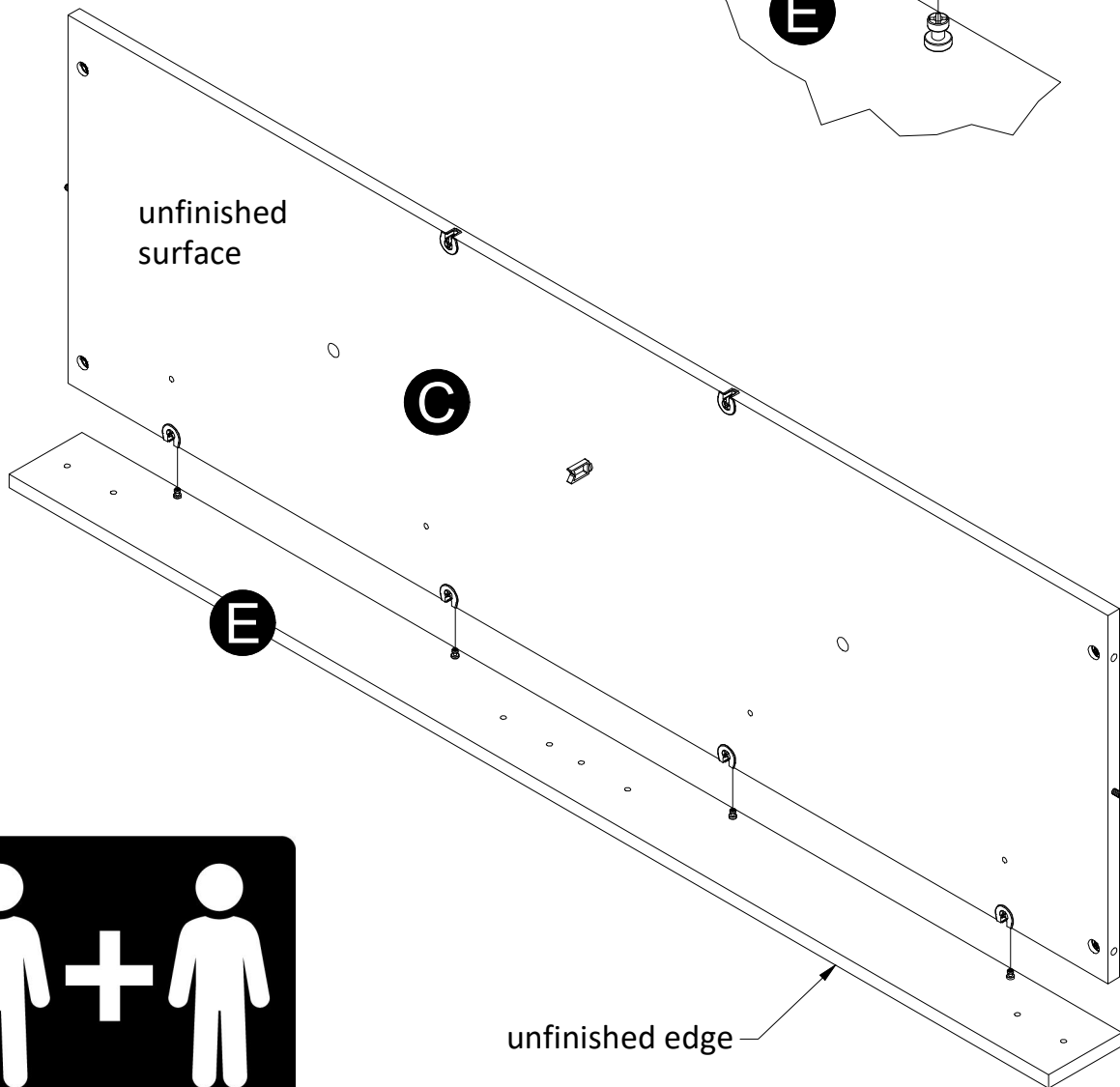
# STEP 14



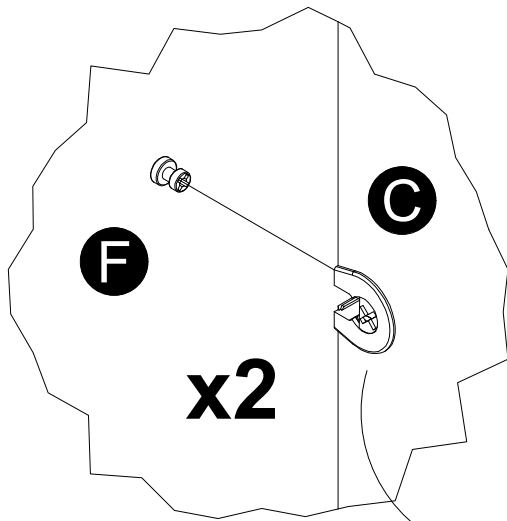
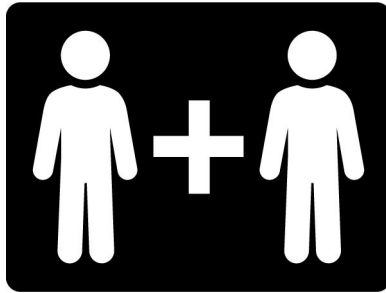
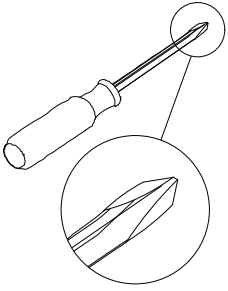
Turn clockwise to lock in place



**Assembly orientation is critical!**

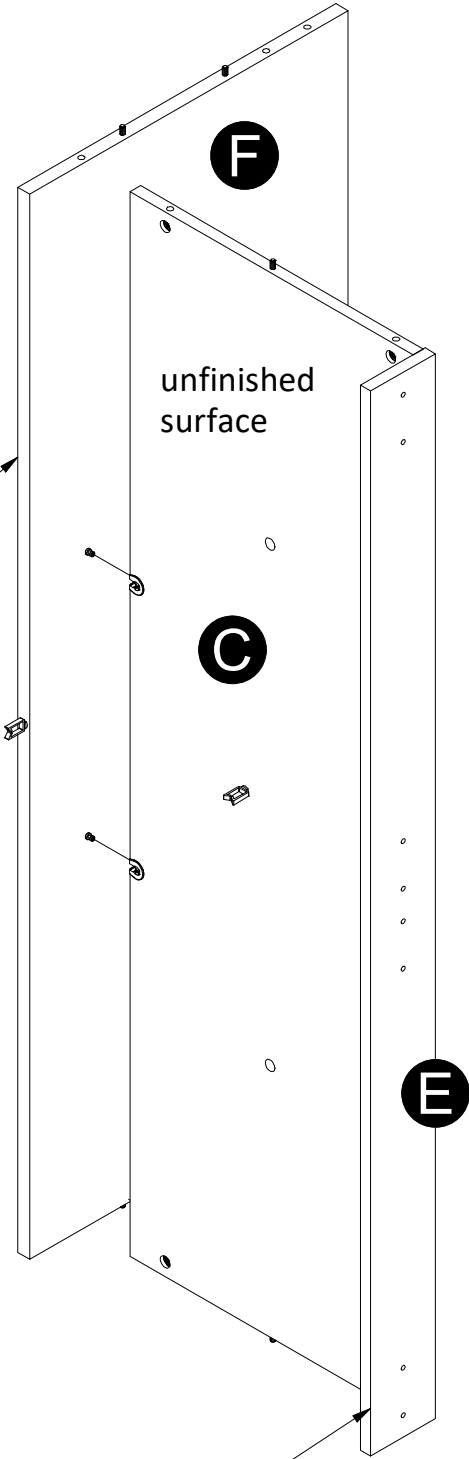


# STEP 15



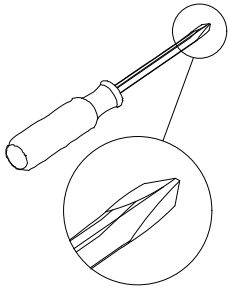
Turn clockwise to lock in place

unfinished edge

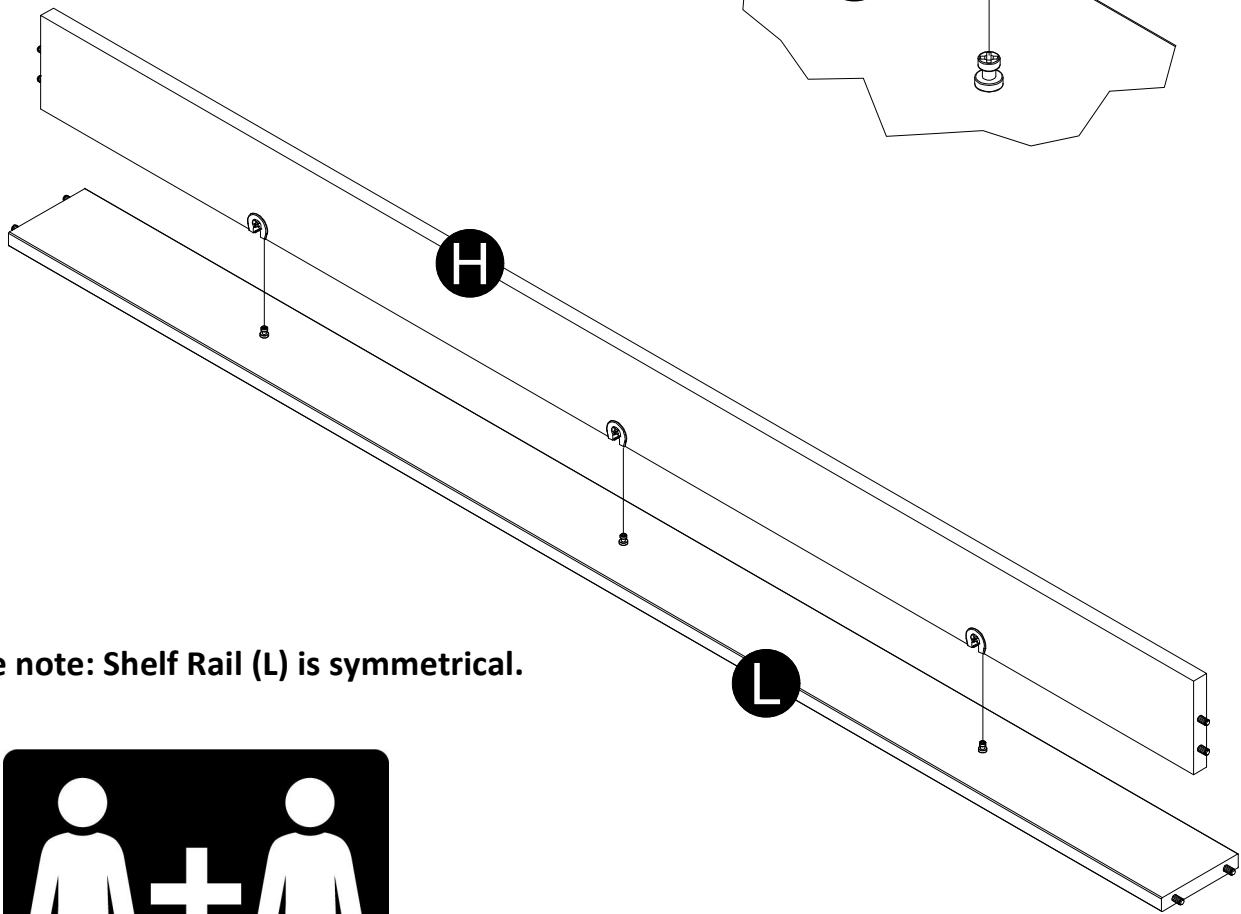
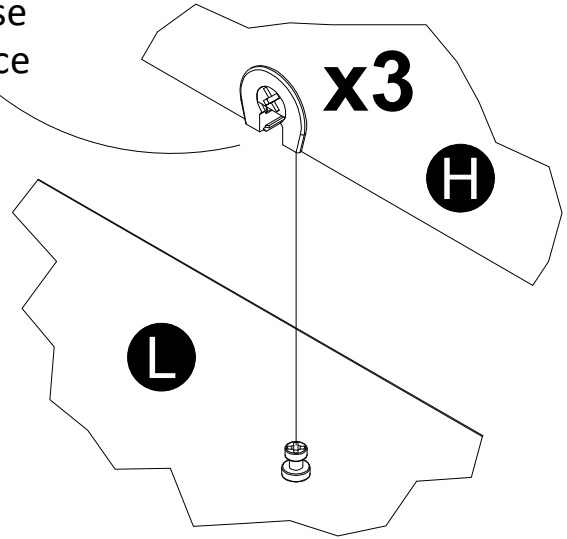


unfinished edge

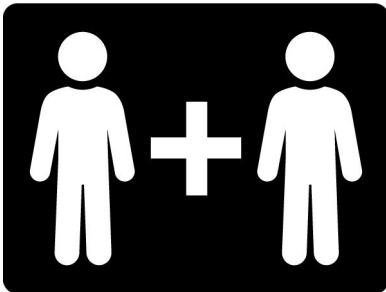
# STEP 16



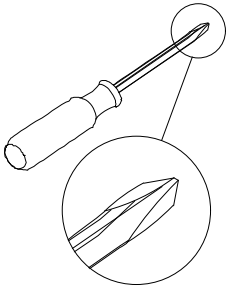
Turn clockwise  
to lock in place



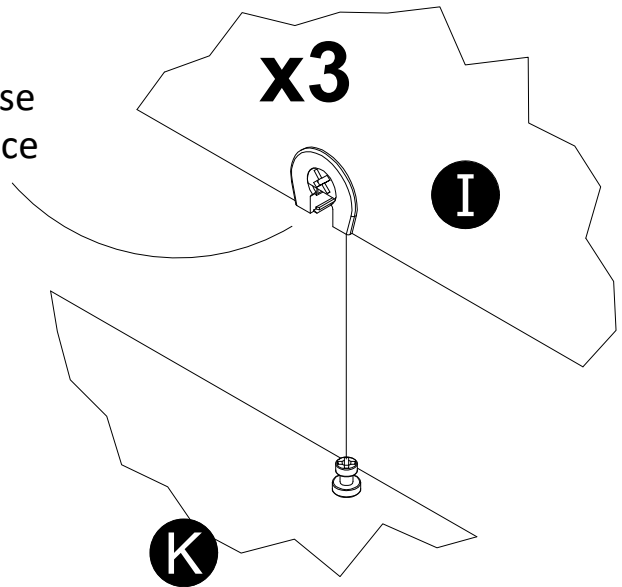
Please note: Shelf Rail (L) is symmetrical.



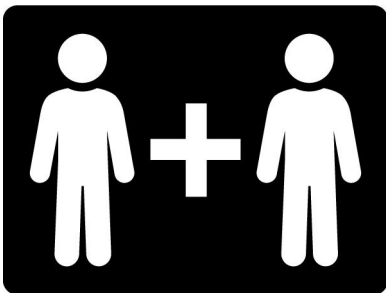
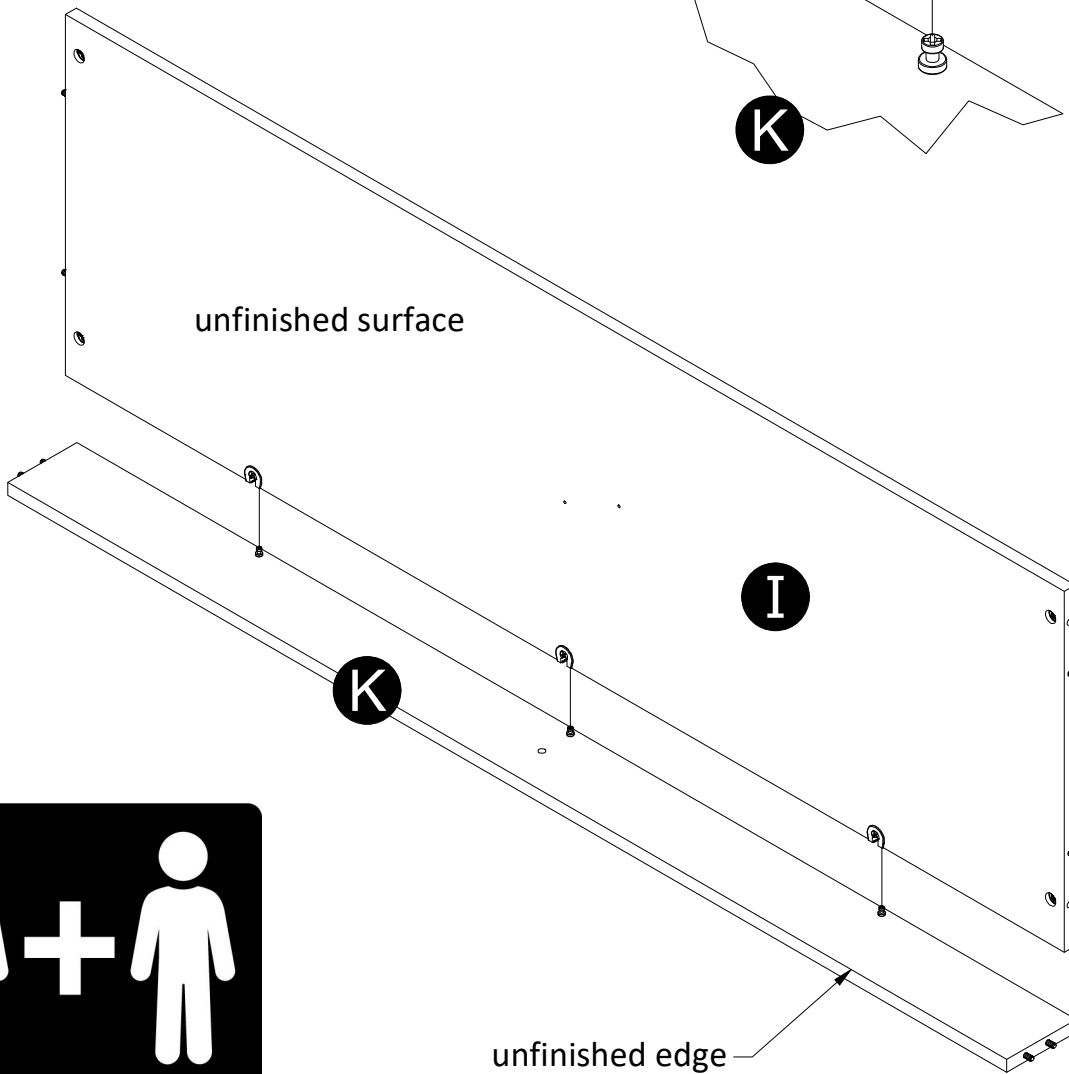
# STEP 17



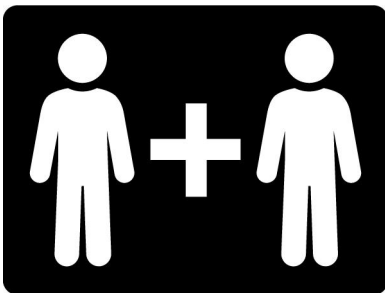
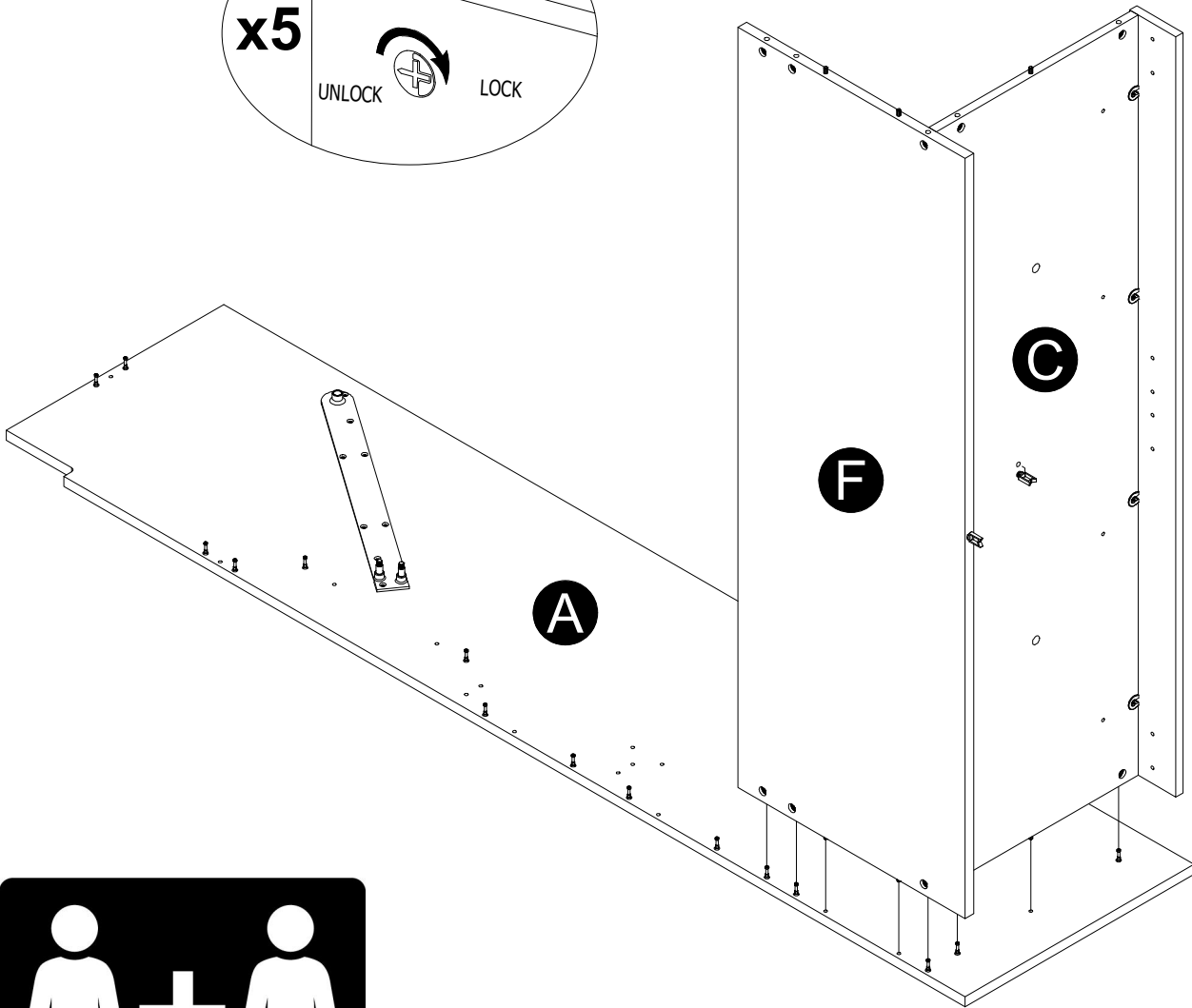
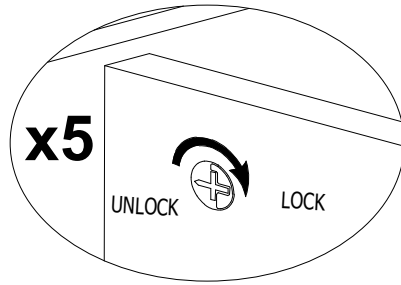
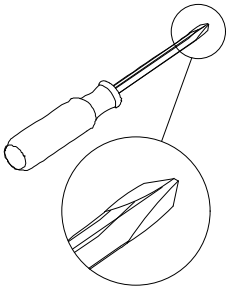
Turn clockwise  
to lock in place



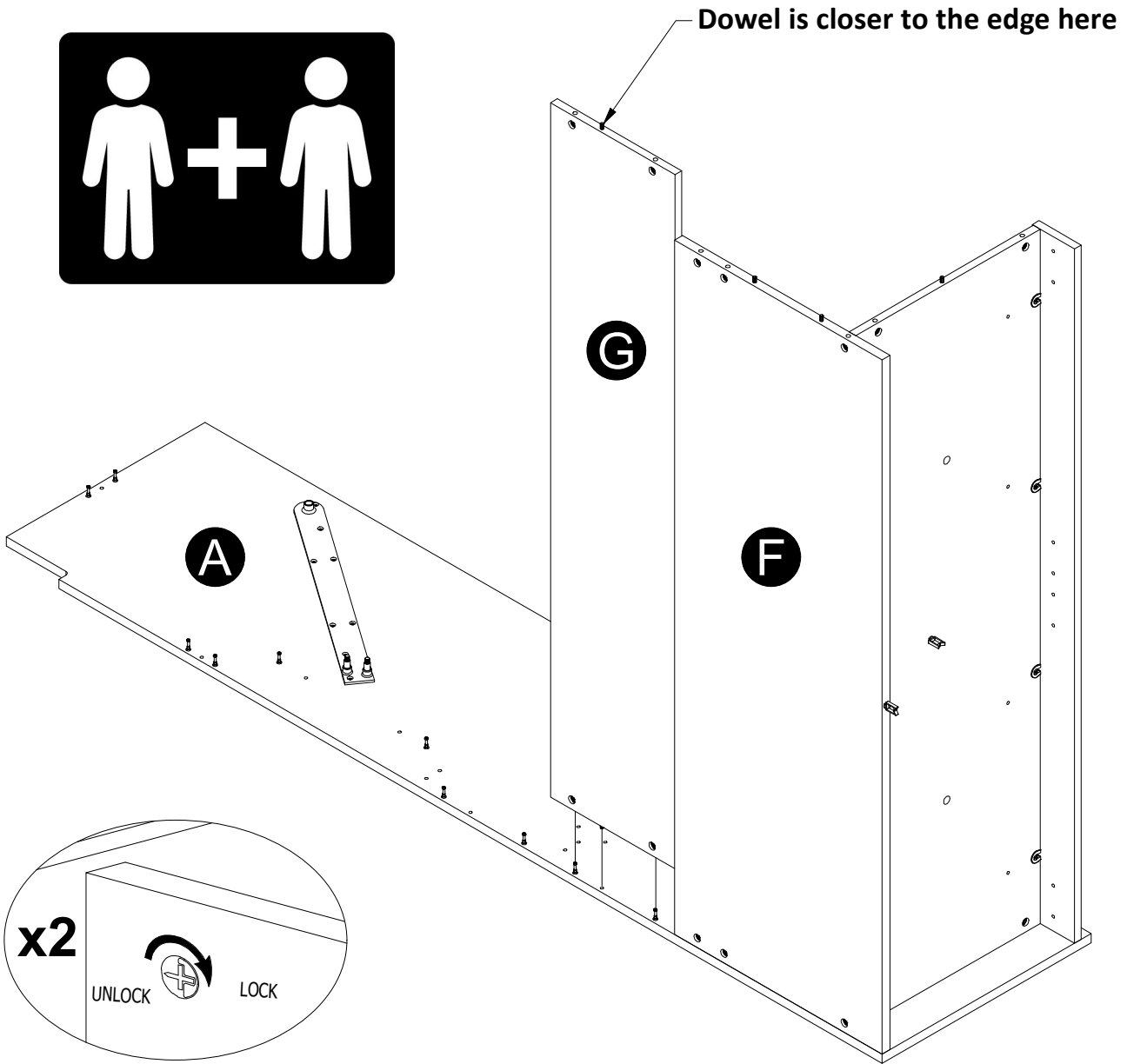
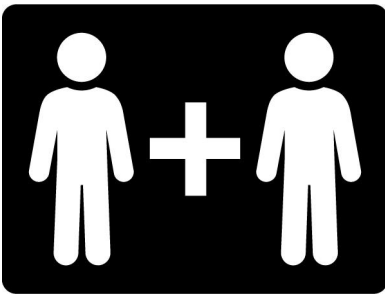
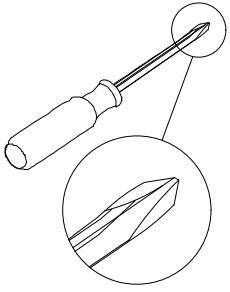
**Assembly orientation is critical!**



# STEP 18

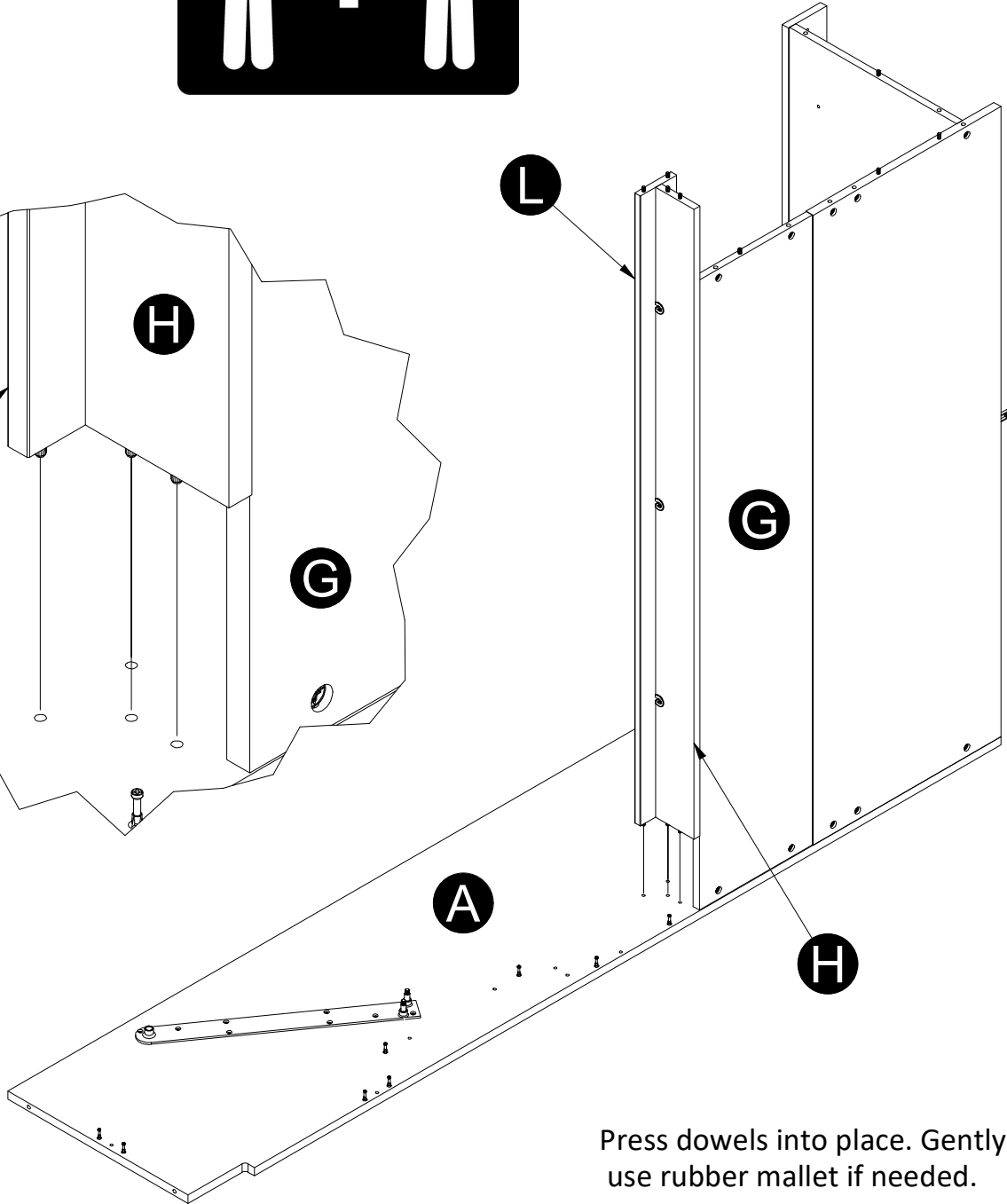
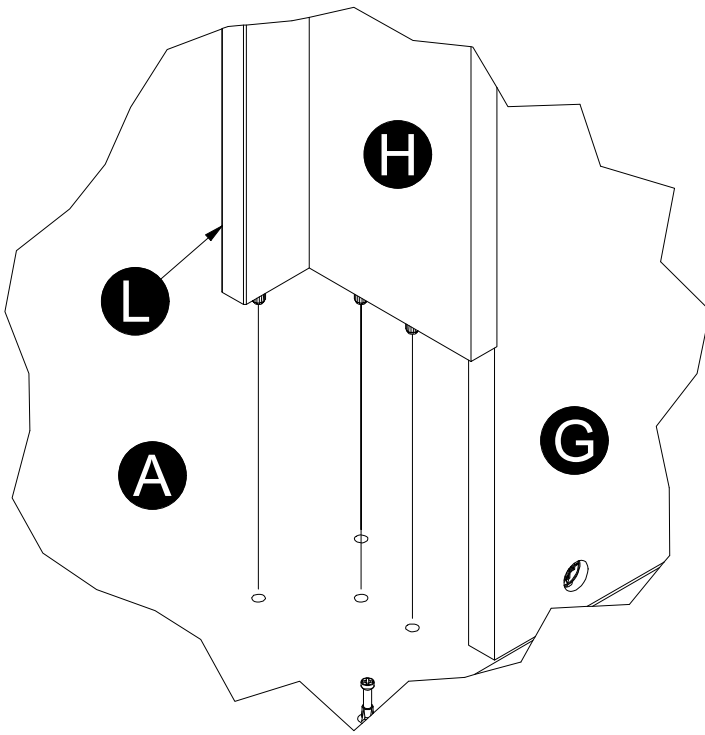
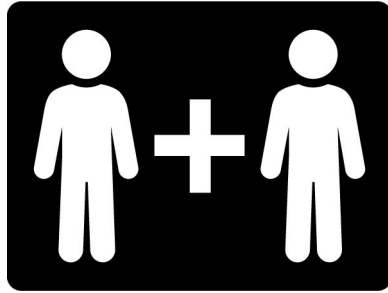
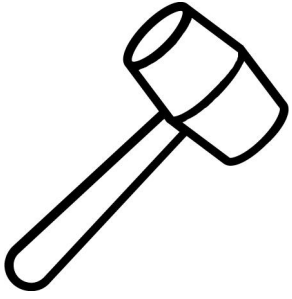


# STEP 19



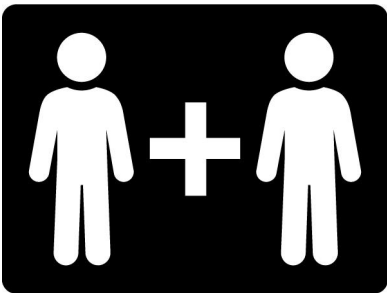
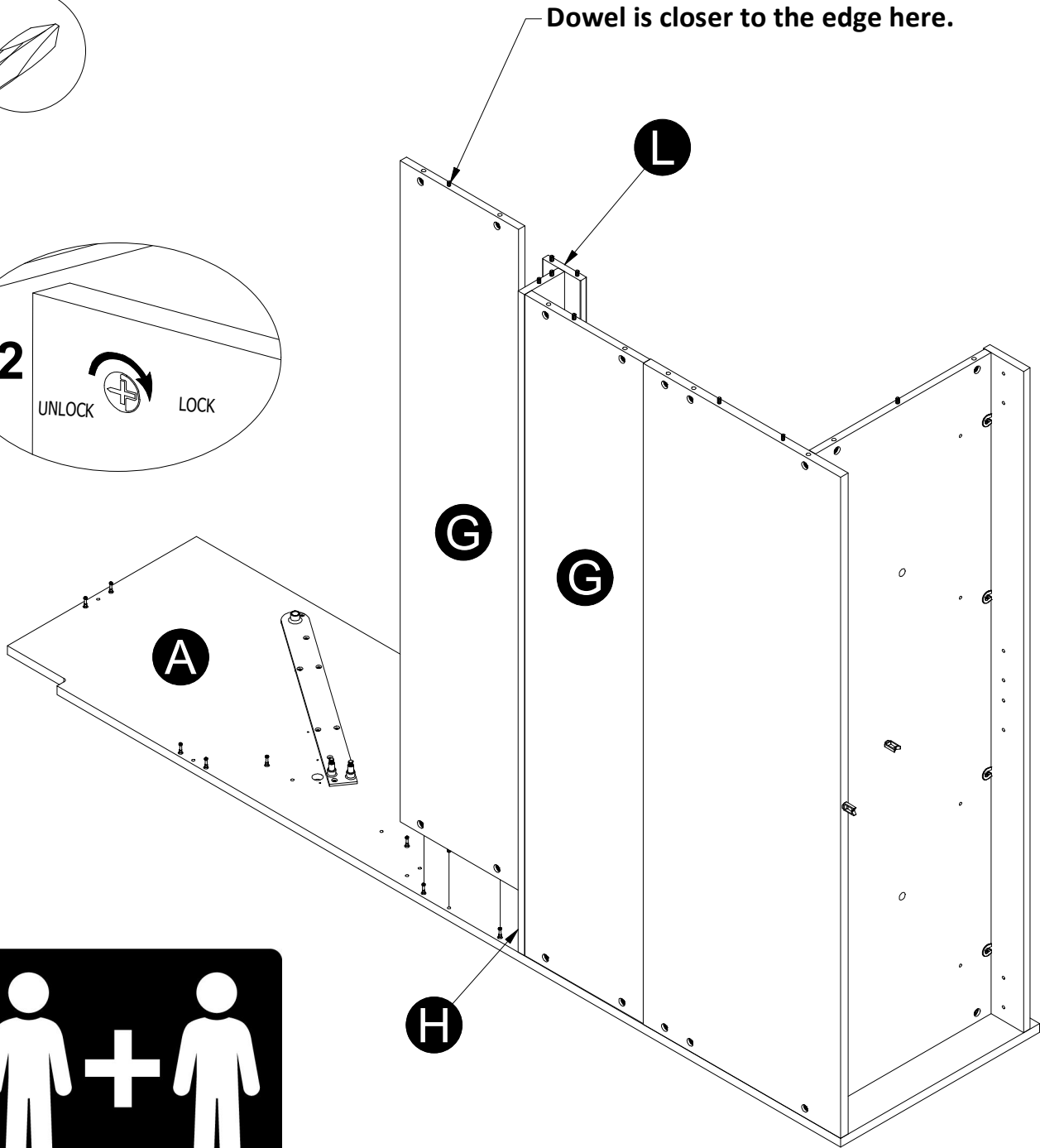
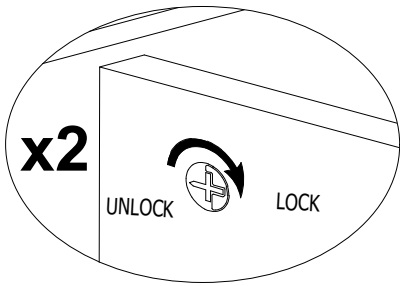
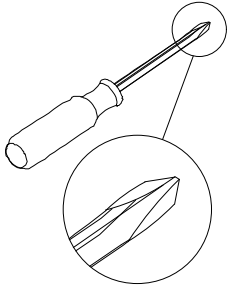


# STEP 20

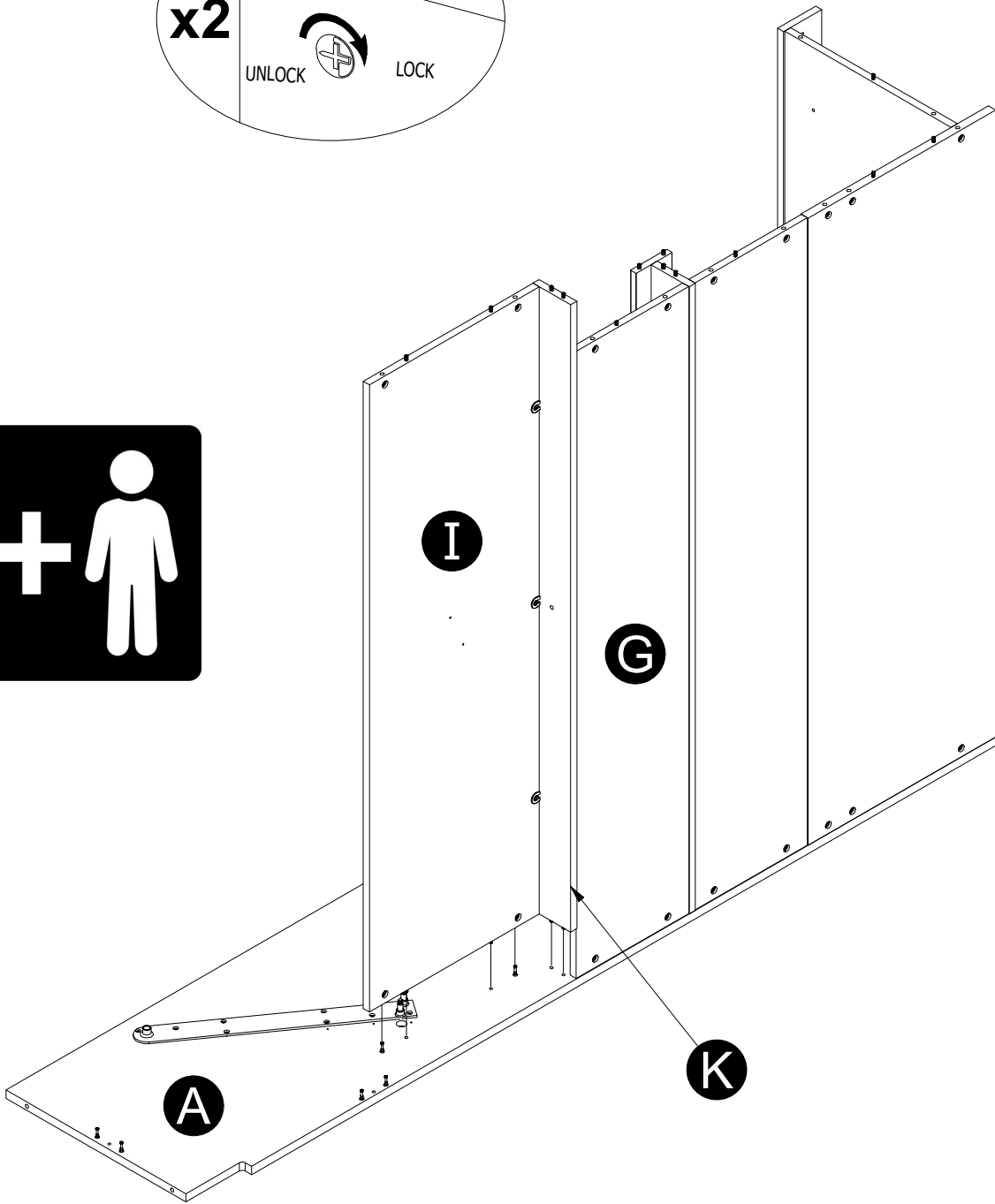
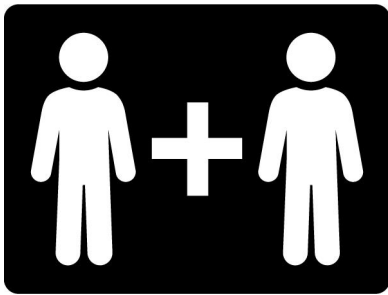
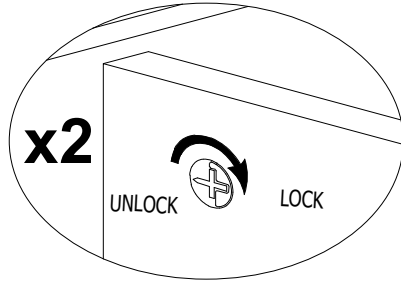
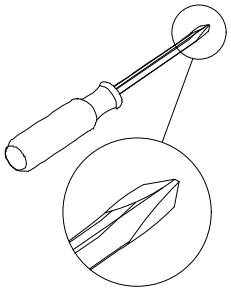


Press dowels into place. Gently use rubber mallet if needed.

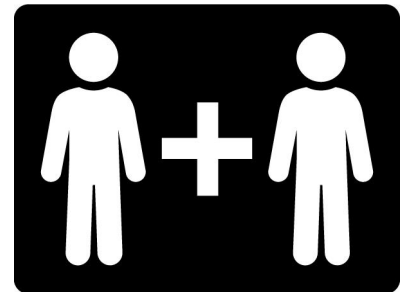
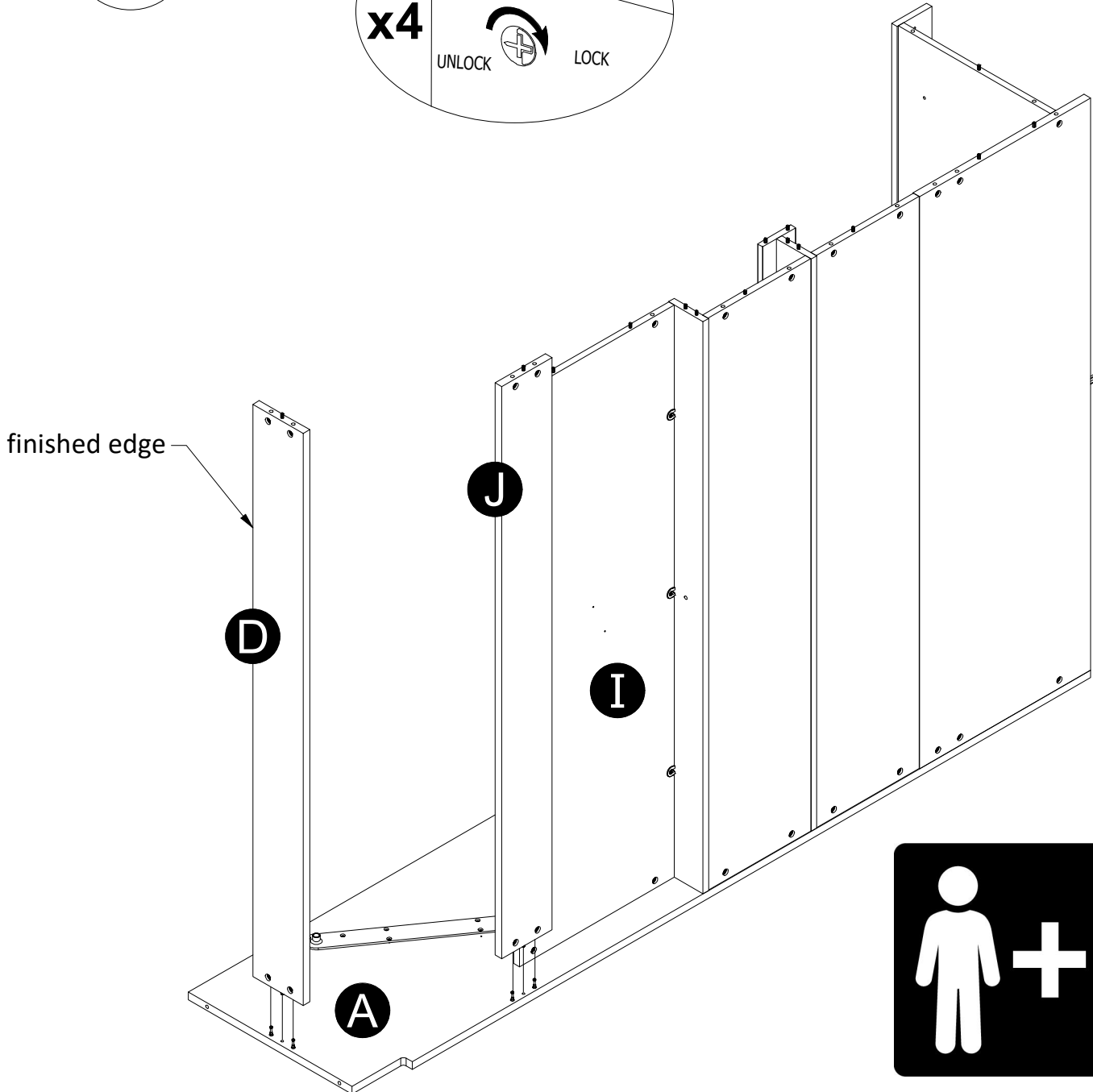
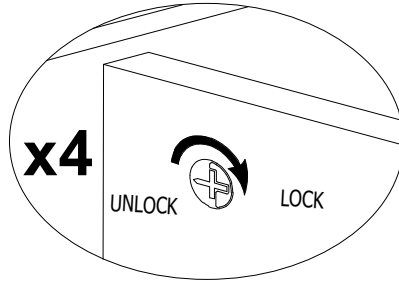
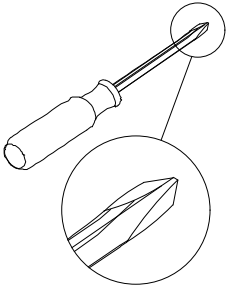
# STEP 21



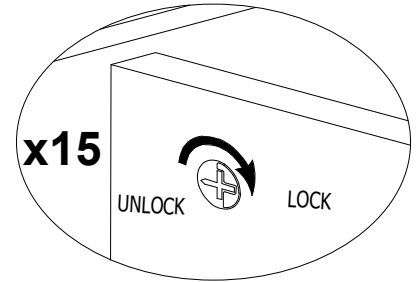
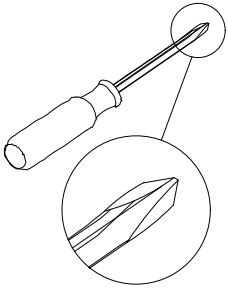
# STEP 22



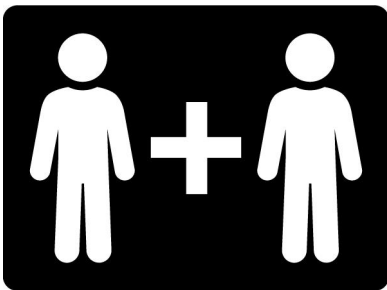
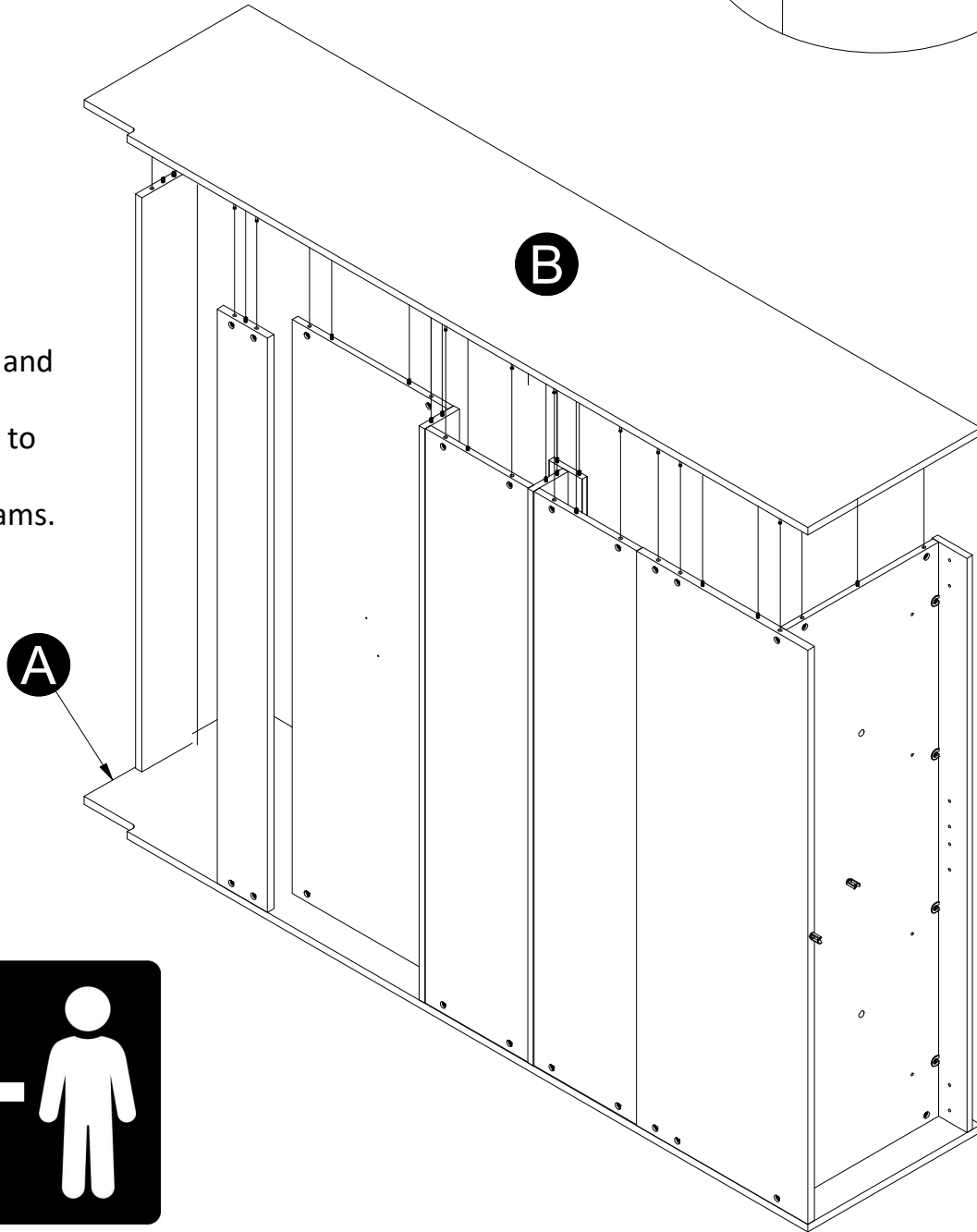
# STEP 23



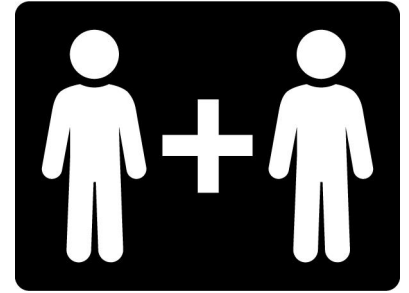
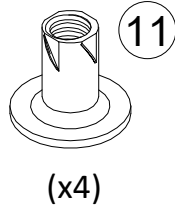
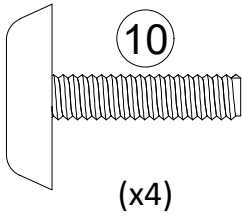
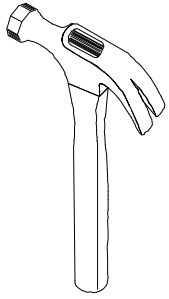
# STEP 24



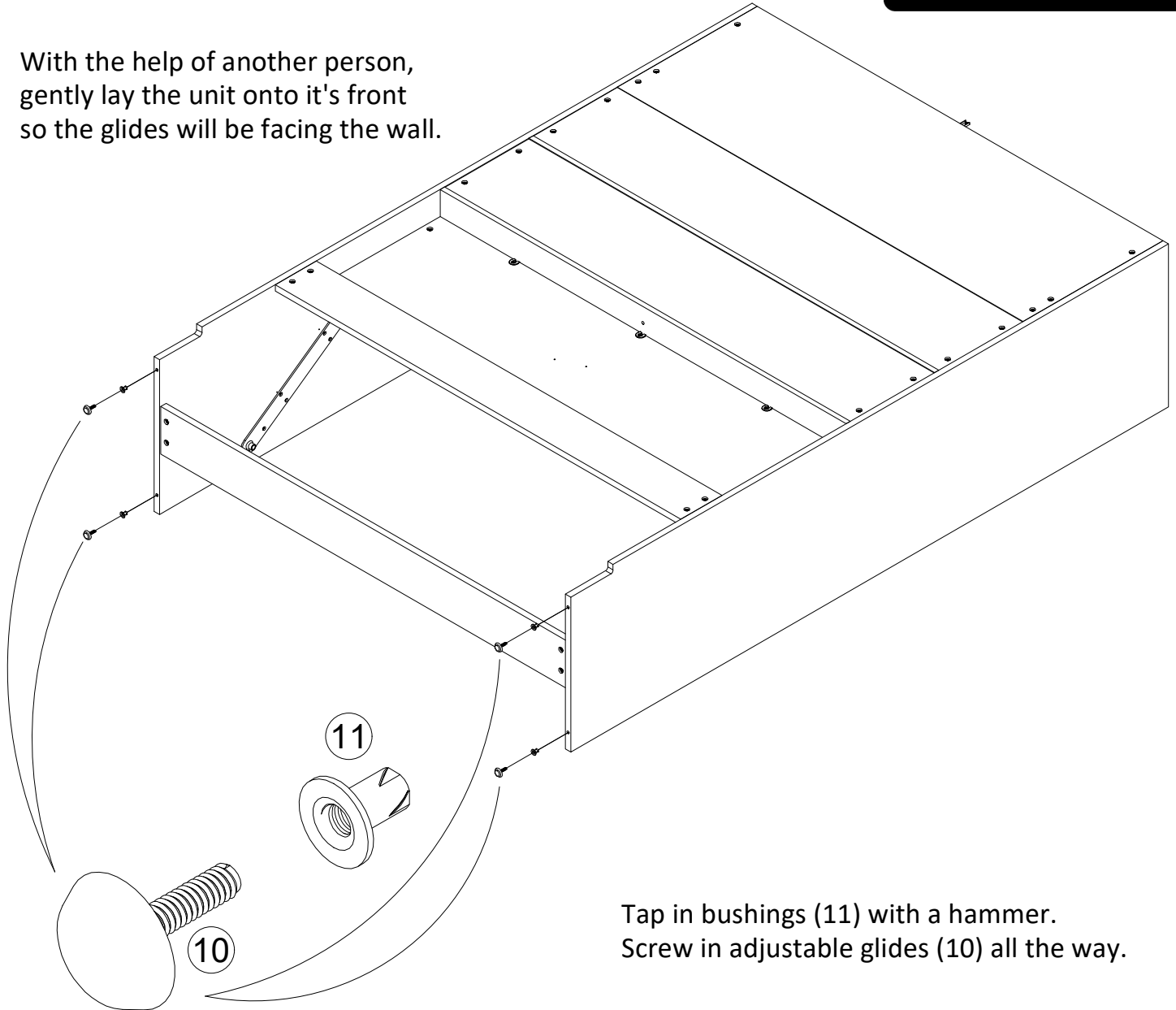
Start at one end and work your way to the other end to line parts up before locking cams.



# STEP 25



With the help of another person, gently lay the unit onto it's front so the glides will be facing the wall.



Tap in bushings (11) with a hammer.  
Screw in adjustable glides (10) all the way.

# STEP 26

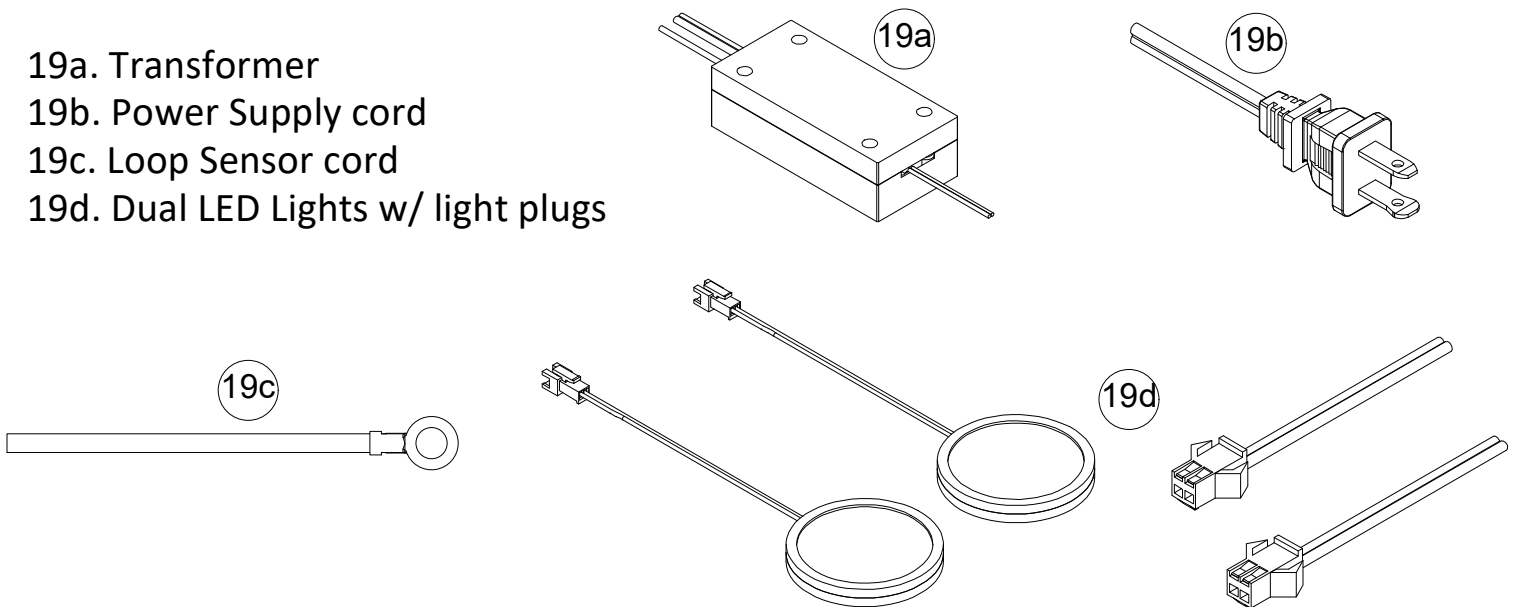
## The next steps are to assemble your electrical hardware

### Cord length information:

1. The power supply cord is 72" from transformer to the plug's tip
2. The loop wire for the sensor disk, from the transformer is 48" to the center of the loop
3. The light wire that ends in a clip (that will eventually be connected to the light module), that wire, from the transformer is 100" to the clip
4. The light module, its wire comes out of the light disk and extends out 5" to the center of its clip

### Dual LED Light Kit Includes:

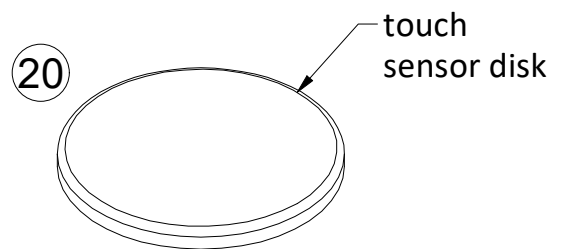
- 19a. Transformer
- 19b. Power Supply cord
- 19c. Loop Sensor cord
- 19d. Dual LED Lights w/ light plugs



### Touch Sensor Disk (separately packaged)

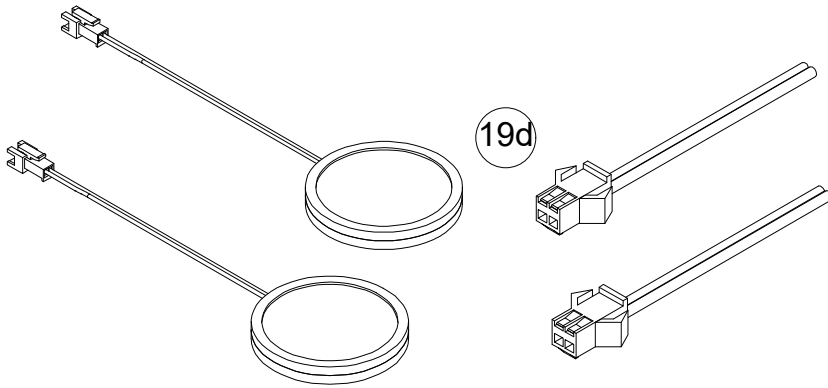
The Touch Sensor Disk has 3 brightness options.

- Touch 1 - night light
- Touch 2 - energy saver light
- Touch 3 - bright reading light
- Touch 4 - turn off



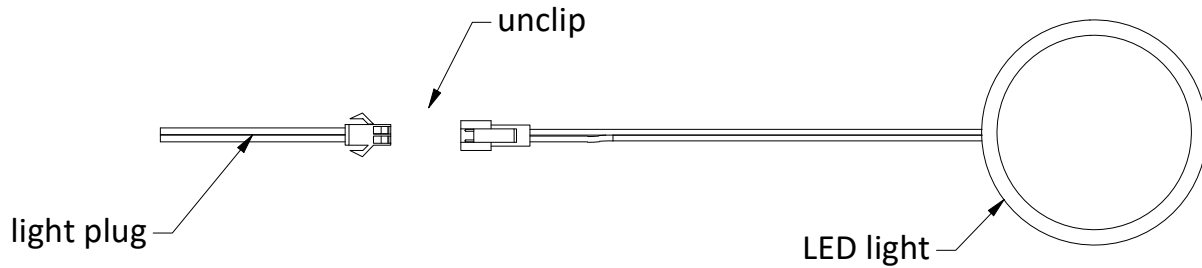
Please note: Assembly hardware aren't included in these packages. But are provided in hardware bag.

# STEP 27

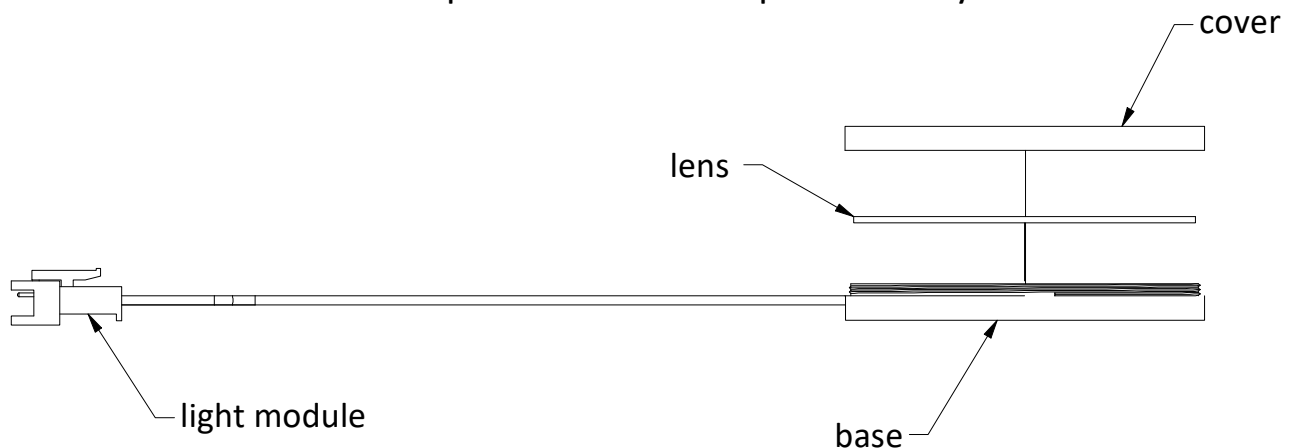


## LED Light Kit Assembly

Open the package for the LED Light Kit. Everything will be assembled together. First, unclip the LED Light from the Light Plug as shown...

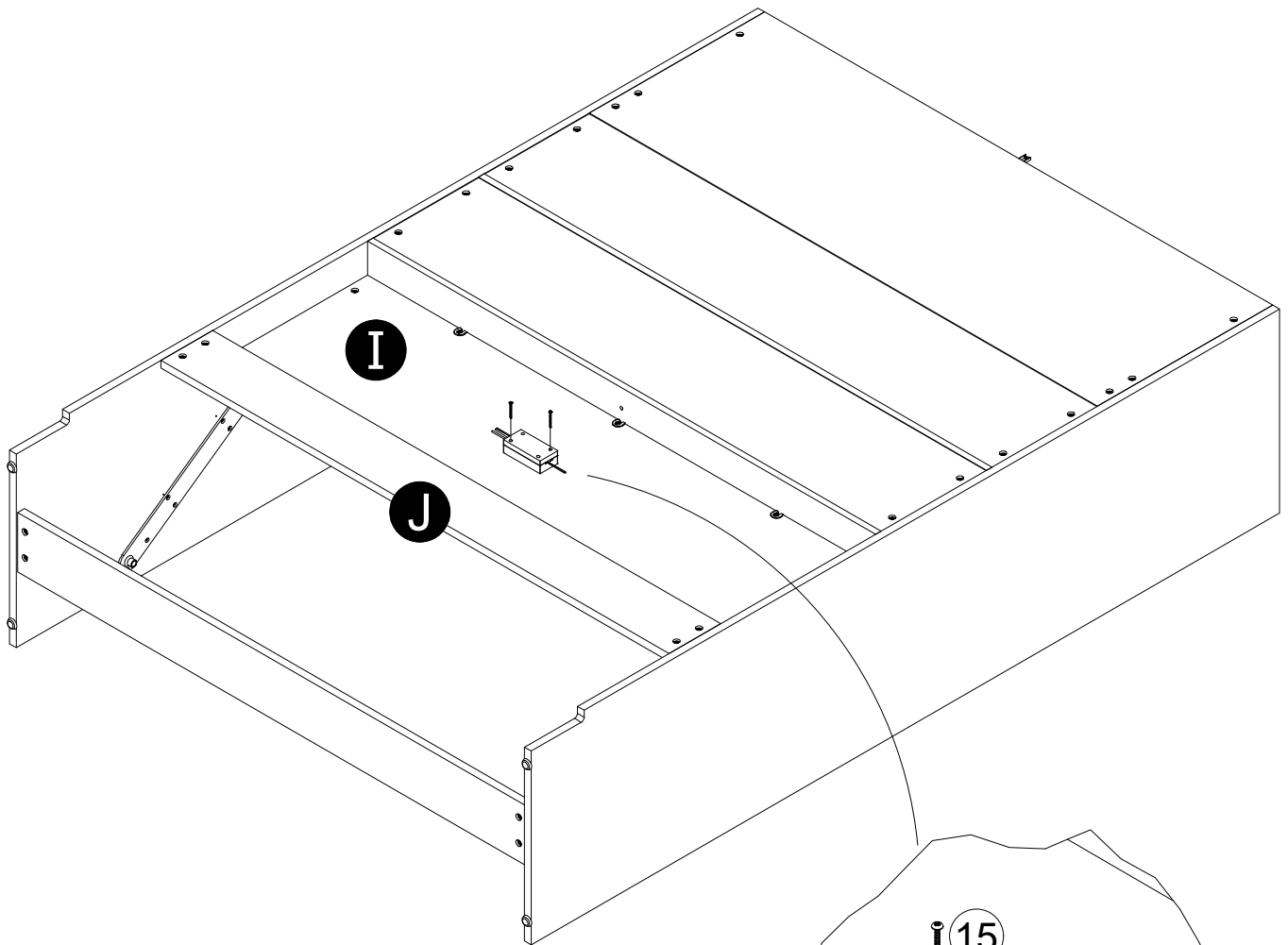
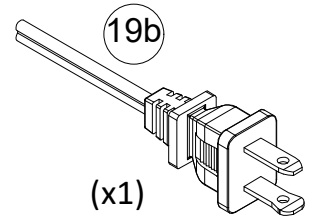
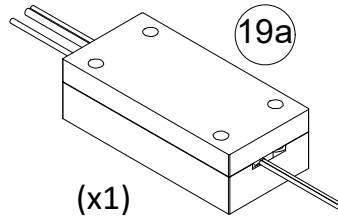
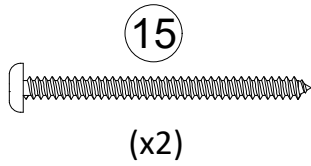
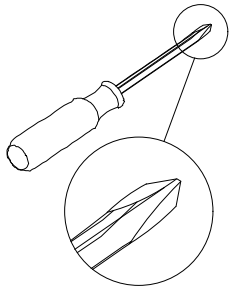


Second, you must disassemble the LED Light. Unscrew the cover off the base and then remove the lens piece. Place these pieces safely aside.

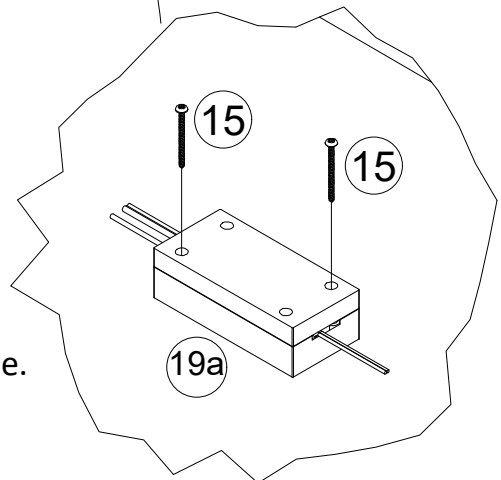




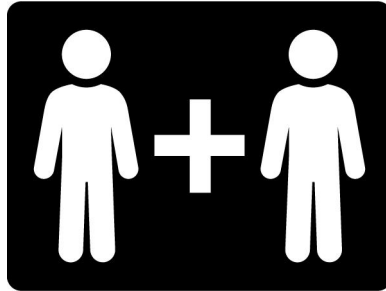
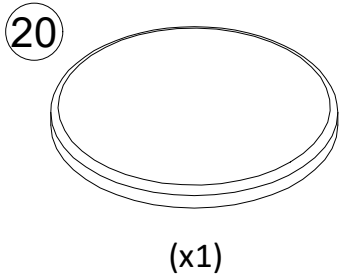
# STEP 28



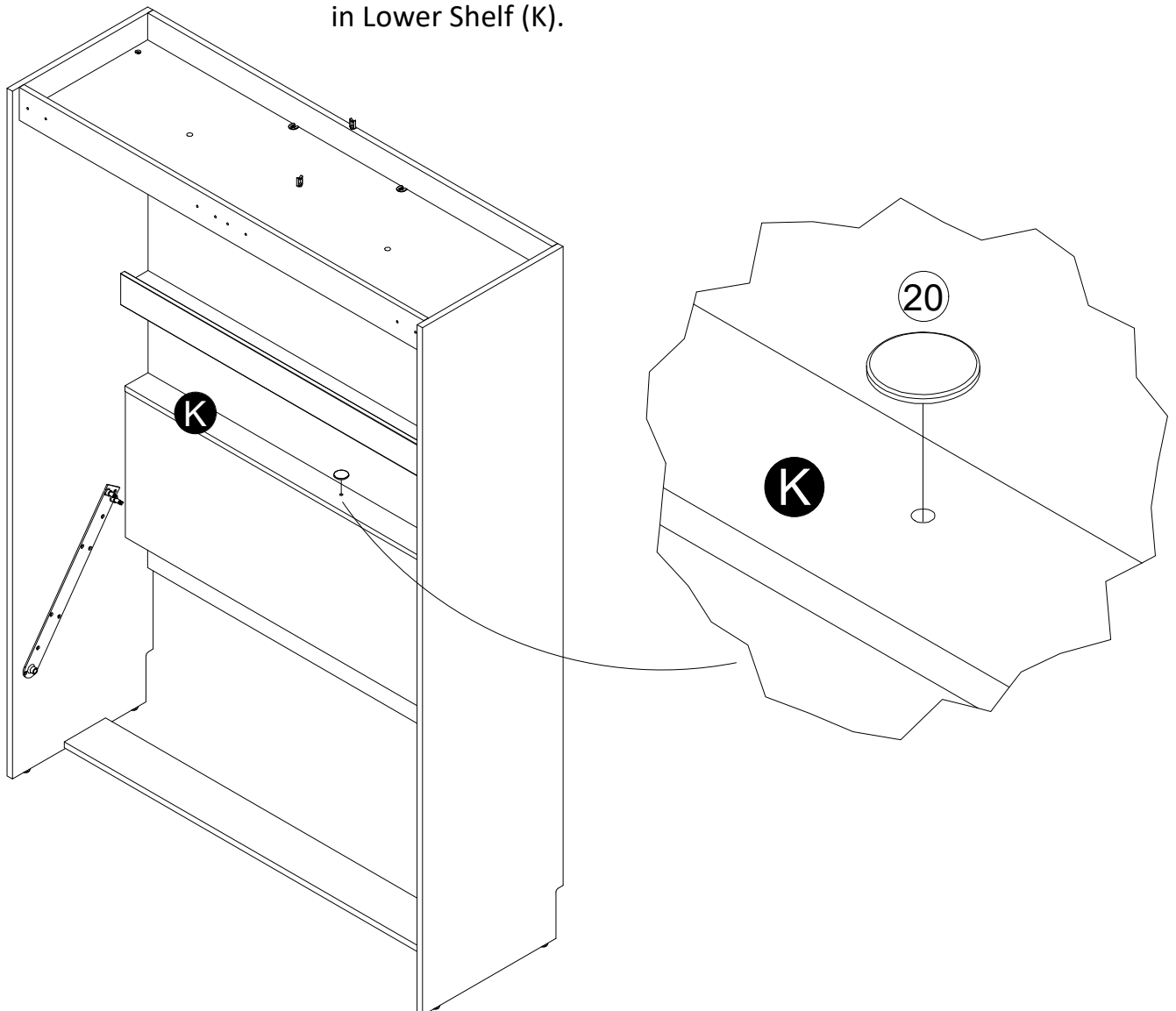
Place transformer (19a) on the Headboard Panel (I) in the location shown. Thread the power supply plug (19b) in front of the Bottom Stringer (J) if needed for power source.



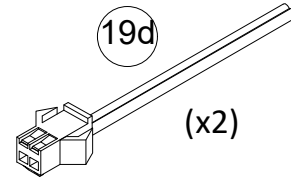
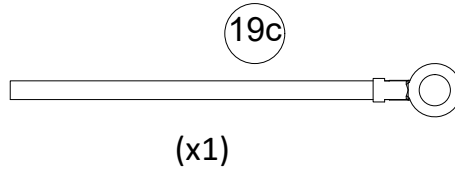
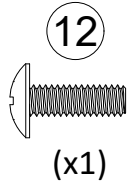
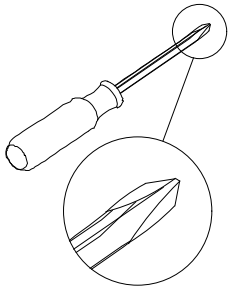
# STEP 29



With the help of another person, carefully stand the unit upright. During these steps, allow the other person to securely hold unit from tipping over. Place touch sensor disk (20) in location shown in Lower Shelf (K).

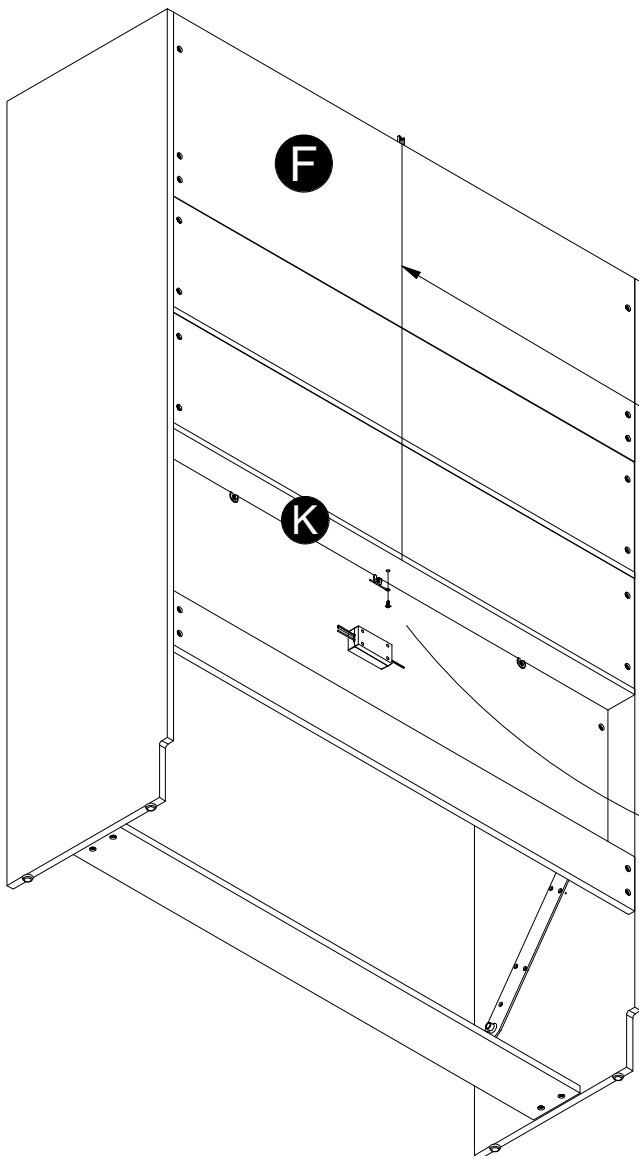


# STEP 30

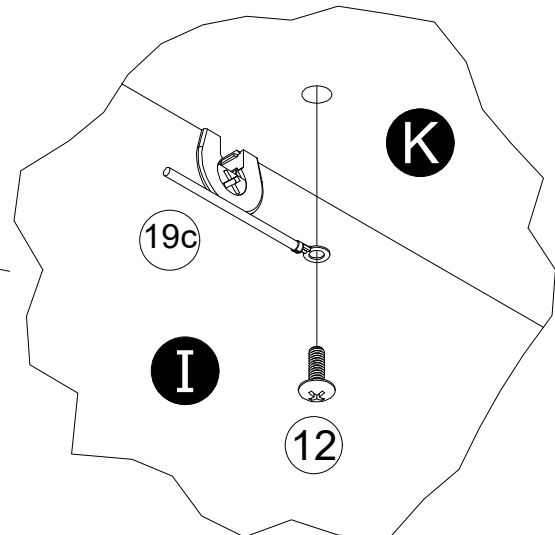
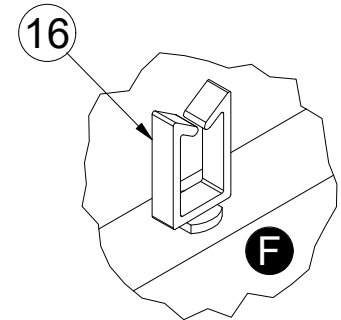


With the help of another person holding unit steady upright, take the Loop Sensor (19c) that is connected to the Transformer (19a) and place underneath Lower Shelf (K) at the hole location of the Touch Sensor Disk (20). Thread screw (12) through the Loop Sensor and screw into Touch Sensor Disk (20).

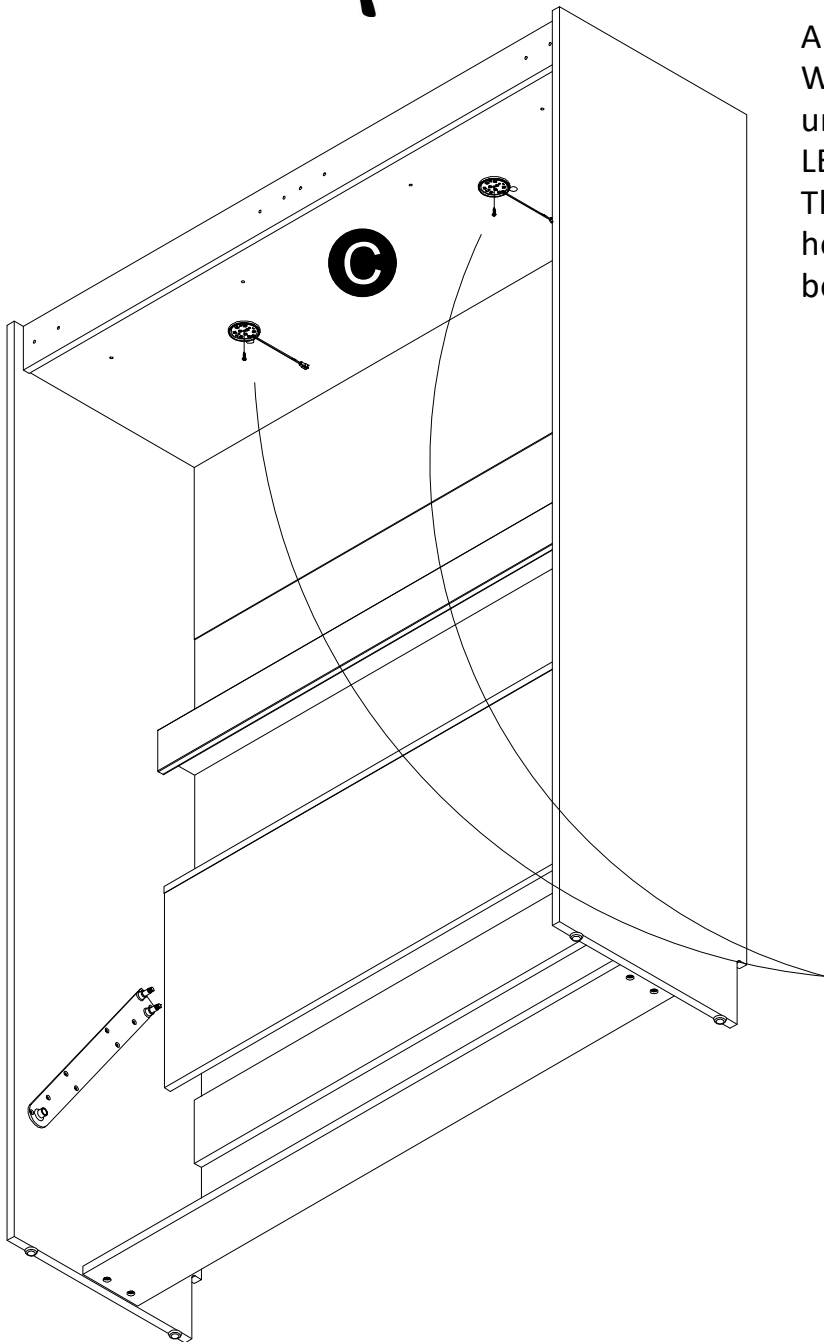
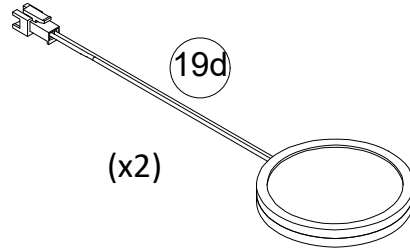
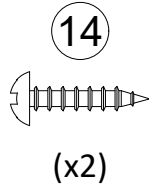
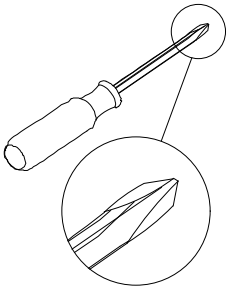
Once screw (12) is fully tightened, thread the light plug (19d) wires up along the back side of the unit. Thread the wires through the wire saddle (16) on the top edge of the Upper Back Panel (F). **Secure wires so they don't fall behind the unit when attaching to the wall.**



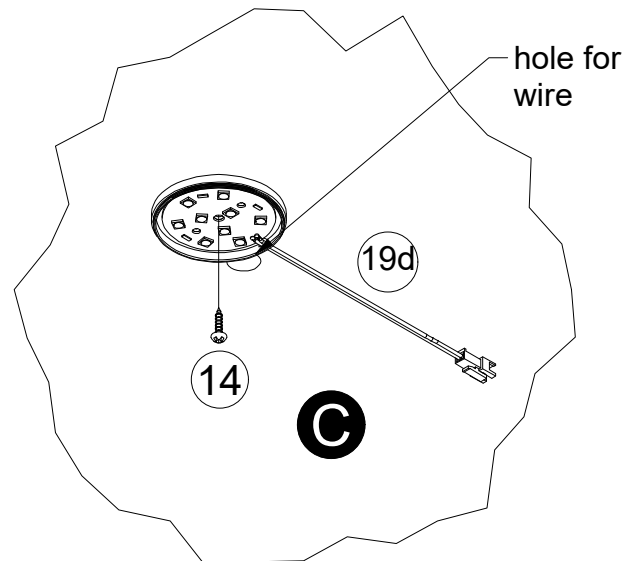
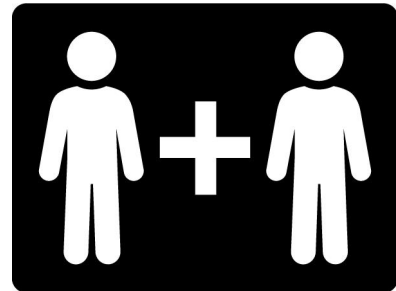
light plug wires (19d)



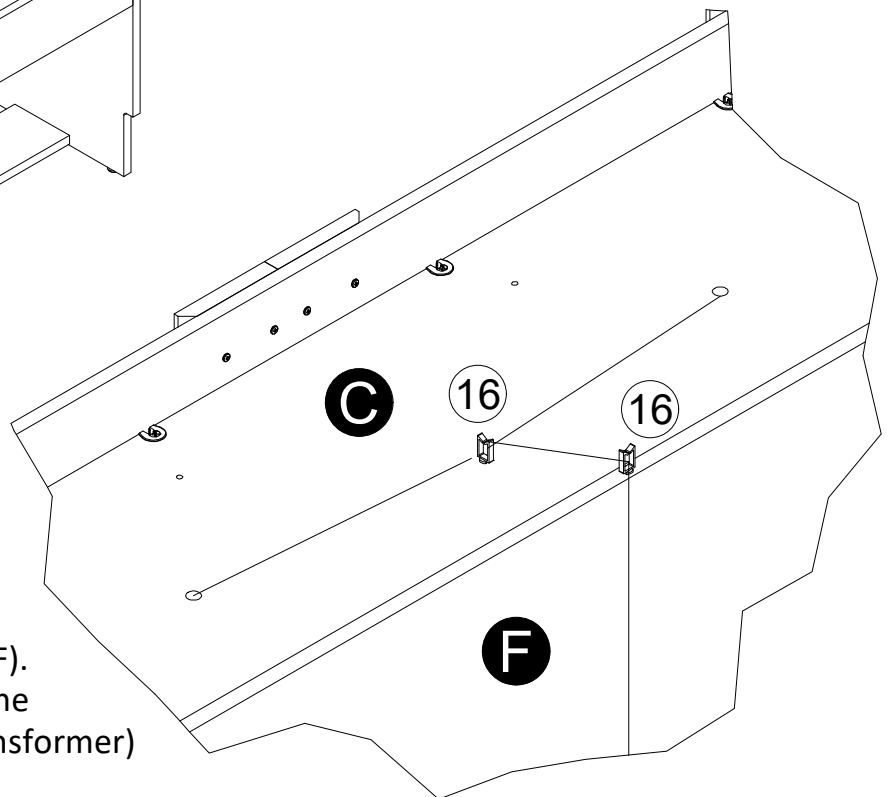
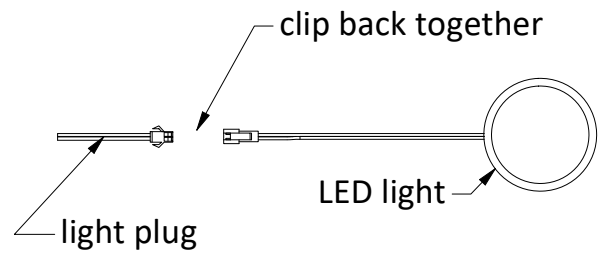
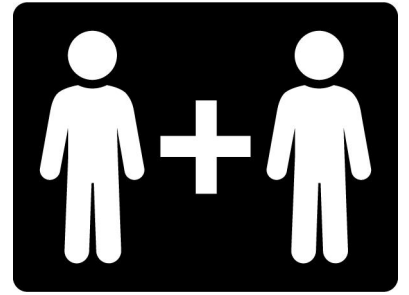
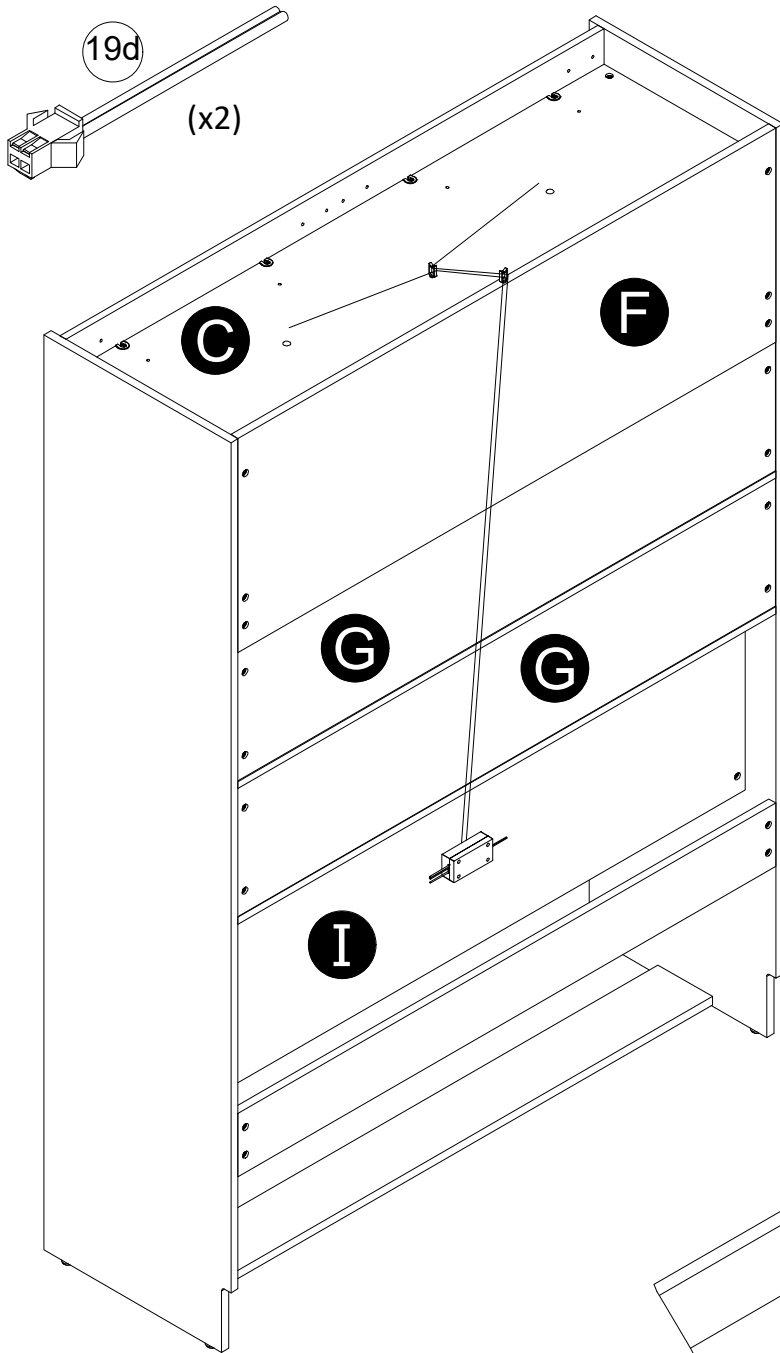
# STEP 31



A step ladder will be required for this step. With the help of another person holding the unit steady upright, assemble disassembled LED lights (19d) to the Top (C) with screw (14). Thread the LED lights (19d) wires through the holes provided in Top (C) to allow the wires to be on the top surface of the Top (C).



STEP 32

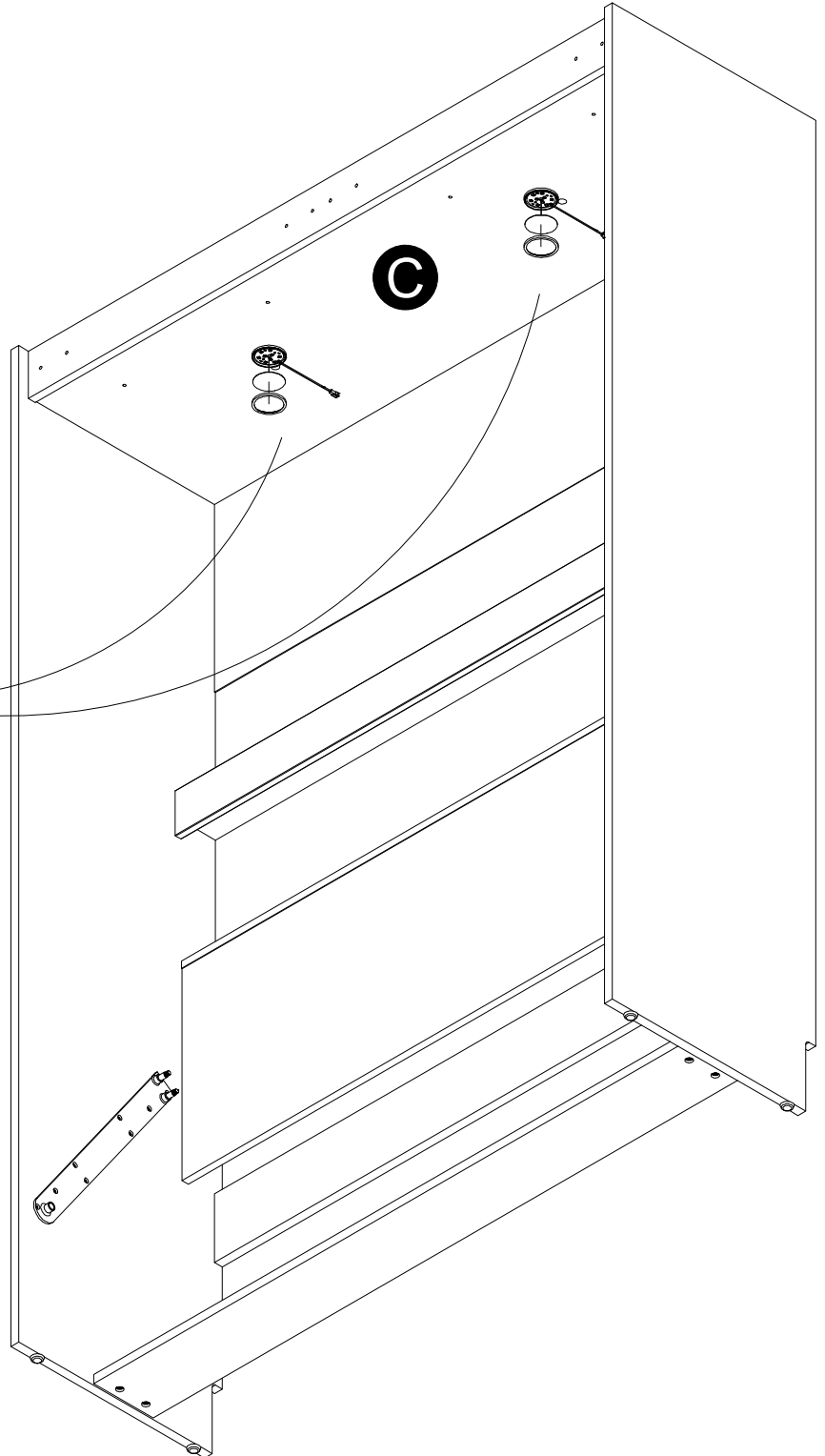
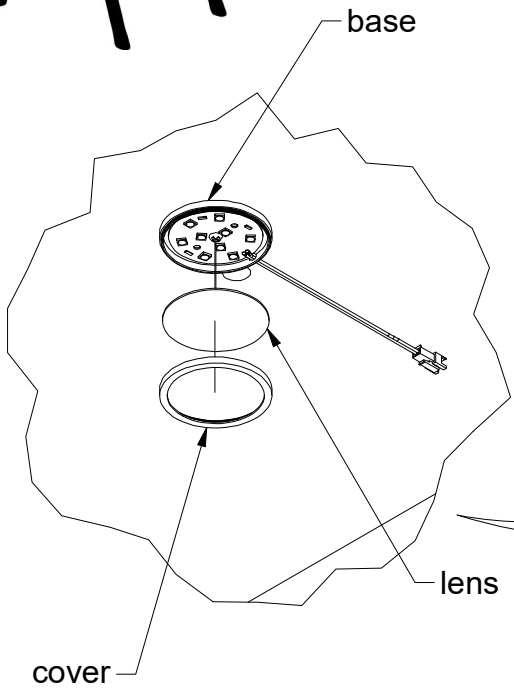


With the help of another person holding the unit upright steady, feed the LED light wires through the wire saddle (16) in the Top (C) and in the Upper Back Panel (F). Pull wires behind the back of the unit. Clip the Light Plugs (19d) (that is fixated into the transformer) back into the LED light wires.

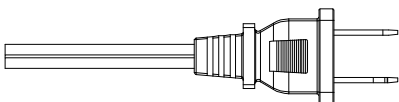
# STEP 33



With the help of another person holding the unit steady upright, assemble the LED lights back together. First placing the lens into the base and then screwing the cover back to the base as shown below.



Adjust any wires necessary as needed. Assure the Power Supply Plug is threaded where the attended power outlet is located. Place against the wall. Plug into outlet and assure the LED Light and Touch Sensor Disk are working properly.



The next steps are to assemble your unit to the wall



**Assembled unit MUST be square on the height, width, and depth to function properly**

**Assembled unit MUST be placed flat against the wall**

**Assembled unit MUST be screwed into wall studs at the top and bottom for safety**

**You need to locate at least 3 studs, but 4 is better**

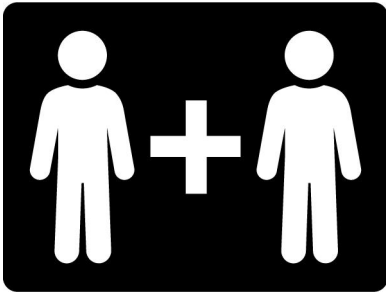
**DO NOT use wall anchors to fasten your unit to the wall**

**Use stud finder provided with your unit where intended**

**For Masonry, Concrete, or other wall materials:**

Consult your local hardware store for appropriate anchors to securely attach your unit to the wall.

STEP 34



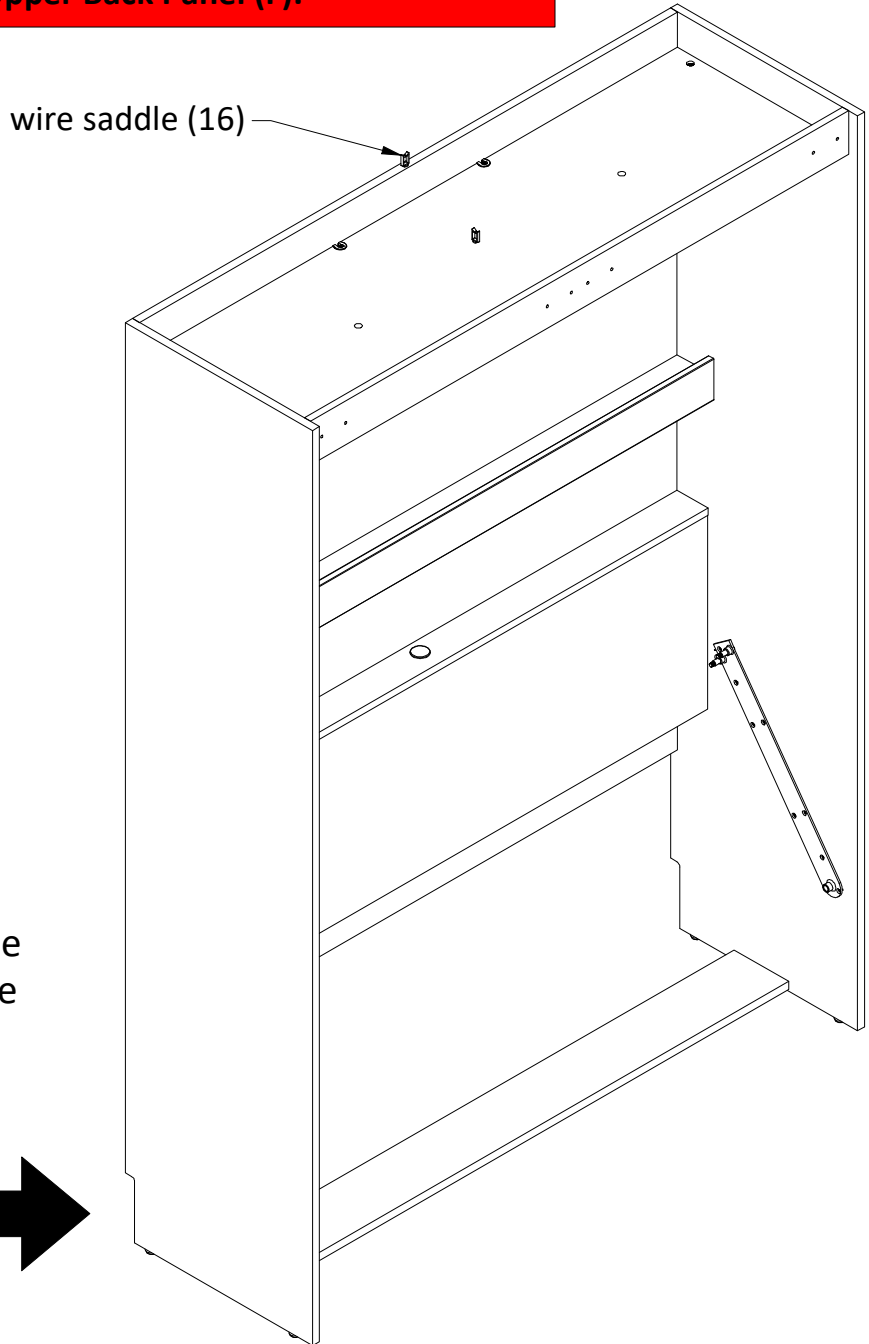
With the help of another person, place your unit FLUSH against the wall

Be sure the light plug wires (19d) are secure in the wire saddle (16) located on the Upper Back Panel (F).



**Do NOT cut into bed!**

There are notches provided at the back of your unit. These notches are to fit around the baseboard on your wall. If your baseboard is higher or thicker than the notches provided on the unit, you will need to remove the baseboard, cut it down to fit on both sides of your unit, then refasten to the wall.

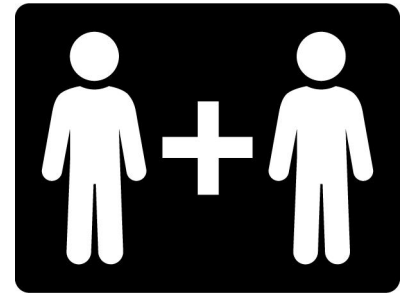




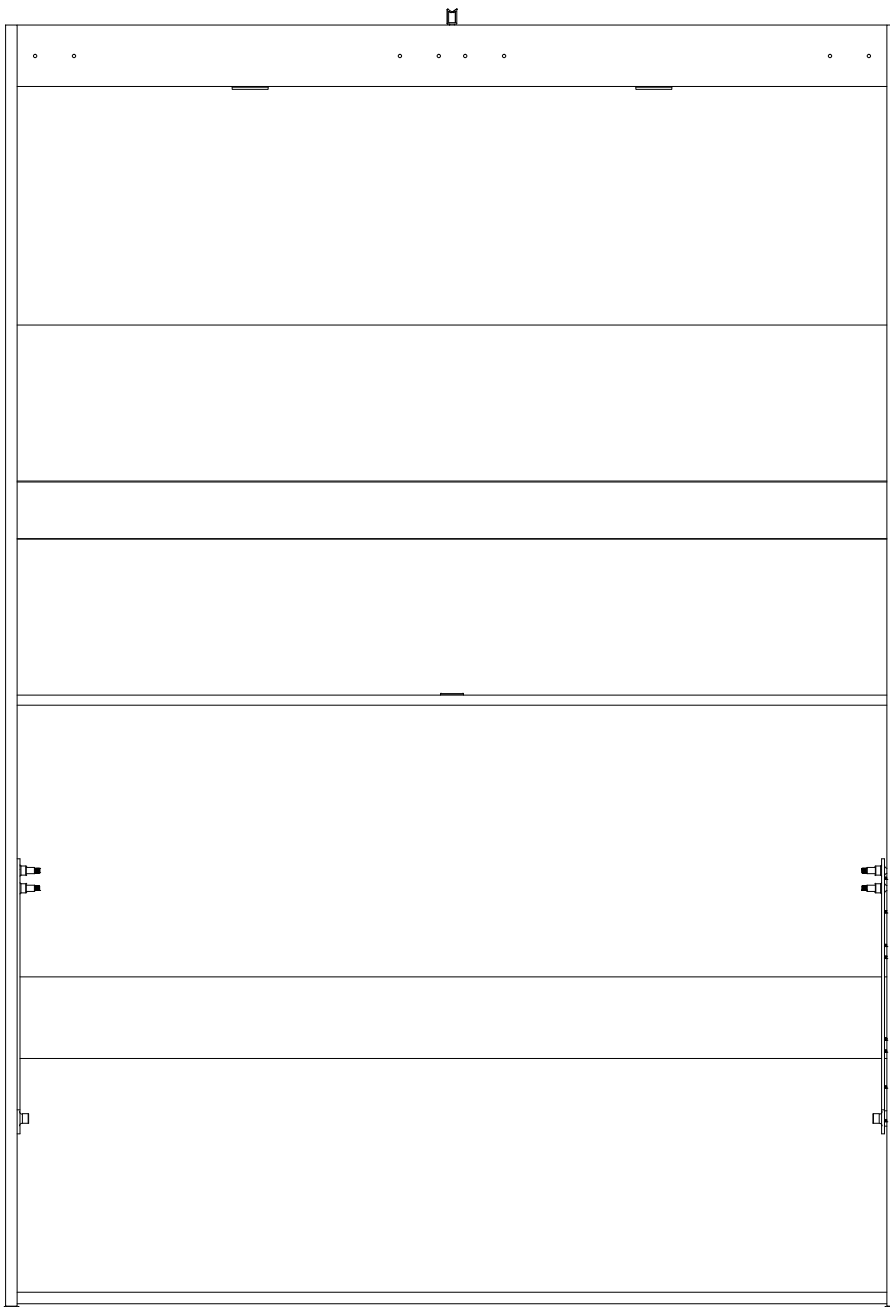
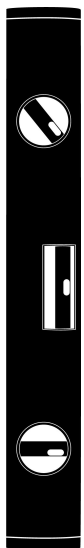
# STEP 35

Mr. Kate®

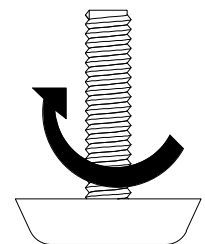
Assembled unit MUST be flush on the height, width, and depth to function properly



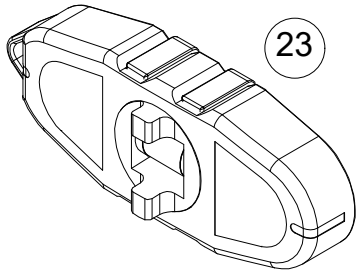
**A step ladder will be required. Do not lean against the top of the unit, it may cause sagging**



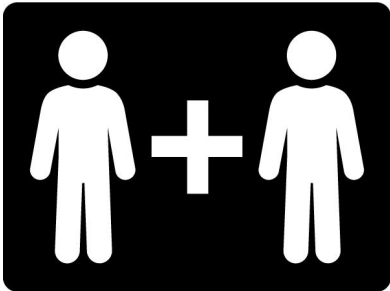
If required, unscrew the Glides counter-clockwise as necessary in all 4 corners until your unit is level in all directions



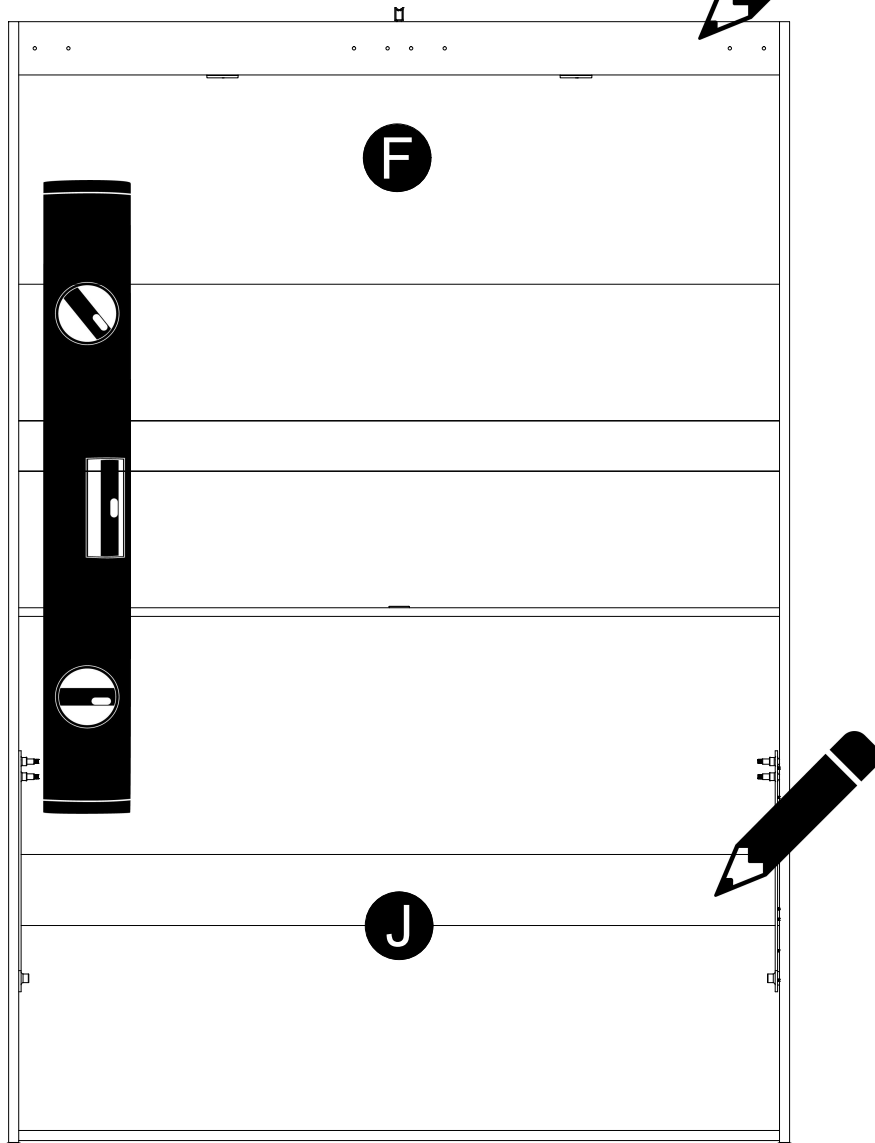
# STEP 36



Locate the studs in the wall, using the stud finder (23). Using a pencil, mark the stud locations on the upper surface of the Upper Back Panel (F). Using a level, carry the stud locations down to the Bottom Stringer (J), and with a pencil, mark the stud locations.



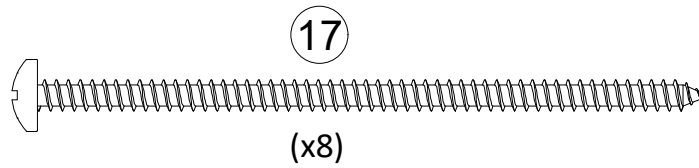
**You need to locate at least 3 studs, but 4 is better**



**A step ladder will be required. Do not lean against the top of the unit, it may cause sagging**

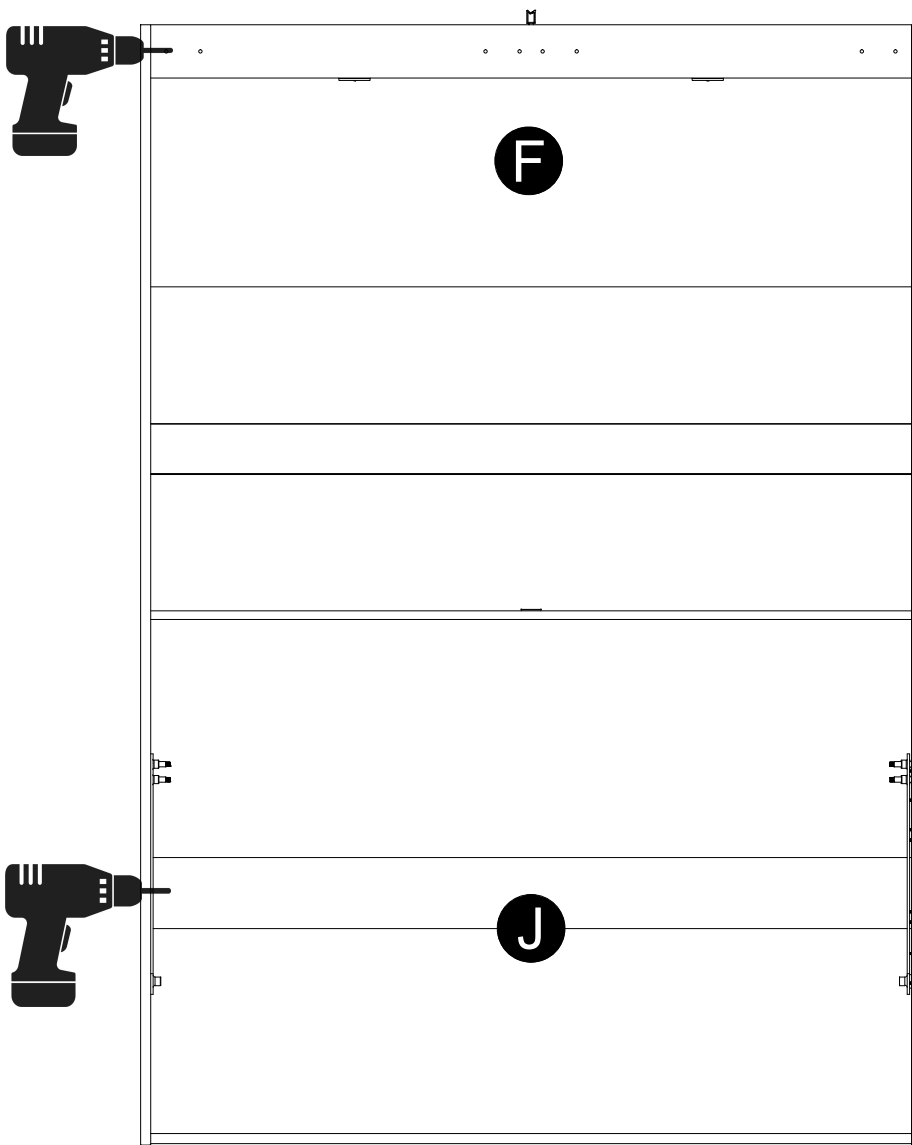


# STEP 37

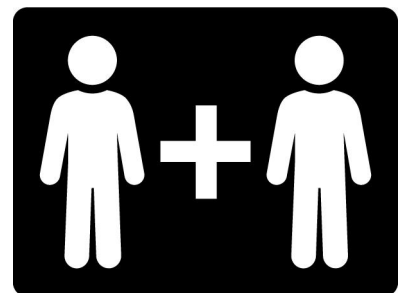


**First, make sure that your unit is still level in all directions.**

Drill 1/8" (3mm) pilot holes through the Upper Back Panel (F) and Bottom Stringer (J) at the stud locator marks. Fasten the unit to the studs in the wall with the screws (17).



**A step ladder will be required. Do not lean against the top of the unit, it may cause sagging**

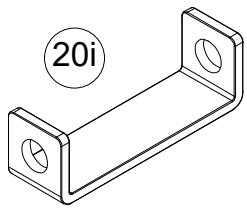


**The next steps are to assemble the metal bed  
frame and mechanism**

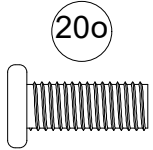
**These parts are located in the #3678096COM  
Wall Bed Mechanism Carton**



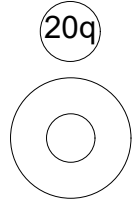
# STEP 39



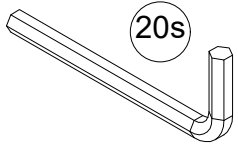
(x4)



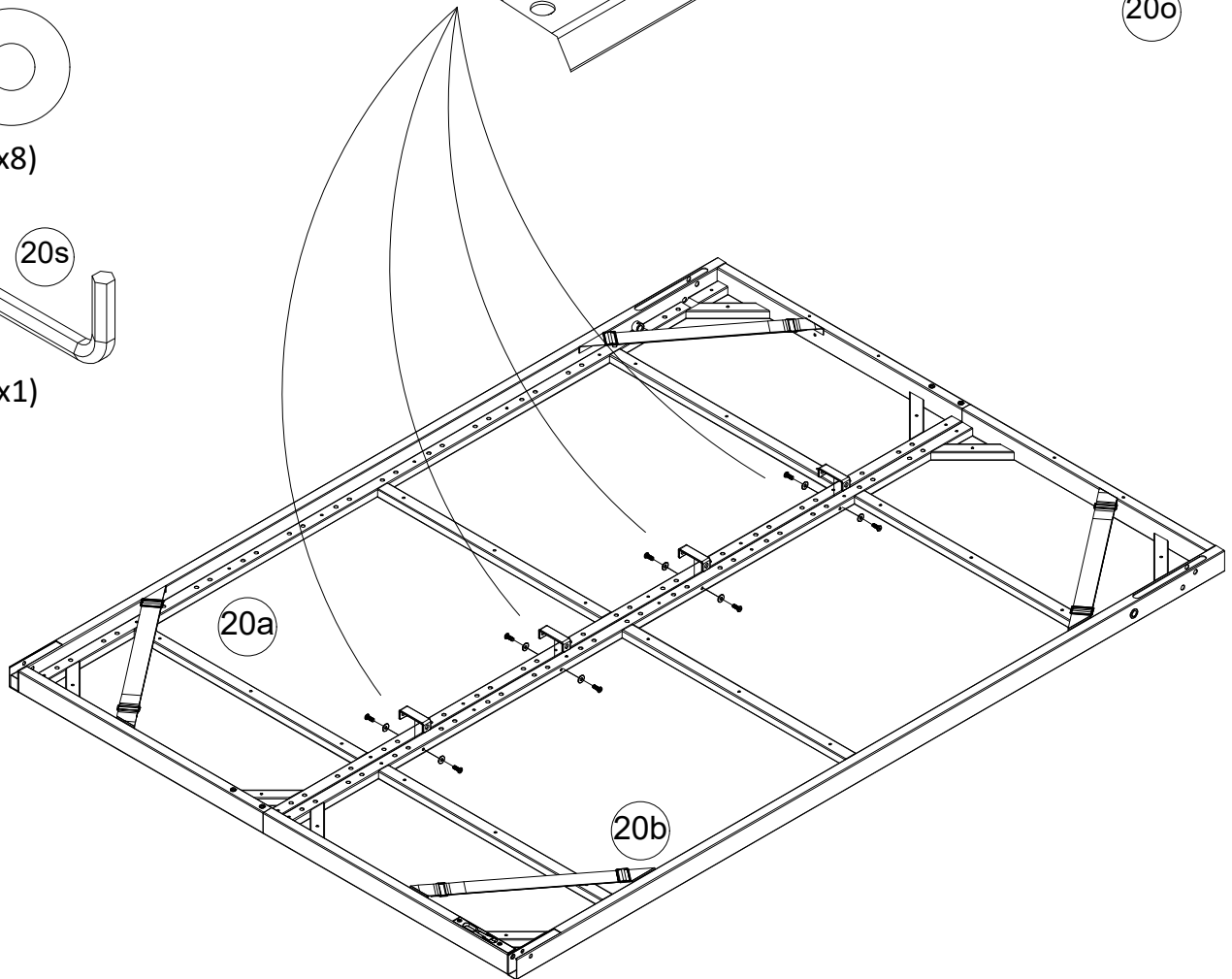
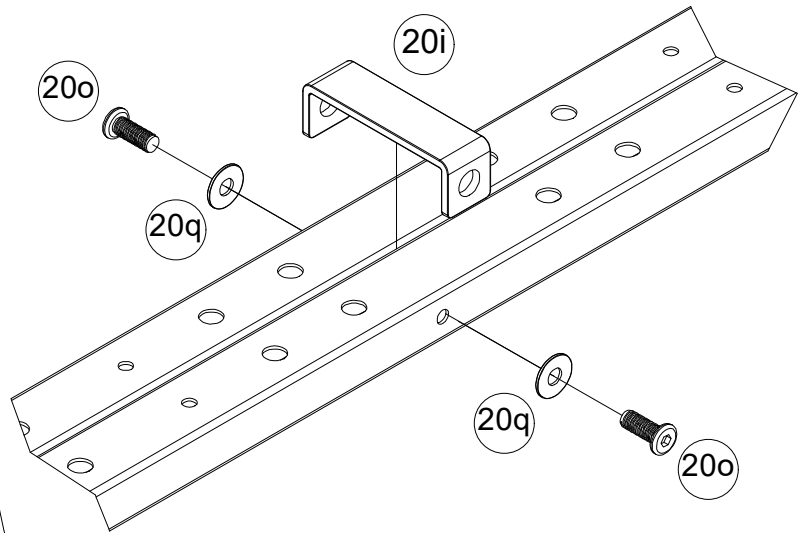
(x8)



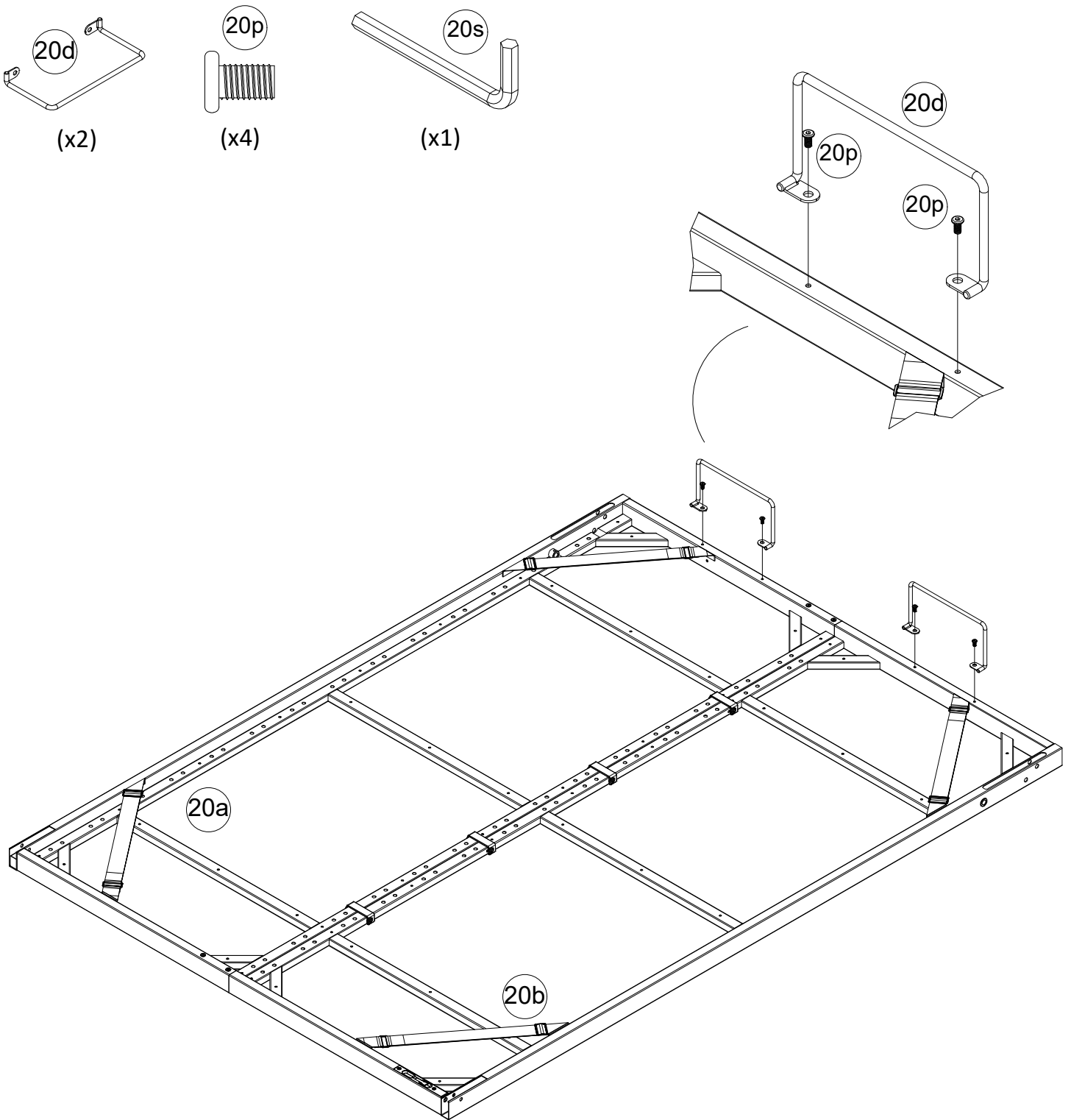
(x8)



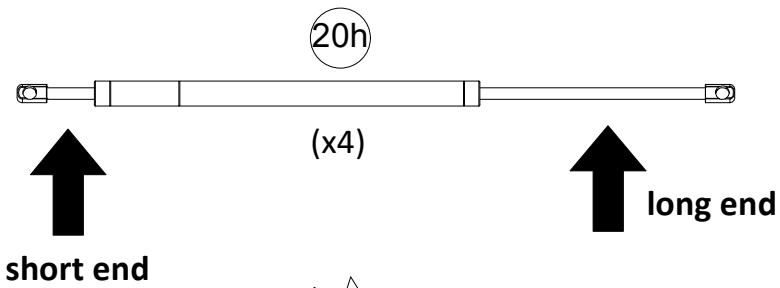
(x1)



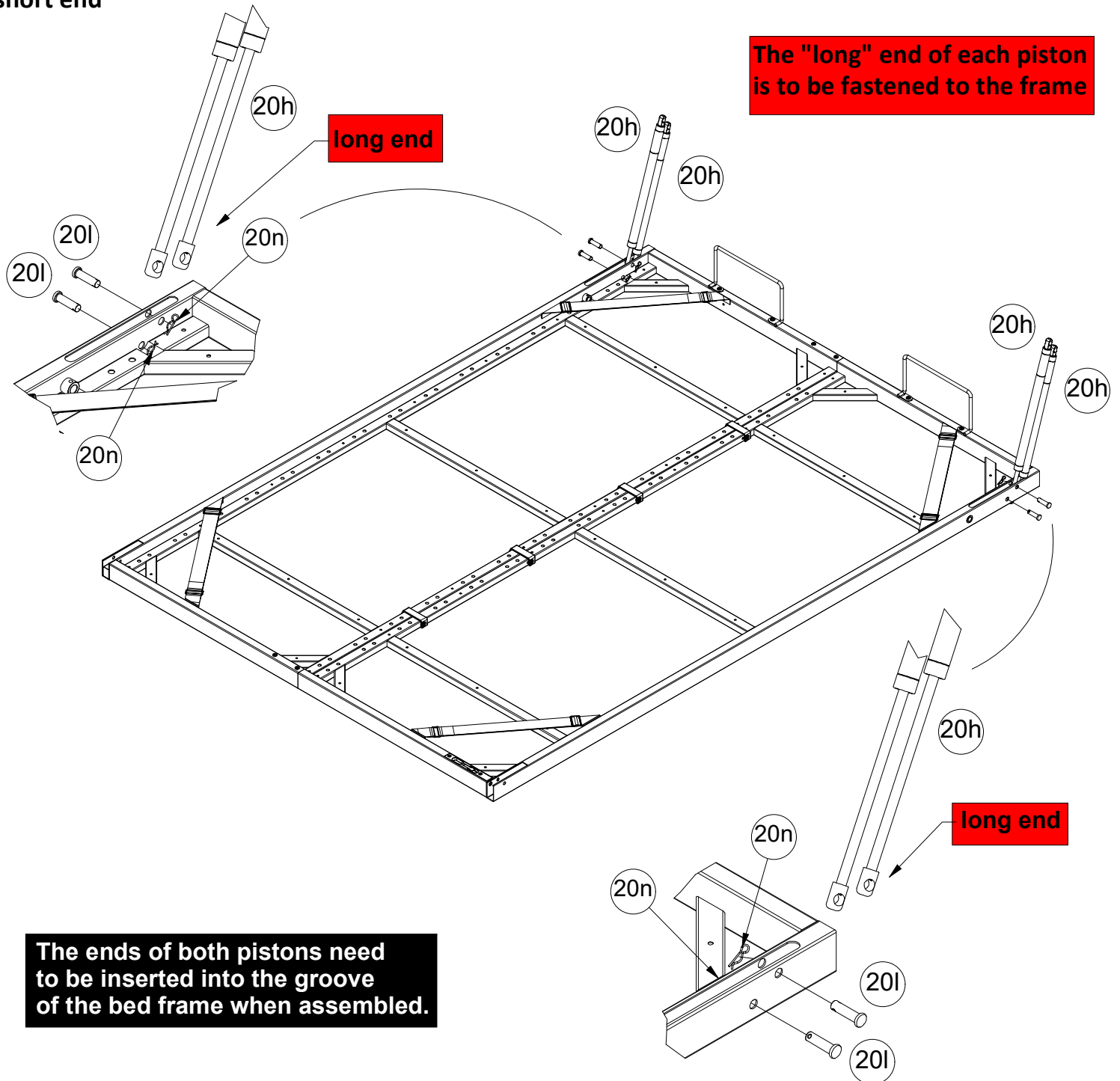
# STEP 40



# STEP 41



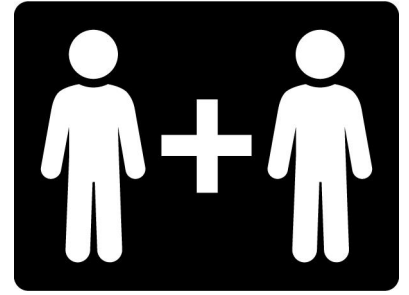
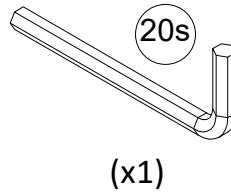
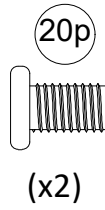
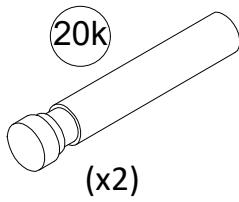
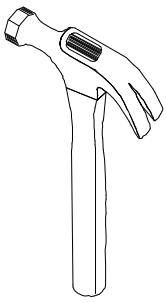
The "long" end of each piston is to be fastened to the frame



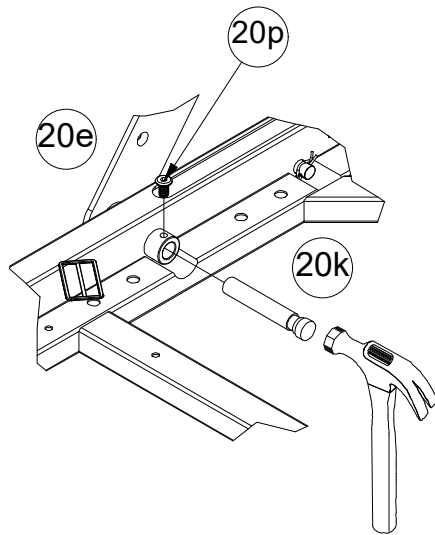
The ends of both pistons need to be inserted into the groove of the bed frame when assembled.



# STEP 42



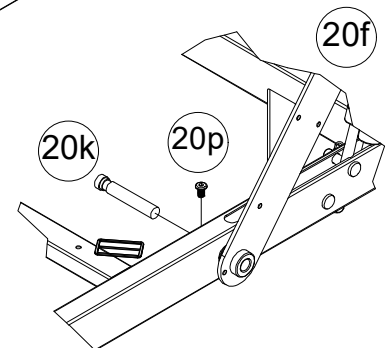
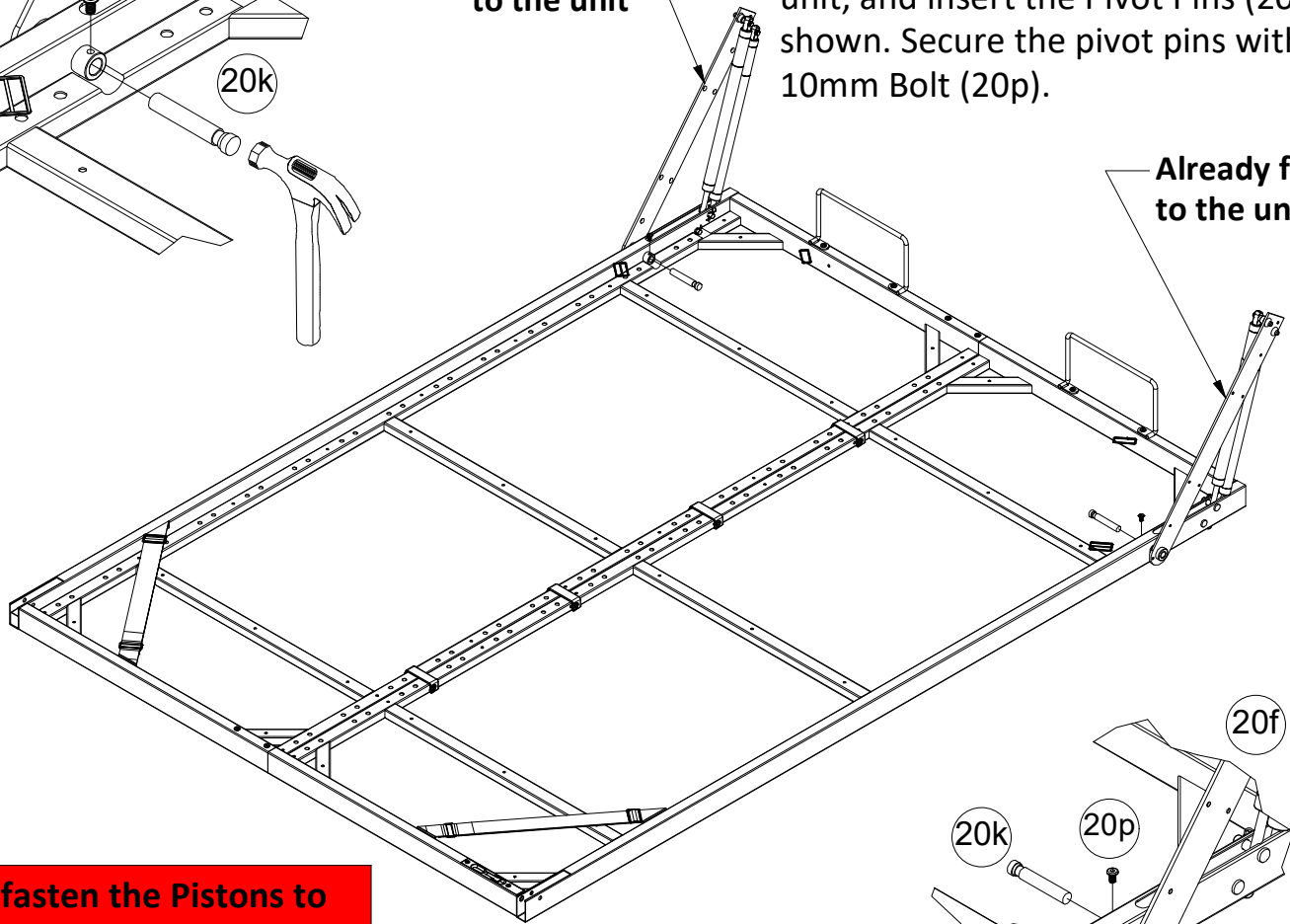
The cabinet is not shown to allow a clear view of the bed frame assembly



Already fastened to the unit

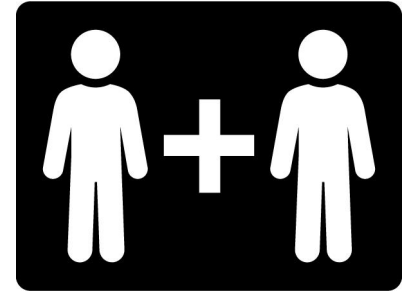
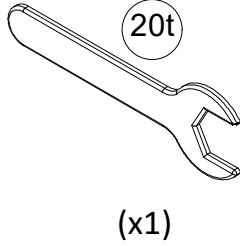
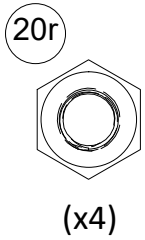
With a person on each side, lift the bed mechanism, line up the holes of the Bed Assembly with the large bushing hole of the Left and Right Pivot arm (20e & 20f) already installed to your unit, and insert the Pivot Pins (20k) as shown. Secure the pivot pins with a 10mm Bolt (20p).

Already fastened to the unit



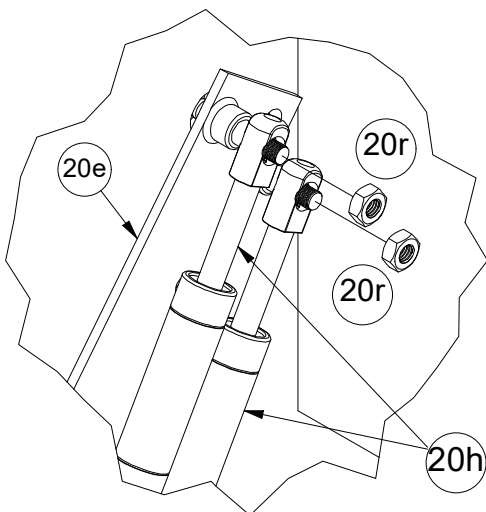
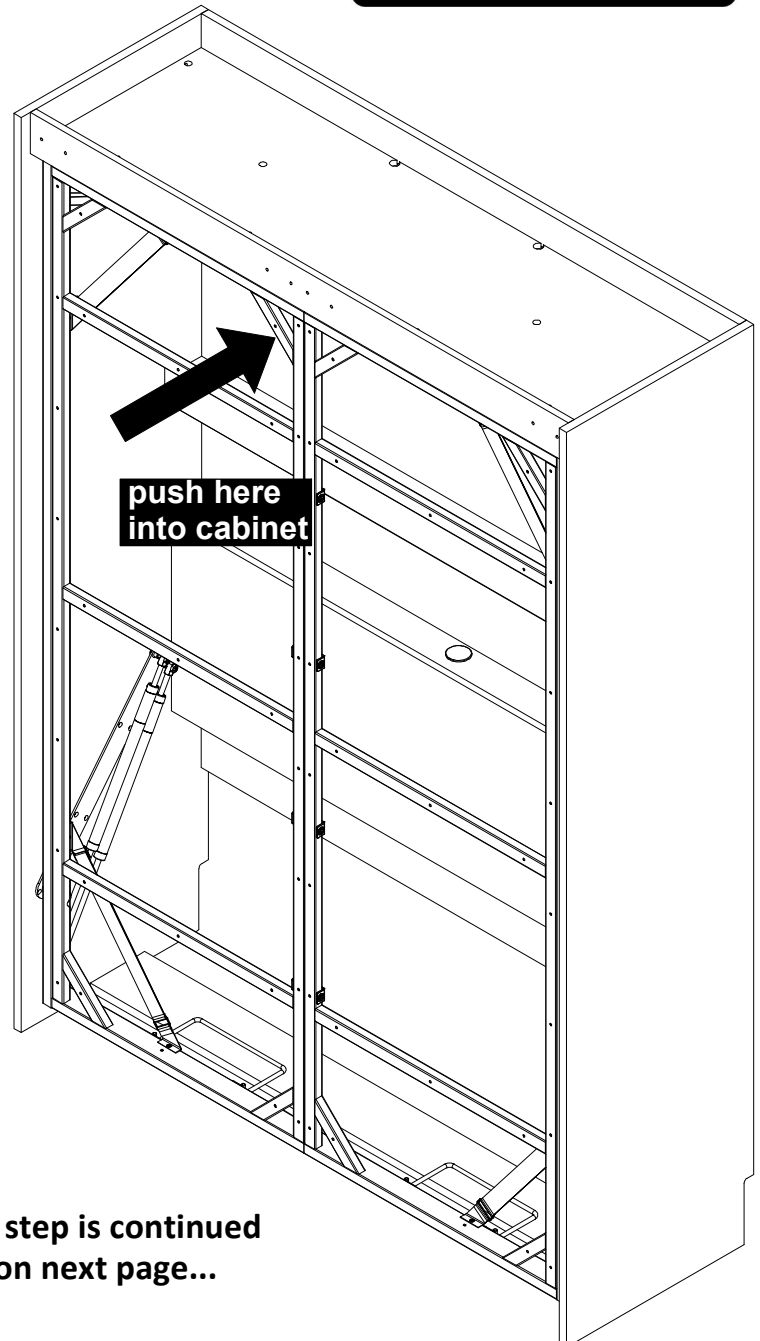
**Do not fasten the Pistons to the Left and Right Pivot arms at this point, this will be done on step 43**

# STEP 43



With a person on each side, carefully lift the bed frame in the closed position. While one person pushes the bed frame into the cabinet, passed the 90 degrees, the other person is to engage the "front" Gas Piston (20h) on each side of the unit, to the front pin of the Left and Right Pivot Arm (20e & 20f). Then tightly secure with two Nuts (20r).

To engage the "rear" Gas Piston (20h) on each side of the unit, slowly and carefully wiggle the bed frame back and forth until you can insert the Gas Pistons (20h) onto the rear pin of the Left and Right Pivot Arm (20e & 20f). Then tightly secure with two Nuts (20r).



this step is continued on next page...

# STEP 43 continued...

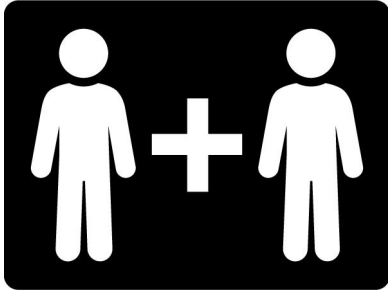
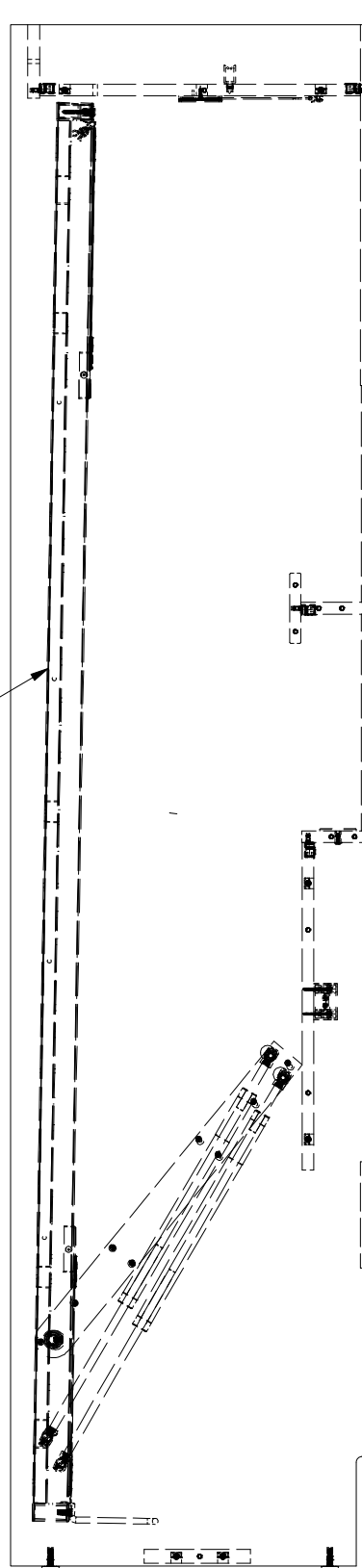


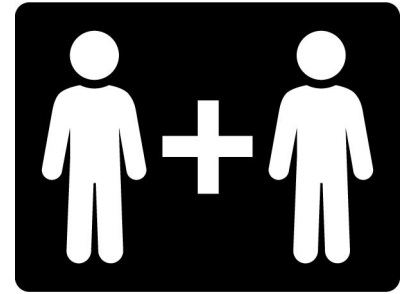
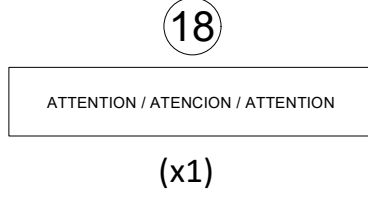
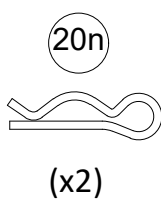
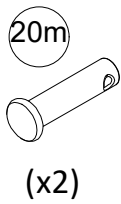
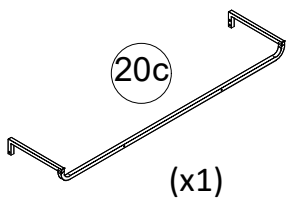
Image is showing the bed frame pushed into the cabinet, passed 90 degrees.

passed 90 degrees

**Please note: it is normal to see the bed frame in this state prior to the gas pistons being installed.**

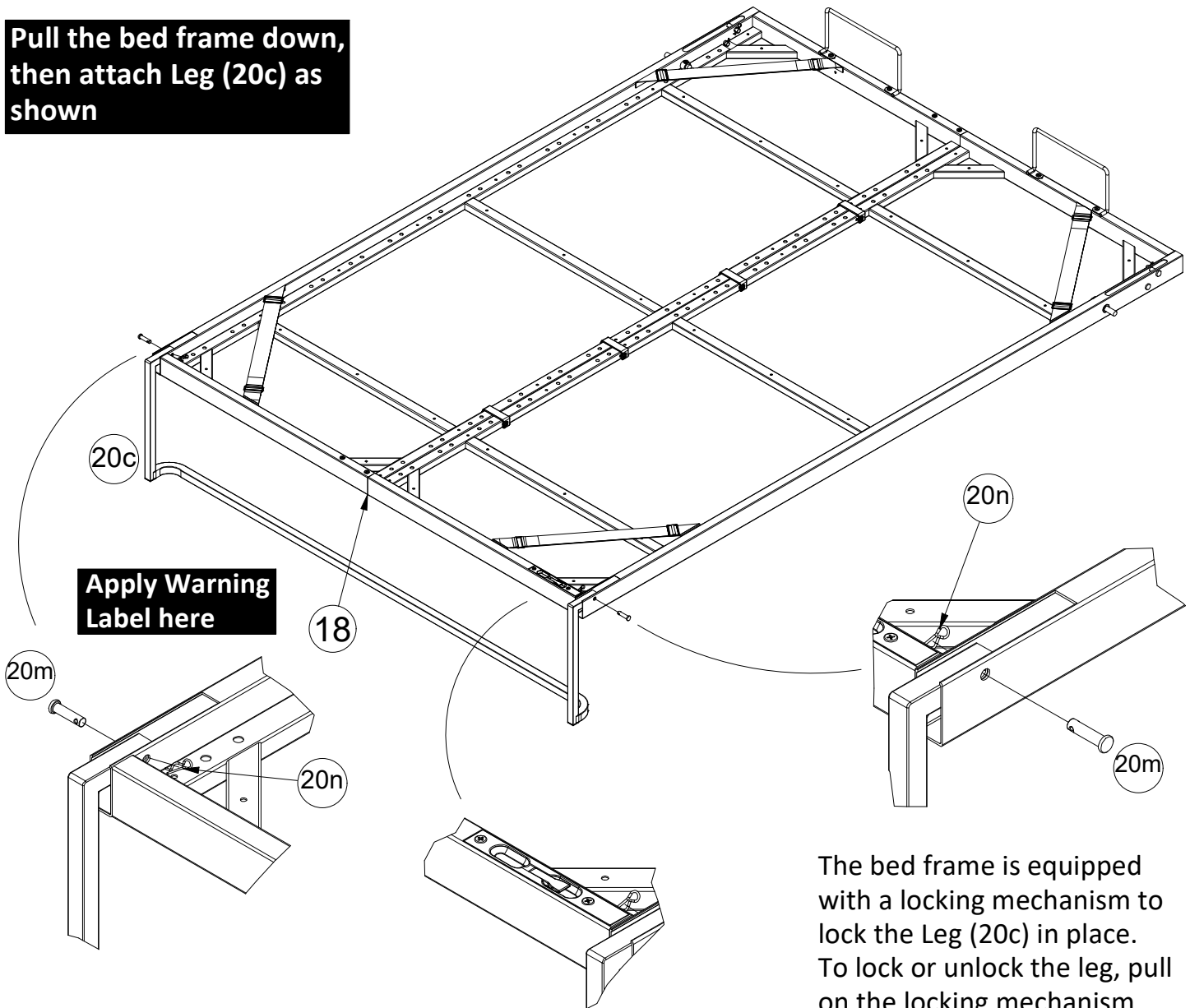


# STEP 44

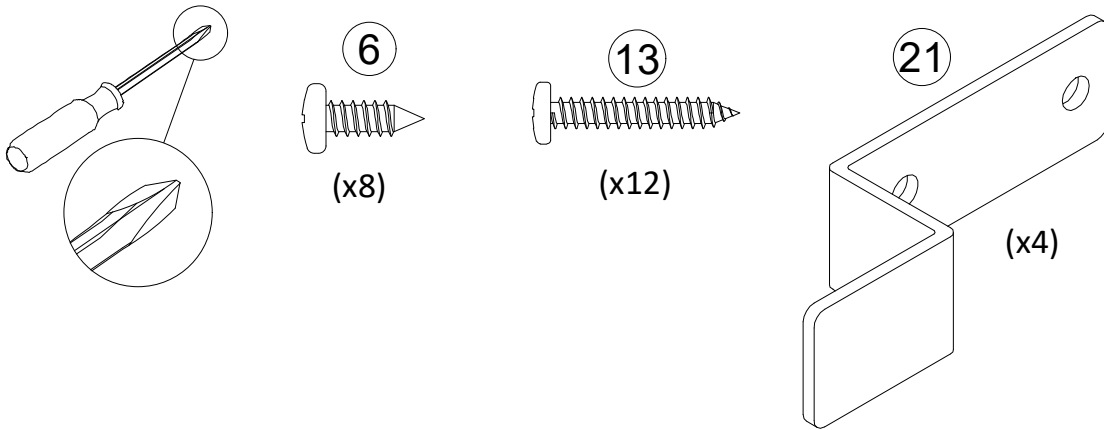


The cabinet is not shown to allow a clear view of the bed frame assembly

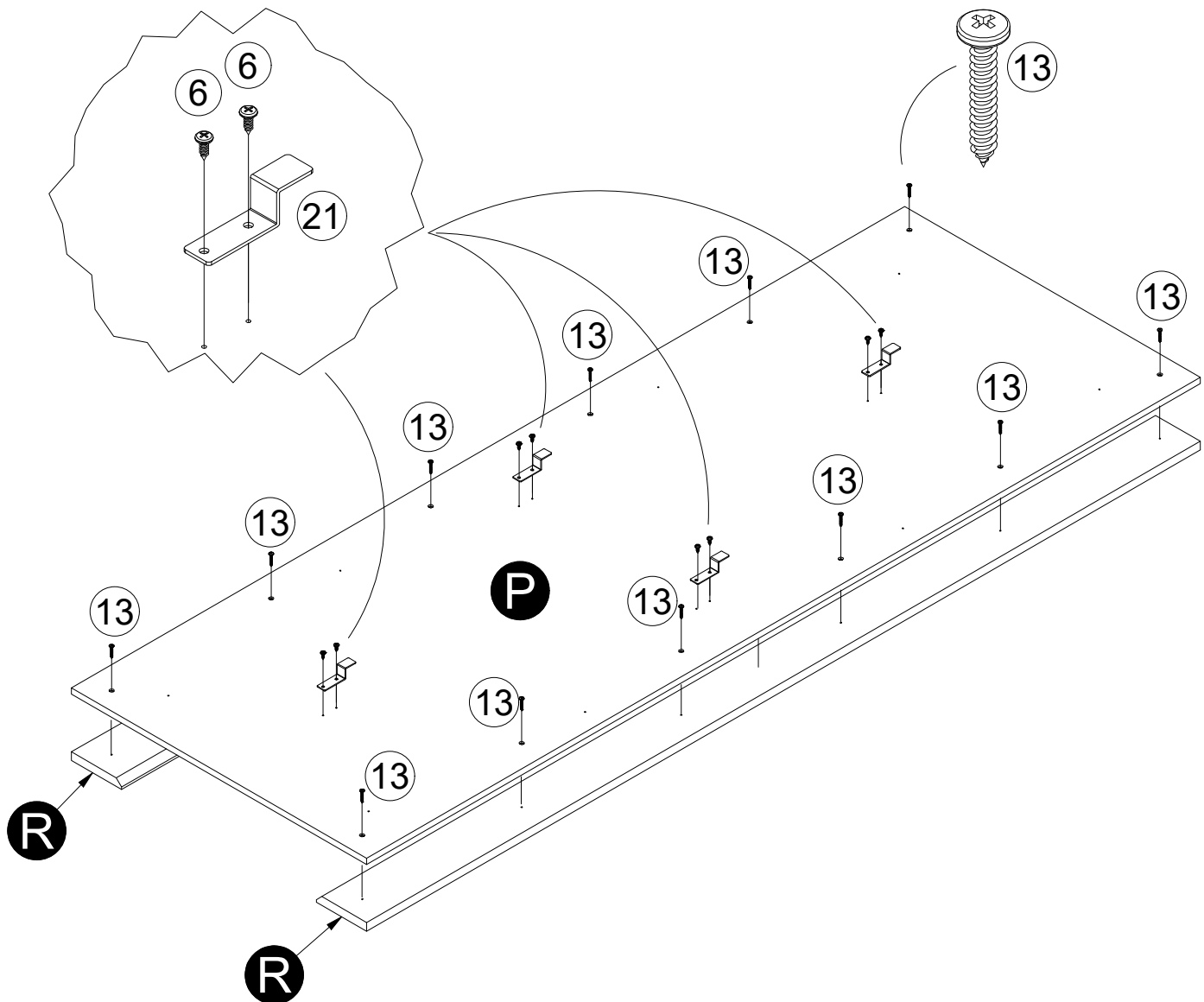
Pull the bed frame down, then attach Leg (20c) as shown



# STEP 45

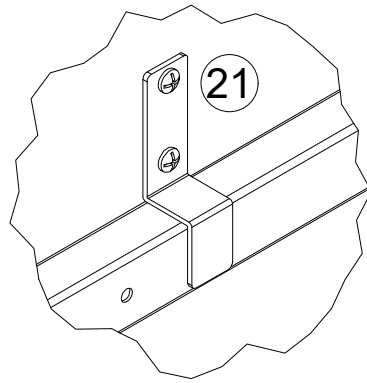
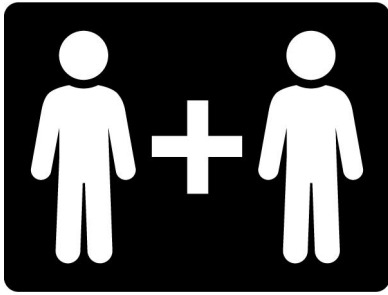


Proper orientation of bracket

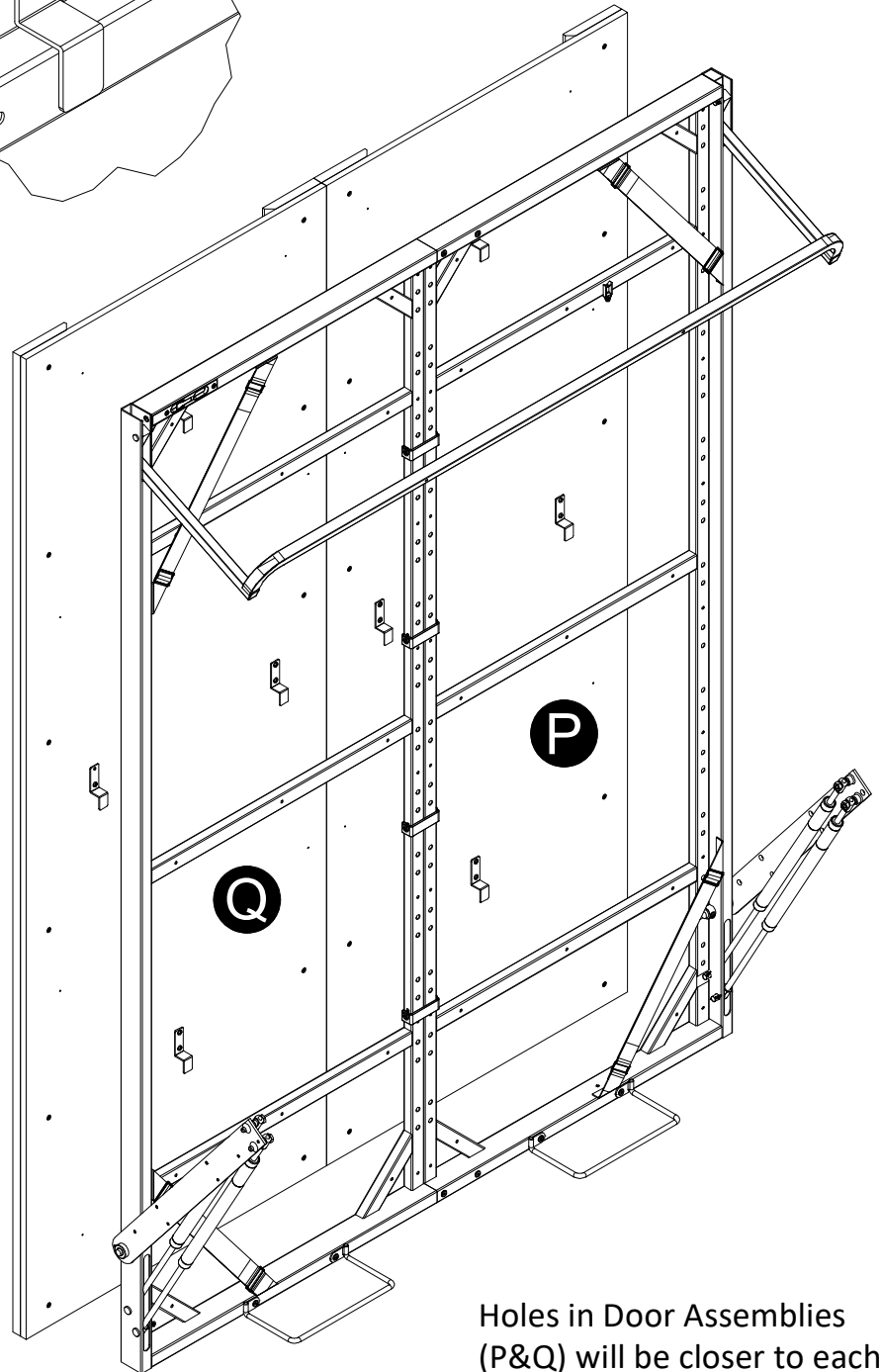




STEP 47



With the help of another person, lift the assembled Left Door Panel (P), position the Brackets (21) over the three Support Rails of the Bed Frame, and drop into position. Repeat the procedure for the Right Door Panel Assembly (Q).

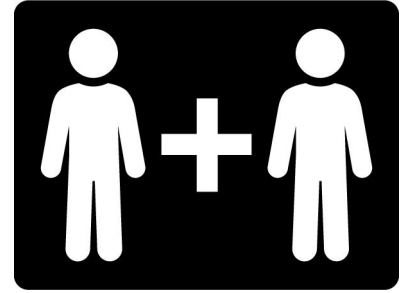
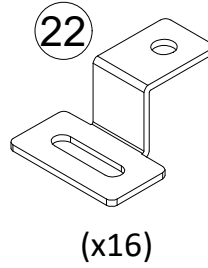
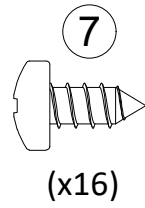
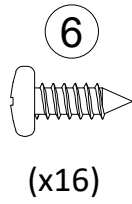
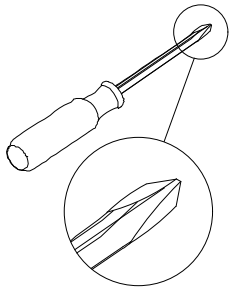


**IMPORTANT:**  
 First, unlock and flip the leg into the cabinet.  
 Then, lower the bed frame down a bit to allow clearance to hook Door Panel Assemblies (P&Q).

The cabinet is not shown to allow a clear view of the bed frame assembly

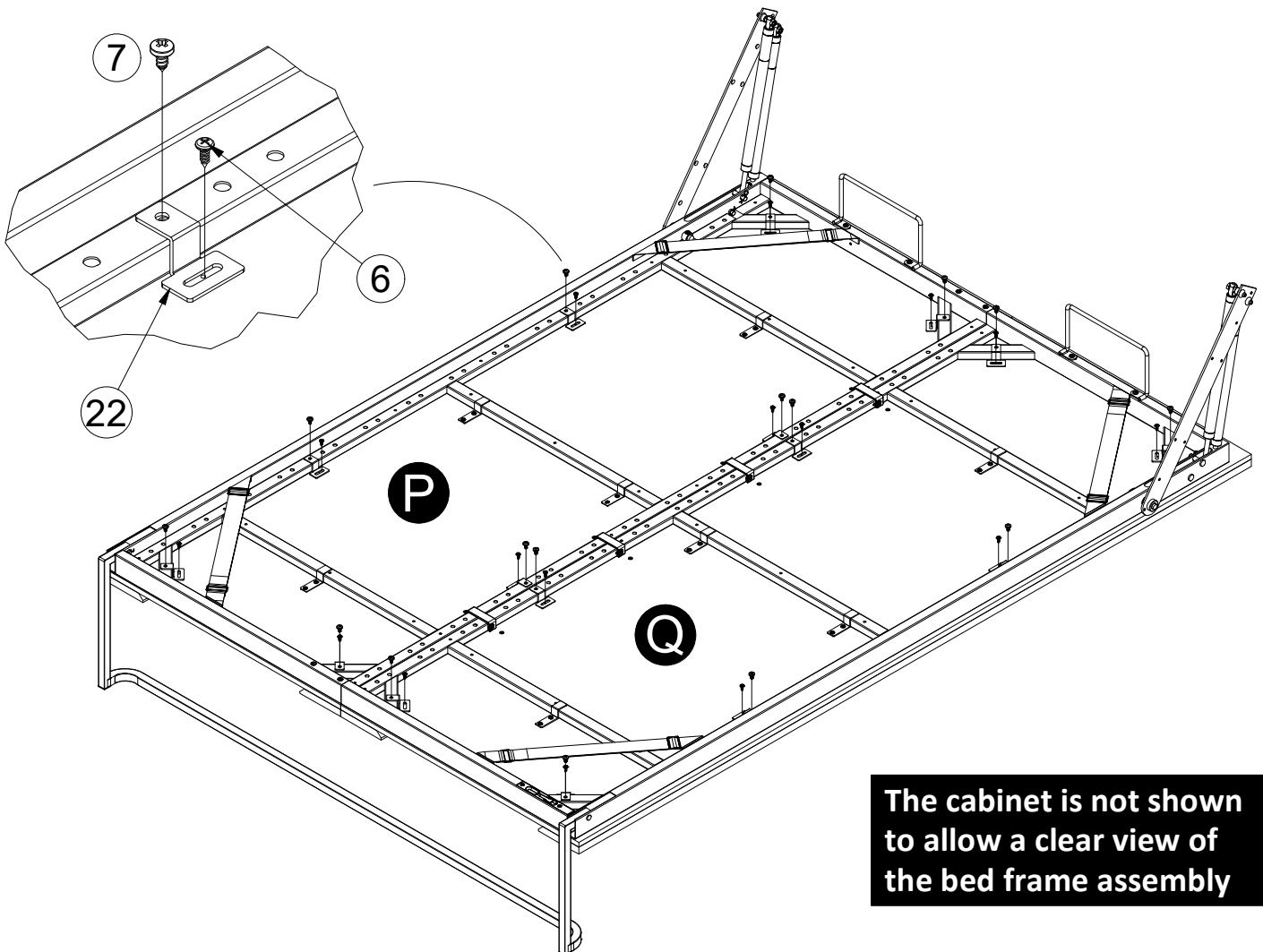
Holes in Door Assemblies (P&Q) will be closer to each other at the center

# STEP 48



**With the help of another person, carefully pull the bed frame open**

Align the entire assembly so that the edges are lined up with the bed frame and push up against the leg. This will set the top gap. Then fasten the panels to the bed frame with the brackets (22). Refer to the next page for bracket locations.

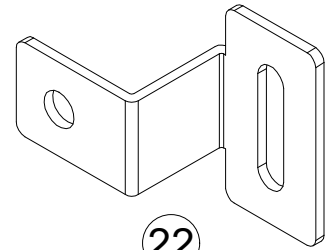


The cabinet is not shown to allow a clear view of the bed frame assembly



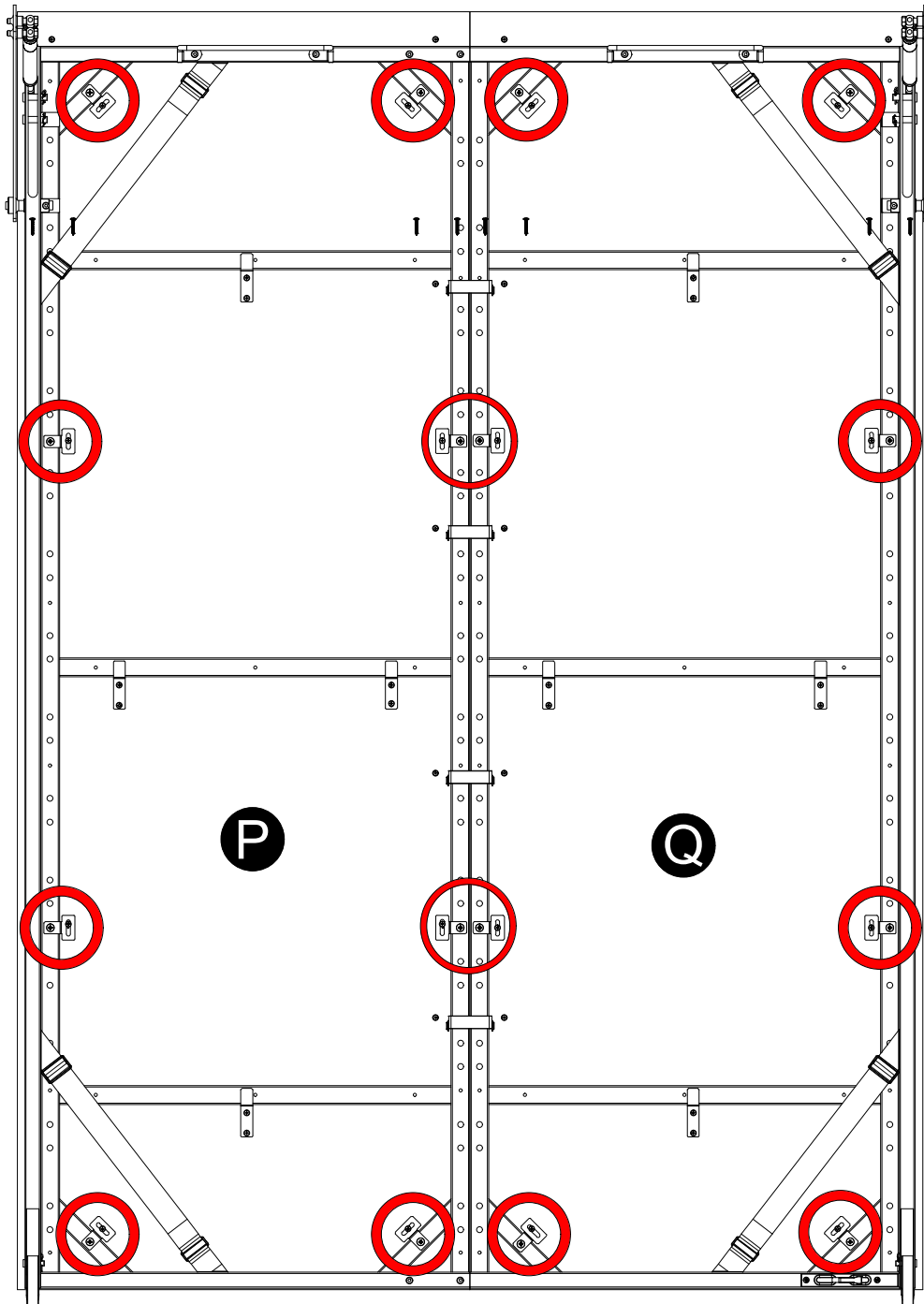
# STEP 48 continued...

View is looking from the top... showing location of brackets (22).

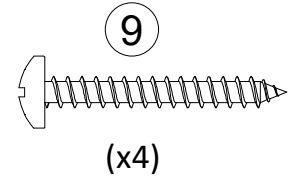
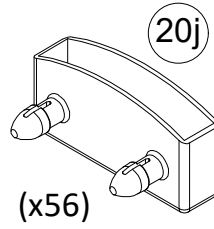
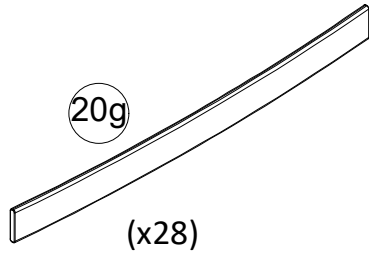
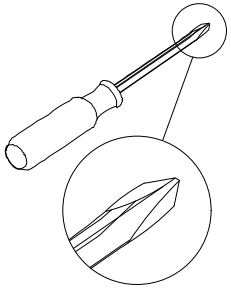


22

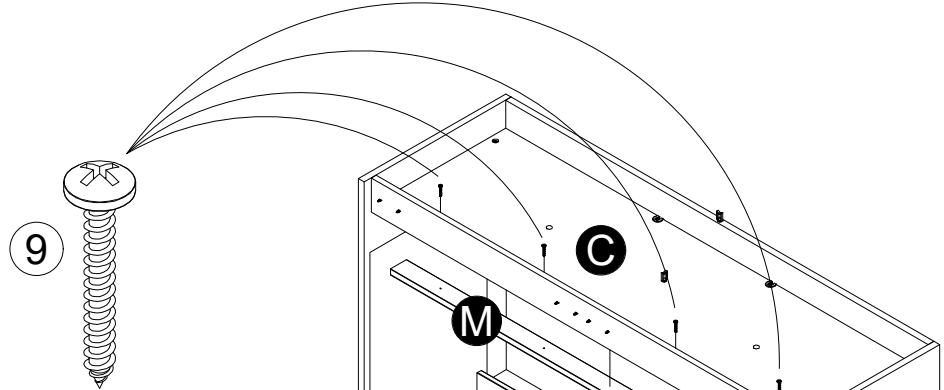
(x16)



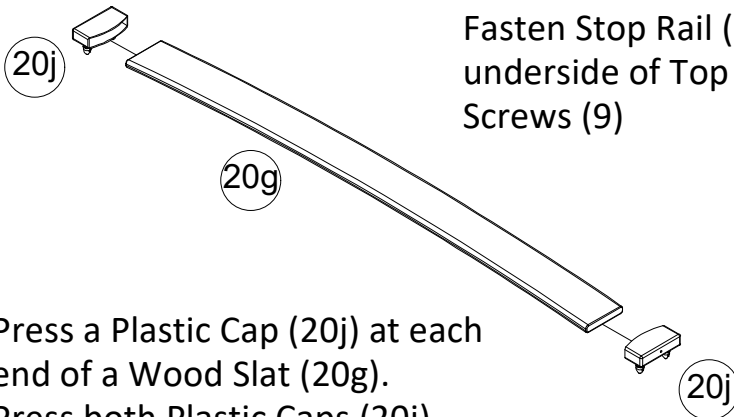
# STEP 49



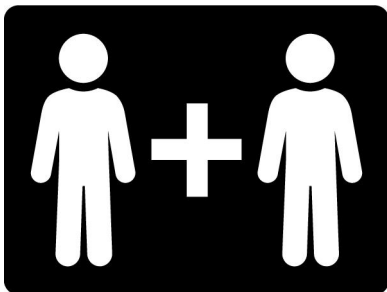
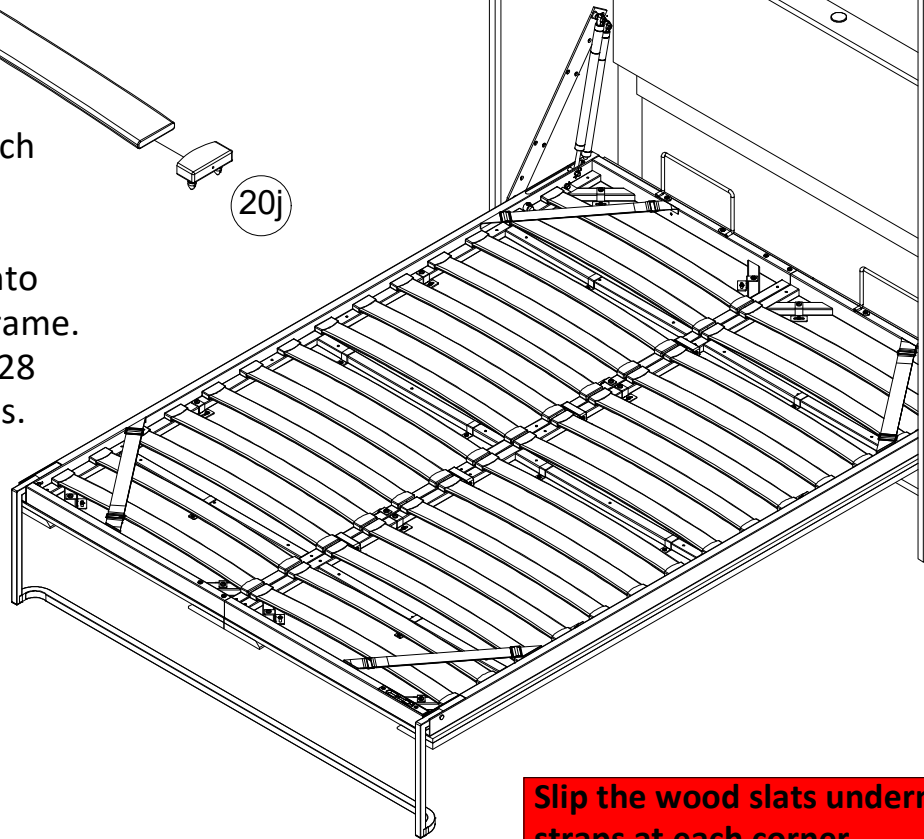
**A step ladder will be required. Do not lean against the top of the unit, it may cause sagging**



Fasten Stop Rail (M) to the underside of Top (C) with Screws (9)

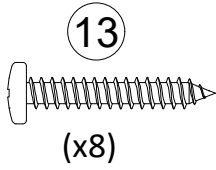
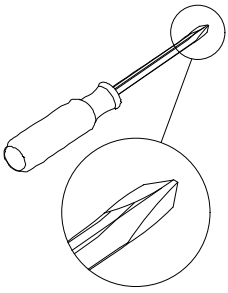


Press a Plastic Cap (20j) at each end of a Wood Slat (20g). Press both Plastic Caps (20j), attached to the Wood Slat, into the holes of the Metal Bed Frame. Repeat the procedure for all 28 wood slats and 56 plastic caps.

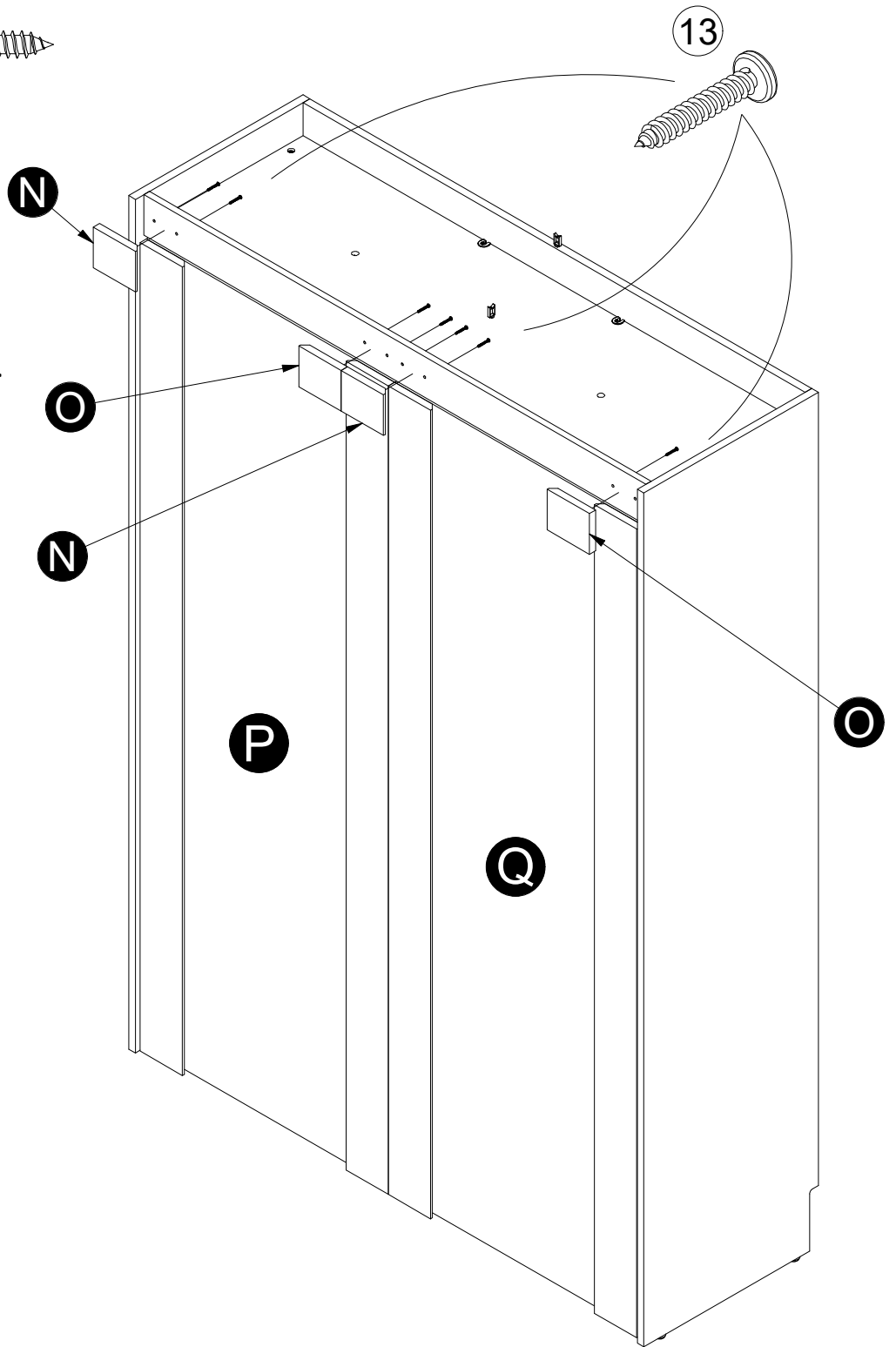
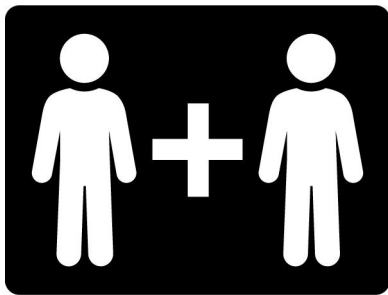


**Slip the wood slats underneath the straps at each corner**

# STEP 50



With help of another person, gently close the bed frame then assemble the upper rails (N & O).



# Maximum Loads

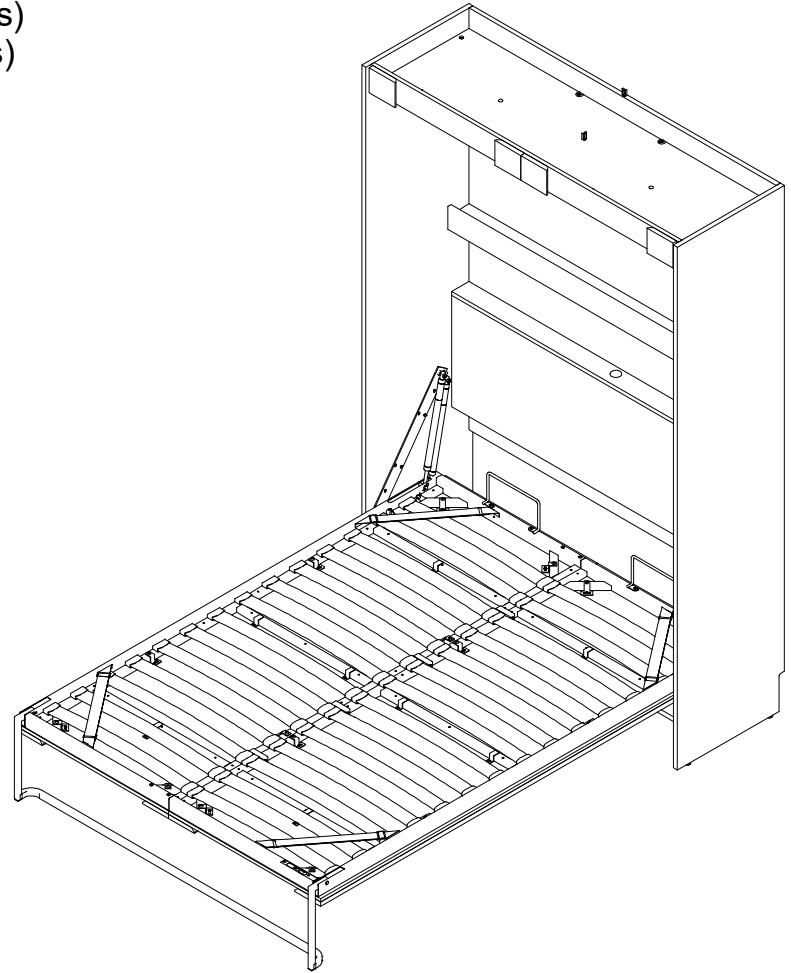
This unit has been designed to support the maximum loads shown. Exceeding these load limits could cause sagging, instability, product collapse, and/or serious injury.

This bed is designed to accommodate a Full Size Mattress, up to 10" inches thick.

\* with a maximum weight of 60 lbs (27.2 kgs)

\* with a minimum weight of 30 lbs (13.6 kgs)

After you have finished assembling your wall bed, please keep the assembly manual by placing it under the mattress, in the frame of the mobile part of the bed.



**Caution**

**Two people may be required to open and close the bed**

Once you've placed your fitted sheet onto your mattress, secure your mattress with the straps provided in all 4 corners of the bed frame.

Keep the bed closed when not in use. It is recommended not to leave pillows and/or ornamental pillows in place when the bed is closed to preserve the mechanism.

Certificate of Conformity

1. This certificate applies to the Dorel Home Furnishings, Inc. product identified by this instruction manual.
2. This certificate applies to compliance of this product with the CPSC Ban on Lead-Containing Paint (16 CFR 1303).
3. This product is distributed by: Dorel Home Furnishings, Inc.  
410 East First Street South  
Wright City, MO 63390  
636-745-3351
4. Site of Manufacture: Cornwall, ON
5. See front page of instruction manual for date of manufacture.

## Register your product to receive the following:



- \* New trend details - sneak peek on what's new
- \* Surveys - have a voice within our community
- \* Exclusive deals and discount codes
- \* Quick and easy replacement part service

To register your product, visit [ameriwoodhome.com](http://ameriwoodhome.com)

## 5 Star Rating



Visit your local retailer's website, rate your purchased product and leave us some feedback!

We would like to extend a big "Thank You" to all of our customers for taking the time to assemble this Ameriwood Home product, and to give us your valuable feedback.

*Thank You!*

# Español

Cubierta Delantera

Cama de pared: cama de día de tamaño completo

Fecha de compra

Número de lote

## ADVERTENCIA:

\* **ADVERTENCIA PARA NIÑOS PEQUEÑOS:** Este producto tiene piezas pequeñas, asegúrese de mantenerlas fuera del alcance de los niños pequeños. Los niños menores de 6 años, lactantes pequeños y bebés no deben dormir en esta cama por cuestiones de seguridad. Para evitar lesiones y daños a esta unidad, PROHÍBA saltar sobre ella.

\* Este producto está diseñado para uso doméstico y no está destinado al uso comercial.

**Le recomendamos que encargue a un profesional el ensamblaje de su producto.**

**ESTE MANUAL DE INSTRUCCIONES CONTIENE INFORMACIÓN IMPORTANTE SOBRE SEGURIDAD. LÉALO Y CONSÉRVELO PARA FUTURAS CONSULTAS.**

## ¡No devuelva este producto!

Primero póngase en contacto con nuestro servicio de atención al cliente.

Llame al 1-800-489-3351 (llamada gratuita)

Visite: [www.ameriwoodhome.com](http://www.ameriwoodhome.com)

## ADVERTENCIA

- La unidad puede volcarse y causar lesiones graves o la muerte.
- Fije la unidad a una clavija en la pared
- No permita que los niños se suban a la unidad

Medidor de dificultad de ensamblaje

Siga a Ameriwood Home

## ¡Contáctenos! (página 2)

## ¡No devuelva este producto!

Primero póngase en contacto con nuestro amable equipo de atención al cliente para obtener ayuda.

¡Llámenos! 1-800-489-3351

Visite [ameriwoodhome.com](http://ameriwoodhome.com) para ver la garantía limitada válida en EE. UU. y Canadá.

## Consejos útiles

PERSONAS NECESARIAS PARA EL ENSAMBLAJE: 2

- Abra el artículo en la zona donde piensa colocarlo para evitar levantarlo por su peso.
- Identifique, clasifique y cuente las piezas antes de intentar ensamblarlo.
- Asegúrese de orientar siempre la punta que está en la parte superior del bloqueo de leva hacia el borde exterior.
- NO utilice productos químicos agresivos ni limpiadores abrasivos.
- Nunca empuje, jale o arrastre los muebles.

## Antes de empezar (página 3)

- Lea detenidamente cada paso y siga el orden correcto.
- Separe y cuente todas sus piezas y herramientas. Las piezas tienen etiquetas en la superficie o el borde.
- Deje espacio suficiente para el proceso de ensamblaje.
- Debe tener las siguientes herramientas: destornillador Phillips n.º 2, martillo, nivel, detector de clavos, lápiz, escalera, mazo de goma y un taladro con brocas de 1/8" y 1/4".
- **Precaución:** Si usa un taladro o atornillador eléctrico para atornillar, tenga en cuenta que debe reducir la velocidad y detenerse cuando el tornillo esté apretado. Reduzca el par de torsión a un nivel inferior para que el taladro salte cuando el tornillo esté apretado. De lo contrario, el tornillo podría romperse.

## Sistema de fijación con bloqueo de leva

Este sistema de bloqueo de leva se usará en todo el proceso de ensamblaje.

## Identificación de la placa (página 4)

No es el tamaño real

Lista de piezas			
Artículo	Cantidad	Numero de pieza	Descripcion
A	1	37769339010	Panel izquierdo
B	1	37769339020	Panel derecho
C	1	37769339030	Pieza superior
D	1	37769339040	Pieza inferior
E	1	37769339050	Cenefa
F	1	37769339060	Panel trasero superior
G	2	37769339070	Panel trasero central
H	1	37769339080	Estante superior
I	1	37769339090	Panel de la cabecera
J	1	37769339100	Travesano inferior
K	1	37769339110	Estante inferior
L	1	37769339120	Riel de estante
M	1	37769339130	Riel de tope
N	2	37769339140	Riel superior izquierdo
O	2	37769339150	Riel superior derecho
P	1	37769339160	Panel de la puerta izquierda
Q	1	37769339170	Panel de la puerta derecha
R	4	37769339180	Moldura de puerta vertical

**Página 6**

Tenga en cuenta que su modelo puede contener hardware adicional.

**Lista de piezas****Tamaño real**

- |                             |                              |
|-----------------------------|------------------------------|
| 1. Bloqueo de leva          | 12. Tornillo #8 x 1/2" pan   |
| 2. Perno de leva            | 13. Tornillo #8 x 1" pan     |
| 3. Pasador de madera        | 14. Tornillo #6 x 5/8" pan   |
| 4. Perno conector           | 15. Tornillo #6 x 1-1/2 pan  |
| 5. Conector                 | 16. Sillín de alambre        |
| 6. Tornillo #10 x 1/2" pan  | 17. Tornillo #8 x 3-1/2" pan |
| 7. Tornillo #14 x 1/2" pan  | 18. Etiqueta de advertencia  |
| 8. Tornillo #8 x 5/8" flat  | 19. Kit de luz LED dual      |
| 9. Tornillo #8 x 1-1/4" pan | 20. Disco de sensor táctil   |
| 10. Guía                    | 21. Soporte de puerta        |
| 11. Tuerca                  | 22. Soporte de puerta        |
|                             | 23. Localizador de postes    |



## **Página 8: Identificación del marco de cama**

No es el tamaño real

**Nota: No se identificarán todas las piezas.**

21a - Ensamblaje izquierdo

21b - Ensamblaje derecho

21c - Pata

21d - Soporte de colchón

21e - Brazo giratorio izquierdo

21f - Brazo giratorio derecho

21g - Tablilla de madera

21h - Pistón de gas

21i - Soporte en U

21j - Tapa de plástico

21k - Pasador giratorio

21l - Pasador de horquilla grande

21m - Pasador de horquilla pequeño

21n - Pasador

21o - Perno - M6 x 16mm

21p - Perno - M6 x 10mm

21q - Arandela

21r - Tuerca hexagonal

21s - Llave hexagonal

21t - Llave inglesa

21u - Pata de goma

## **Página 10: Paso 1**

Orientación correcta del bloqueo de leva

**VOLTEAR**

## **Página 11: Paso 2**

Orientación correcta del bloqueo de leva

## **Página 12: Paso 3**

Orientación correcta del bloqueo de leva

Orientación correcta del conector

## **Página 13: Paso 4**

Orientación correcta del bloqueo de leva

## **Página 15: Paso 6**

Orientación correcta del conector

## **Página 18: Paso 9**

Orientación correcta del bloqueo de leva

Orientación correcta del conector

## **Página 20: Paso 11**

El brazo pivotante izquierdo (20e) se encuentra en la caja del mecanismo de la cama mural

3678096COM

**Página 22: Paso 13**

El brazo pivotante derecho (20f) se encuentra en la caja del mecanismo de la cama de pared 3678096COM

**Página 23: Paso 14**

Gire en el sentido de las agujas del reloj para bloquear

**La orientación del montaje es fundamental!**

Superficie inacabada

Borde inacabado

**Página 24: Paso 15**

Gire en el sentido de las agujas del reloj para bloquear

Superficie inacabada

Borde inacabado

**Página 25: Paso 16**

Gire en el sentido de las agujas del reloj para bloquear

Nota: El riel del estante (L) es simétrico

**Página 26: Paso 17**

Gire en el sentido de las agujas del reloj para bloquear

**La orientación del montaje es fundamental!**

Superficie inacabada

Borde inacabado

**Página 28: Paso 19**

La clavija está más cerca del borde aquí

**Página 29: Paso 20**

Presione las clavijas en su lugar. Suavemente, use un mazo de goma si es necesario

**Página 30: Paso 21**

La clavija está más cerca del borde aquí

**Página 32: Paso 23**

Borde acabado

**Página 33: Paso 24**

Empiece por un extremo y siga hasta el otro para alinear las piezas antes de bloquear las levas.

## **Página 34: Paso 25**

Con la ayuda de otra persona, coloque suavemente la unidad sobre su parte frontal de modo que las guías queden orientadas hacia la pared.

Golpee los casquillos (11) con un martillo.

Atornille las guías ajustables (10) hasta el fondo.

## **Página 35: Paso 26**

Los siguientes pasos son ensamblar su hardware eléctrico.

Información sobre la longitud del cable:

1. El cable de alimentación es de 72" desde el transformador hasta la punta del enchufe
2. El cable del lazo para el disco del sensor, desde el transformador es de 48" hasta el centro del lazo
3. El cable de luz que termina en un clip (que eventualmente se conectará al módulo de luz), ese cable, desde el transformador es de 100 "hasta el clip
4. El módulo de luz, su cable sale del disco de luz y se extiende 5" hasta el centro de su clip

El kit de luces LED dobles incluye:

19a. Transformador

19b. Cable de alimentación eléctrica

19c. Cable del sensor de bucle

19d. peniques Luces LED duales con enchufes de luz

Disco del sensor táctil (empaquetado por separado)

El Touch Sensor Disk tiene 3 opciones de brillo.

- Toque 1 - luz nocturna
- Toque 2 - luz de ahorro de energía
- Touch 3 - luz de lectura brillante
- Toque 4 - apagar

tocar

disco sensor

Tenga en cuenta: el hardware de montaje no está incluido en estos paquetes. Pero se proporcionan en una bolsa de hardware.

## **Página 36: Paso 27**

Montaje del juego de luces LED

Abra el paquete del kit de luces LED. Todo se ensamblará.

Primero, desenganche la luz LED del enchufe de la luz como se muestra...

desabrochar

enchufe de luz

Luz LED

En segundo lugar, debe desmontar la luz LED. Desenrosque la cubierta de la base y luego retire la pieza de la lente. Coloque estas piezas de forma segura a un lado.

cubrir

lente

base

módulo de luz

## **Página 37: Paso 28**

Coloque el transformador (19a) en la ubicación que se muestra. Enrosque el enchufe de la fuente de alimentación (19b) frente al larguero inferior (J) si es necesario para la fuente de alimentación.

## **Página 38: Paso 29**

Coloque la unidad en posición vertical con la ayuda de otra persona. Durante estos pasos, permita que la otra persona sostenga la unidad de manera segura para que no se vuelque.

Coloque el disco del sensor táctil (20) en la ubicación que se muestra en el estante inferior (K).

## **Página 39: Paso 30**

Con la ayuda de otra persona que sostenga la unidad en posición vertical, tome el sensor de bucle (19c) que está conectado al transformador (19a) y colóquelo debajo del estante inferior (K) en la ubicación del orificio del disco del sensor táctil (20). Enrosque el tornillo (12) a través del sensor de bucle y atorníllelo en el disco del sensor táctil (20).

Una vez que el tornillo (12) esté completamente apretado, enrosque los cables del enchufe de luz (19d) a lo largo de la parte posterior de la unidad. Pase los cables a través de la montura de alambre (16) en el borde superior del panel trasero superior (F). Asegure los cables para que no se caigan detrás de la unidad cuando se fijen a la pared.

## **Página 40: Paso 31**

Con la ayuda de otra persona que sostenga la unidad en posición vertical, monte las luces LED desmontadas (19d) en la parte superior (C) con el tornillo (14). Pase los cables de las luces LED (19d) a través de los orificios proporcionados en la parte superior (C) para permitir que los cables queden encima de la parte superior (C).

agujero para alambre

## **Página 41: Paso 32**

Con la ayuda de otra persona que sostenga la unidad en posición vertical, pase los cables de la luz LED a través del soporte del cable (16) en la parte superior (C) y en el panel trasero superior (F). Jale los cables detrás de la parte trasera de la unidad. Sujete los enchufes de luz (19d) (que están fijos en el transformador) nuevamente en los cables de luz LED.

clip de nuevo juntos  
enchufe de luz  
Luz LED

## **Página 42: Paso 33**

Con la ayuda de otra persona que sostenga la unidad en posición vertical, vuelva a ensamblar las luces LED. Primero coloque la lente en la base y luego atornille la cubierta a la base como se muestra a continuación.

base  
lente  
cubrir

Ajuste los cables necesarios según sea necesario.

Asegúrese de que el enchufe de la fuente de alimentación esté enroscado donde se encuentra la toma de corriente atendida. Coloque contra la pared.

Conéctelo al tomacorriente y asegúrese de que la luz LED y el disco del sensor táctil funcionen correctamente.

## **Página 43:**

Los siguientes pasos consisten en ensamblar la unidad en la pared.

La unidad ensamblada DEBE ser cuadrada en altura, anchura y profundidad para funcionar correctamente.

La unidad ensamblada DEBE colocarse plana contra la pared.

La unidad ensamblada DEBE atornillarse a las clavijas de la pared en la parte de arriba y de abajo para mayor seguridad.

Debe localizar al menos 3 clavijas, pero 4 es mejor.

NO use anclajes de pared para fijar la unidad a la pared.

Use el localizador de clavos suministrado con su unidad en los lugares previstos.

Para ladrillos, concreto u otros materiales de pared:

Consulte en su ferretería local los anclajes adecuados para fijar la unidad a la pared de forma segura.

## **Página 44: Paso 34**

Con la ayuda de otra persona, coloque el aparato AL RAS de la pared.

**Asegúrese de que los cables del enchufe de la luz (19d) estén seguros en el soporte del cable (16) ubicado en el panel trasero superior (F).**

sillín de alambre

**¡NO lo corte en la cama!**

En la parte trasera de la unidad hay unas muescas que deben ajustarse alrededor de la placa base en la pared. Si la placa base es más alta o más gruesa que las muescas de la unidad, tendrá que quitar la placa base, cortarla para que quepa a ambos lados de la unidad y volver a fijarla a la pared.

## **Página 45: Paso 35**

La unidad ensamblada DEBE estar al ras en altura, anchura y profundidad para funcionar correctamente.

Necesitará una escalera de mano. No se apoye en la parte superior de la unidad, puede causar pandeo.

Si es necesario, desenrosque las guías en sentido contrario a las agujas del reloj en las cuatro esquinas hasta que la unidad esté nivelada en todas las direcciones.

## **Página 46: Paso 36**

Localice los montantes en la pared, utilizando el localizador de montantes (23) que se suministra. Con un lápiz, marque las ubicaciones de los montantes en la superficie superior del panel posterior superior (F), justo encima de la parte superior (C). Utilizando un nivel, lleve las ubicaciones de los montantes hasta el larguero inferior (J), y con un lápiz, marque las ubicaciones de los montantes.

Necesita localizar al menos 3 clavijas, pero 4 es mejor.

Necesitará una escalera. No se apoye en la parte superior de la unidad, puede causar pandeo.

## **Página 47: Paso 37**

En primer lugar, asegúrese de que la unidad sigue nivelada en todas las direcciones.

Taladre orificios guía de 1/8" (3 mm) a través del panel posterior superior (F) y el travesaño inferior (J) en las marcas de localización de las clavijas. Fije la unidad a las clavijas de la pared con los tornillos (17).

Necesitará una escalera. No se apoye en la parte superior de la unidad, puede causar pandeo.

## **Página 48:**

Los siguientes pasos consisten en ensamblar el marco de cama metálico y el mecanismo.

Estas piezas están en la caja del mecanismo de la cama de pared #3678096COM.

## **Página 49: Paso 38**

Introduzca presionando en cada orificio

Puede necesitar un mazo de goma

## **Página 52: Paso 41**

**Extremo largo**

**Extremo corto**

**El extremo "largo" de cada pistón debe fijarse al marco.**

Los extremos de ambos pistones deben insertarse en la ranura del marco de cama cuando estén ensamblados.

## **Página 53: Paso 42**

No se muestra el gabinete para permitir una visión clara del conjunto del marco de cama.

Ya fijado a la unidad

Con una persona a cada lado, levante el mecanismo de la cama, alinee los orificios del conjunto de la cama con el orificio del casquillo grande del brazo pivotante izquierdo y derecho (20e y 20f) ya instalado en su unidad, e inserte los pasadores pivotantes (20k) como se muestra.

Asegure los pasadores de pivote con un perno de 10 mm (20p).

No fije los pistones a los brazos giratorios izquierdo y derecho en este punto, esto se hará en el paso 43.

## **Página 54: Paso 43**

**Con una persona a cada lado, levante con cuidado el somier en posición cerrada. Mientras una persona empuja el armazón de la cama hacia el interior del armario, pasados los 90 grados, la otra persona debe enganchar el pistón de gas "delantero" (20h) de cada lado de la unidad, al pasador delantero del brazo pivotante izquierdo y derecho (20e y 20f). A continuación, asegúrelo firmemente con dos tuercas (20r).**

**Para enganchar el pistón de gas "trasero" (20h) en cada lado de la unidad, mueva lenta y cuidadosamente el somier hacia delante y hacia atrás hasta que pueda insertar los pistones de gas (20h) en el pasador trasero del brazo pivotante izquierdo y derecho (20e y 20f). A continuación, asegúrelos firmemente con dos tuercas (20r).**

**Empuja aquí en el gabinete**

**Este paso continúa en la página siguiente...**

## **Página 55: Paso 43 continuación...**

**Pasados 90 grados**

La imagen muestra el marco de cama empujado dentro del gabinete, pasados 90 grados.

Nota: Es normal ver el marco de cama en este estado antes de instalar los pistones de gas.

## **Página 56: Paso 44**

**No se muestra el gabinete para permitir una visión clara del conjunto del marco de cama. Jale el marco de cama hacia abajo y luego fije la pata (20c) como se muestra.**

**Aplique la etiqueta de advertencia aquí.**

El marco de cama está equipado con un mecanismo para bloquear la pata (20c) en su lugar. Para bloquear o desbloquear la pata, jale el mecanismo de bloqueo.

## **Página 57: Paso 45**

Orientación correcta del soporte

## **Página 58: Paso 46**

Orientación correcta del soporte

## **Página 59: Paso 47**

Con la ayuda de otra persona, levante el panel de la puerta izquierda ensamblado (P), coloque los soportes (21) sobre los tres rieles de soporte del marco de la cama y colóquelos en su posición.

Repita el procedimiento para el conjunto del panel de la puerta derecha (Q).

**IMPORTANTE:**

Primero, desbloquee y voltee la pata en el gabinete.

Luego, baje un poco el marco de la cama para dejar espacio libre para enganchar los conjuntos de paneles de puerta (P & Q).

No se muestra el gabinete para permitir una visión clara del conjunto del marco de la cama

Los orificios en los conjuntos de puertas (P&Q) estarán más cerca unos de otros en el centro

## **Página 60: Paso 48**

Con la ayuda de otra persona, abra con cuidado el marco de la cama

Alinee todo el conjunto de modo que los bordes estén alineados con el marco de la cama y empuje hacia arriba contra la pata. Esto establecerá el espacio superior. A continuación, fije los paneles al marco de la cama con los soportes (22). Consulte la página siguiente para conocer las ubicaciones de los soportes.

No se muestra el gabinete para permitir una visión clara del conjunto del marco de la cama

## **Página 61: Paso 48 continuación...**

Esta vista está mirando desde arriba... mostrando la ubicación de los corchetes (22).



## **Página 62: Paso 49**

Se requerirá una escalera de tijera. No se apoye contra la parte superior de la unidad, ya que puede causar flacidez

Fije el riel de tope (M) a la parte inferior de la parte superior (C) con tornillos (9)

Presione una tapa de plástico (20j) en cada extremo de un listón de madera (20 g).

Presione las dos tapas de plástico (20j), unidas al listón de madera, en los orificios del marco de la cama de metal.

Repita el procedimiento para los 28 listones de madera y las 56 tapas de plástico.

Desliza los listones de madera debajo de las correas en cada esquina

## **Página 63: Paso 50**

Con la ayuda de otra persona, cierre suavemente el marco de la cama y luego ensamble los rieles superiores (N y O).

## **Página 64: Cargas máximas**

Esta unidad está diseñada para soportar las cargas máximas indicadas. Exceder estos límites de carga podría causar pandeo, inestabilidad, colapso del producto o lesiones graves.

Esta cama está diseñada para acomodar un colchón de tamaño completo, de hasta 10" de grosor.

**\* con un peso máximo de 27.2 kg (60 lb)**

**\* con un peso mínimo de 13.6 kg (30 lb)**

Cuando haya terminado de ensamblar su cama de pared, conserve el manual de ensamblaje colocándolo debajo del colchón, en el marco de la parte móvil de la cama.

**Precaución: Pueden ser necesarias dos personas para abrir y cerrar la cama.**

Cuando haya colocado la sábana bajera en el colchón, asegúrelo con las correas suministradas en las 4 esquinas del marco de cama.

Mantenga la cama cerrada cuando no se use. Se recomienda no dejar almohadas o cojines decorativos cuando la cama esté cerrada para conservar el mecanismo.

## **Certificado de conformidad**

**1. Este certificado se aplica al producto Dorel Home Furnishings, Inc. identificado en este manual de instrucciones.**

**2. Este certificado se aplica a la conformidad de este producto con la prohibición de la CPSC sobre pinturas con plomo (16 CFR 1303).**

**3. Este producto es distribuido por: Dorel Home Furnishings, Inc.**

**410 East First Street South**

**Wright City, MO 63390**

**636-745-3351**

**4. Lugar de fabricación: Cornwall, ON.**

**5. La fecha de fabricación se encuentra en la portada del manual de instrucciones.**

**Página 65: Registre su producto para recibir lo siguiente:**

- \* Detalles de las nuevas tendencias: un vistazo de las novedades.**
- \* Encuestas: haga oír su voz en nuestra comunidad.**
- \* Ofertas exclusivas y códigos de descuento.**
- \* Servicio de piezas de repuesto rápido y sencillo.**

**Para registrar su producto, visite [ameriwoodhome.com](http://ameriwoodhome.com)**

**Calificación de 5 estrellas**

**Visite el sitio web de su distribuidor local, valore el producto adquirido y ¡déjenos su opinión!**

**Nos gustaría decir un gran "Gracias" a todos nuestros clientes por tomarse el tiempo de ensamblar este producto Ameriwood Home, y por darnos su valiosa opinión.**

**¡Gracias!**

Couverture avant

Lit mural : Lit de jour pleine grandeur

Date d'achat

Numéro de lot

## **AVERTISSEMENT :**

**\* AVERTISSEMENT POUR LES JEUNES ENFANTS:** Ce produit a de petites pièces, assurez-vous de les garder hors de la portée des jeunes enfants. Les enfants de moins de 6 ans, les jeunes nourrissons et les nourrissons ne devraient pas dormir dans ce lit pour des raisons de sécurité. Pour prévenir les blessures et les dommages à cette unité, **INTERDIRE** de sauter dessus.

\* Ce produit est destiné à un usage domestique et n'est pas destiné à un usage commercial.

**Nous vous recommandons de faire assembler votre produit par un professionnel.**

**CE MANUEL D'INSTRUCTIONS CONTIENT DES RENSEIGNEMENTS IMPORTANTS SUR LA SÉCURITÉ. VEUILLEZ LE LIRE ET LE CONSERVER POUR RÉFÉRENCE FUTURE.**

## **Ne retournez pas ce produit !**

Tout d'abord, veuillez contacter notre service client.

Composez le 1-800-489-3351 (sans frais)

Visitez : [www.ameriwoodhome.com](http://www.ameriwoodhome.com)

## **AVERTISSEMENT**

- L'unité peut basculer et causer des blessures graves ou la mort.

- Fixez l'unité à un poteau dans le mur

- Ne pas permettre aux enfants d'entrer dans l'unité

Compteur de difficulté d'assemblage

Suivez Ameriwood Home

## **Contactez-nous ! (page 2)**

### **Ne retournez pas ce produit !**

Tout d'abord, contactez notre équipe de support client conviviale pour obtenir de l'aide.

Appelez ! 1-800-489-3351

Visitez [ameriwoodhome.com](http://ameriwoodhome.com) pour voir la garantie limitée valide aux États-Unis et au Canada.

## Conseils utiles

PERSONNES NÉCESSAIRES À L'ASSEMBLÉE : 2

- Ouvrez l'article dans la zone où vous prévoyez de le placer pour éviter de le soulever en raison de son poids.
- Identifier, classer et compter les pièces avant de tenter de les assembler.
- Assurez-vous de toujours pointer la pointe en haut du verrou de la came vers le bord extérieur.
- N'UTILISEZ PAS de produits chimiques agressifs ou de nettoyeurs abrasifs.
- Ne jamais pousser, tirer ou traîner les meubles.

## Avant de commencer (page 3)

- Lisez attentivement chaque étape et suivez l'ordre correct.
- Séparez et comptez toutes vos pièces et outils. Les pièces ont des étiquettes sur la surface ou le bord.
- Laisser suffisamment de place pour le processus d'assemblage.
- Doit avoir les outils suivants : tournevis crucir n ° 2, marteau, niveau, détecteur de clous, crayon, échelle, maillet en caoutchouc, et une perceuse avec des trépan de 1/8 " et 1/4 « .
- **Attention** : Si vous utilisez une perceuse électrique ou un tournevis pour le screwdriving, gardez à l'esprit que vous devez ralentir et arrêter lorsque la vis est serrée. Réduisez le couple à un niveau inférieur afin que la perceuse éclate lorsque la vis est serrée. Sinon, la vis pourrait se casser.

## Système de serrage avec verrouillage à cames

Ce système de verrouillage à cames sera utilisé tout au long du processus d'assemblage.

## Identification de la plaque d'immatriculation (page 4)

Pas la taille réelle

Liste des pieces			
element	quantite	numero de piece	description
A	1	37769339010	Panneau de gauche
B	1	37769339020	Panneau de droite
C	1	37769339030	Haut de page
D	1	37769339040	en bas
E	1	37769339050	valance
F	1	37769339060	panneau superieur du dos
G	2	37769339070	panneau arriere central
H	1	37769339080	etagere superieure
I	1	37769339090	panneau de tete de lit
J	1	37769339100	stringer inferieur
K	1	37769339110	etagere inferieure
L	1	37769339120	rail de plateau
M	1	37769339130	rail d'arret
N	2	37769339140	rail superieur gauche
O	2	37769339150	rail superieur droit
P	1	37769339160	panneau de porte gauche
Q	1	37769339170	panneau de porte de droite
R	4	37769339180	moulage vertical

## Page 6

Veuillez noter que votre appareil peut contenir du matériel supplémentaire.

### Liste des pièces

#### Taille réelle

- |                            |                                  |
|----------------------------|----------------------------------|
| 1. Verrouillage de la came | 12. Vis #8 x 1/2" pan            |
| 2. Boulon à cames          | 13. Vis #8 x 1" pan              |
| 3. Goupille en bois        | 14. Vis #6 x 5/8" pan            |
| 4. Boulon de connecteur    | 15. Vis #6 x 1-1/2 pan           |
| 5. Connecteur              | 16. Selle métallique             |
| 6. Vis #10 x 1/2" pan      | 17. Vis #8 x 3-1/2" pan          |
| 7. Vis #14 x 1/2" pan      | 18. Étiquette d'avertissement    |
| 8. Vis #8 x 5/8" flat      | 19. Kit d'éclairage à double LED |
| 9. Vis #8 x 1-1/4" pan     | 20. Disque de capteur tactile    |
| 10. Guide                  | 21. Support de porte             |
| 11. Noix                   | 22. Support de porte             |
|                            | 23. Localisateur de poteaux      |

## Page 8 : Identification du cadre de lit

Ce n'est pas la taille réelle

Remarque : Toutes les pièces ne seront pas identifiées.

21a - Assemblée de gauche

21b - Assemblée de droite

21c - Patte

21d - Support de matelas

21e - Bras pivotant gauche

21f - Bras pivotant droit

21g - Latte en bois

21 h - Piston à gaz

21i - Support en U

21j - Capuchon en plastique

21k - Goupille pivotante

21l - Grande goupille de fourche

21m - Petite goupille de fourche

21n - Épingle

21e - Boulon - M6 x 16mm

21p - Boulon - M6 x 10mm

21q - Laveuse

21r - Noix hexagone

21s - Clé hexagonale

21t - Clé

21u - Pied en caoutchouc

## Page 10 : Étape 1

Orientation correcte du verrou de came

TOURNER

## Page 11 : Étape 2

Orientation correcte du verrou de came

## Page 12 : Étape 3

Orientation correcte du verrou de came

Orientation correcte du connecteur

## Page 13 : Étape 4

Orientation correcte du verrou de came

## Page 15 : Étape 6

Orientation correcte du connecteur

## Page 18 : Étape 9

Orientation correcte du verrou de came

Orientation correcte du connecteur

## Page 20 : Étape 11

Le bras de pivot gauche (20e) est situé dans la boîte de mécanisme de lit mural 3678096COM

**Page 22 : Étape 13**

Le bras pivotant droit (20f) est situé dans la boîte de mécanisme de lit mural 3678096COM

**Page 23 : Étape 14**

Faites pivoter dans le sens des aiguilles d'une montre pour verrouiller  
L'orientation de l'assemblée est essentielle !

Surface non finie

Bord inachevé

**Page 24 : Étape 15**

Faites pivoter dans le sens des aiguilles d'une montre pour verrouiller

Surface non finie

Bord inachevé

**Page 25 : Étape 16**

Faites pivoter dans le sens des aiguilles d'une montre pour verrouiller

Remarque : Le rail du plateau (L) est symétrique

**Page 26 : Étape 17**

Faites pivoter dans le sens des aiguilles d'une montre pour verrouiller

L'orientation de l'assemblée est essentielle !

Surface non finie

Bord inachevé

**Page 28 : Étape 19**

La cheville est plus proche du bord ici

**Page 29 : Étape 20**

Appuyez sur les broches en place. Doucement, utilisez un maillet en caoutchouc si nécessaire

**Page 30 : Étape 21**

La cheville est plus proche du bord ici

**Page 32 : Étape 23**

Bord fini

**Page 33 : Étape 24**

Commencez à une extrémité et travaillez votre chemin vers l'autre pour aligner les pièces avant de verrouiller les cames.

## Page 34 : Étape 25

Avec l'aide d'une autre personne, placez doucement l'unité sur son devant afin que les guides soient face au mur.

Appuyez doucement sur l'insert fileté (11) avec un marteau.

Vissez les guides réglables (10) tout le chemin dans.

## Page 35 : Étape 26

Les prochaines étapes consistent à assembler votre matériel électrique.

Informations sur la longueur du câble :

1. Le cordon d'alimentation est de 72" du transformateur à la pointe de la fiche
2. Le fil de boucle pour le disque de capteur, du transformateur est 48" au centre de la boucle
3. Le fil lumineux qui se termine par un clip (qui finira par se connecter au module d'éclairage), ce fil, du transformateur est de 100" au clip
4. Le module d'éclairage, son fil sort du disque lumineux et s'étend de 5" au centre de son clip

Le kit d'éclairage à double LED comprend :

- 19a. Transformateur
- 19b. Cordon d'alimentation
- 19c. Câble de capteur de boucle
- 19d. Lampes à DEL doubles Pence avec prises d'éclairage

Disque de capteur tactile (emballé séparément)

Le disque de capteur tactile a 3 options de luminosité.

- Touch 1 - veilleuse
- Touch 2 - lumière d'économie d'énergie
- Touch 3 - lumière de lecture brillante
- Appuyez 4 - éteignez

disque du capteur tactile

Remarque : Le matériel de montage n'est pas inclus dans ces packages. Mais ils sont fournis dans un sac de quincaillerie.



## Page 36 : Étape 27

Assemblage de l'ensemble de lumière LED

Ouvrez l'ensemble du kit d'éclairage LED. Tout sera assemblé.

Tout d'abord, désengagez la lumière LED de la prise de lumière comme indiqué...

unfasten

Prise d'éclairage

Lumière LED

Deuxièmement, vous devez démonter la lumière LED. Dévissez le couvercle de la base, puis retirez la pièce de l'objectif. Mettez ces pièces de côté en toute sécurité.

couvercle

lentille

base

Module d'éclairage

## Page 37 : Étape 28

Placer le transformateur (19a) sur le panneau de tête de lit (I) dans le

l'emplacement indiqué. Enfiler la fiche d'alimentation (19b)

devant le bottom stringer (J) si nécessaire pour la source d'alimentation.

## Page 38 : Étape 29

Placez l'unité à la verticale avec l'aide d'une autre personne. Au cours de ces étapes, permettez à l'autre personne de tenir l'unité en toute sécurité afin qu'elle ne bascule pas.

Placez le disque du capteur tactile (20) à l'emplacement indiqué sur l'étagère inférieure (K).

## Page 39 : Étape 30

Avec l'aide d'une autre personne qui tient l'unité à la verticale, prenez le capteur de boucle (19c) qui est connecté au transformateur (19a) et placez-le sous l'étagère inférieure (K) à l'emplacement du trou du disque du capteur tactile (20). Enfillez la vis (12) à travers le capteur de boucle et vissez-la dans le disque du capteur tactile (20).

Une fois que la vis (12) est complètement serrée, enfillez les fils du bouchon d'éclairage (19d) le long de la face arrière de l'unité. Enfiler les fils à travers le support de fil (16) sur le bord supérieur du panneau supérieur arrière (F). Fixez les fils afin qu'ils ne tombent pas derrière l'unité lors du montage sur le mur.

## Page 40 : Étape 31

Avec l'aide d'une autre personne tenant l'unité à la verticale, montez les lumières LED démontées (19t) sur la face inférieure du dessus (C) avec la vis (14). Enfillez les fils des lumières LED (19d) à travers les trous prévus sur le dessus (C) pour permettre aux fils de s'asseoir sur le dessus (C).

Trou de fil

## Page 41 : Étape 32

Avec l'aide d'une autre personne tenant l'unité à la verticale, enfiler les fils lumineux LED à travers le support de câble (16) en haut (C) et sur le panneau arrière supérieur (F). Tirez les fils derrière l'arrière du lit mural. Fixez les bouchons d'éclairage (19d) (qui sont fixés au transformateur) aux fils d'éclairage LED.

Clip back together

Prise d'éclairage

Lumière LED

## Page 42 : Étape 33

Avec l'aide d'une autre personne tenant l'unité à la verticale, réassemblez les lumières LED. Placez d'abord l'objectif sur la base, puis vissez le couvercle à la base comme indiqué ci-dessous.

base

lentille

couverture

Ajustez les câbles nécessaires au besoin.

Assurez-vous que le bouchon d'alimentation est vissé à l'endroit où se trouve la prise entretenue.

Placez contre le mur.

Branchez-le dans la prise et assurez-vous que la lumière LED et le disque du capteur tactile fonctionnent correctement.

## Page 43 :

Les prochaines étapes consistent à assembler l'unité au mur.

L'unité assemblée DOIT être carrée en hauteur, largeur et profondeur pour fonctionner correctement.

L'unité assemblée DOIT être placée à plat contre le mur.

L'unité assemblée DOIT être vissée aux goujons muraux en haut et en bas pour plus de sécurité.

Vous devez localiser au moins 3 goujons, mais 4 est mieux.

N'UTILISEZ PAS d'ancrages muraux pour fixer l'unité au mur.

Utilisez le localisateur de goujons fourni avec votre unité aux emplacements fournis.

Pour les briques, le béton ou d'autres matériaux muraux :

Vérifiez auprès de votre quincaillerie locale pour les ancrages appropriés pour fixer l'unité au mur.

## Page 44 : Étape 34

Avec l'aide d'une autre personne, placez l'unité FLUSH contre le mur.

Assurez-vous que les fils de prise d'éclairage (19D) sont fixés dans le support de cordon (16) situé sur le panneau arrière supérieur (F).

support de cordon

Il y a des encoches fournies à l'arrière de votre unité. Ces encoches doivent s'adapter autour de la plinthe sur votre mur. Si votre plinthe est plus haute ou plus épaisse que les encoches fournies sur l'unité, vous devrez enlever la plinthe, la couper pour l'adapter aux deux côtés de votre unité, puis refasten au mur.

## Page 45 : Étape 35

L'unité assemblée DOIT être affleurante sur la hauteur, la largeur et la profondeur pour fonctionner correctement

Une échelle sera nécessaire. Ne vous appuyez pas contre le haut de l'unité, cela peut provoquer un affaissement

Si nécessaire, dévissez les glides dans le sens antihoraire si nécessaire dans les 4 coins jusqu'à ce que votre unité soit de niveau dans toutes les directions

## Page 46 : Étape 36

Localisez les goujons sur le mur à l'aide du localisateur de goujons (23) fourni. À l'aide d'un crayon, marquez l'emplacement des goujons sur la surface supérieure du panneau supérieur arrière (F), juste au-dessus du haut (C). À l'aide d'un niveau, amenez les emplacements des plots jusqu'au lisse inférieur (J), et à l'aide d'un crayon, marquez les emplacements des goujons.

Vous devez localiser au moins 3 goujons, mais 4 est mieux.

Vous aurez besoin d'une échelle. Ne vous appuyez pas sur le dessus de l'unité, cela peut provoquer un flambage.

## Page 47 : Étape 37

Tout d'abord, assurez-vous que l'unité est toujours de niveau dans toutes les directions.

Percez des trous pilotes de 1/8" (3 mm) à travers le panneau arrière supérieur (F) et la barre transversale inférieure (J) dans les marques de localisateur de goujons. Fixez l'unité aux goujons sur le mur avec les vis (17).

Vous aurez besoin d'une échelle. Ne vous appuyez pas sur le dessus de l'unité, cela peut provoquer un flambage.

## Page 48 :

Les prochaines étapes consistent à assembler le cadre et le mécanisme de lit en métal.

Ces pièces sont dans la boîte de mécanisme de lit mural #3678096COM.

## Page 49 : Étape 38

Poussez dans chaque trou

Vous aurez peut-être besoin d'un maillet en caoutchouc

## Page 52 : Étape 41

Long End

Fin courte

L'extrémité "longue" de chaque piston doit être fixée au cadre.

Les extrémités des deux pistons doivent être insérées dans la rainure du cadre de lit lors de l'assemblage.

## Page 53 : Étape 42

Il n'est pas démontré que l'armoire permet une vue claire de l'ensemble du cadre de lit

Avec une personne de chaque côté, soulevez le mécanisme du lit, alignez les trous de l'assemblage du lit avec le grand trou de bague du bras de pivot gauche et droit (20e et 20f) déjà installé sur votre unité et insérez les broches de pivot (20k) comme indiqué. Fixez les broches de pivot avec un boulon de 10 mm (20p).

Déjà fixé à l'unité

Ne fixez pas les pistons aux bras de pivot gauche et droit à ce stade, cela sera fait à l'étape 43

## Page 54 : Étape 43

Avec une personne de chaque côté, soulevez soigneusement le cadre du lit à la position fermée. Lorsqu'une personne pousse le cadre du lit dans l'armoire, passe les 90 degrés, l'autre personne doit engager le piston à gaz "vers l'avant" (20h) de chaque côté de l'unité, à la goupille avant du bras pivotant gauche et droit (20e et 20f). Ensuite, fixez-le hermétiquement avec deux écrous (20r). Pour engager le piston à gaz "arrière" (20h) de chaque côté de l'unité, agitez lentement et soigneusement le cadre de lit d'avant en arrière jusqu'à ce que vous puissiez insérer les pistons à gaz (20h) sur la goupille arrière du bras de pivot gauche et droit (20e et 20f). Ensuite, fixez-le hermétiquement avec deux écrous (20r).

## Page 55 : Étape 43 suite...

Réussi 90 degrés

L'image montre le cadre de lit poussé dans l'armoire, au-delà de 90 degrés.

Remarque : Il est normal de voir le cadre de lit dans cet état avant d'installer les pistons à gaz.

## Page 56 : Étape 44

Il n'est pas démontré que l'armoire permet une vue claire de l'ensemble du cadre de lit  
Tirez le cadre du lit vers le bas, puis fixez la jambe (20c) comme indiqué.

Appliquez l'étiquette d'avertissement ici.

Le cadre de lit est équipé d'un mécanisme pour verrouiller la jambe (20c) en place. Pour verrouiller ou déverrouiller la jambe, tirez sur le mécanisme de verrouillage.

## Page 57 : Étape 45

Orientation correcte du support

## Page 58 : Étape 46

Orientation correcte du support

## Page 59 : Étape 47

Avec l'aide d'une autre personne, soulevez le panneau de porte gauche assemblé (P), placez les supports (21) sur les trois rails de support du cadre de lit et placez-les en position.

Répétez la procédure pour l'assemblage du panneau de porte droite (Q).

### IMPORTANT :

Tout d'abord, déverrouillez et retournez la jambe sur l'armoire.

Ensuite, abaissez un peu le cadre de lit pour laisser de la place pour suspendre les ensembles de panneaux de porte (P & Q).

L'armoire n'est pas montrée pour permettre une vue claire du cadre de lit dans son ensemble  
Les trous dans les assemblages de portes (P&Qs) seront plus proches les uns des autres au centre

## Page 60 : Étape 48

Avec l'aide d'une autre personne, ouvrez soigneusement le cadre du lit

Alignez l'ensemble de sorte que les bords sont au ras du cadre de lit et poussent contre la jambe. Cela définira l'espace supérieur. Ensuite, fixez les panneaux au cadre de lit avec les supports (22). Voir la page suivante pour les emplacements des crochets.

Le cabinet n'est pas montré pour permettre une vue claire du cadre de lit dans son ensemble

## Page 61 : Étape 48 suite...

Ce point de vue regarde vers le bas d'en haut... montrant l'emplacement des crochets (22).

## Page 62 : Étape 49

Un escabeau sera nécessaire. Ne vous appuyez pas contre le haut de l'unité car cela peut provoquer un affaissement

Fixez le rail d'arrêt (M) au bas du haut (C) avec des vis (9)

Appuyez sur un capuchon en plastique (20j) à chaque extrémité d'une latte en bois (20g).

Appuyez sur les deux bouchons en plastique (20j), fixés à la latte en bois, dans les trous dans le cadre du lit en métal.

Répétez la procédure pour les 28 lattes de bois et les 56 bouchons en plastique.

Glissez les lattes de bois sous les sangles à chaque coin

## Page 63 : Étape 50

Avec l'aide d'une autre personne, fermez doucement le cadre de lit puis assemblez les rails supérieurs (N & O).

## Page 64 : Charges maximales

Cet appareil a été conçu pour supporter les charges maximales indiquées. Le dépassement de ces limites de charge pourrait entraîner un affaissement, une instabilité, l'effondrement du produit et/ou des blessures graves.

Ce lit est conçu pour accueillir un matelas pleine grandeur, jusqu'à 10" pouces d'épaisseur.

**\* d'un poids maximal de 60 lb (27,2 kg)**

**\* avec un poids minimum de 30 lb (13,6 kg)**

## Mise en garde: Deux personnes peuvent être tenues de le faire ouvrir et fermer le lit

Une fois que vous avez placé votre drap-housse sur votre matelas, fixez votre matelas avec les sangles fournies dans les 4 coins du cadre de lit.

Gardez le lit fermé lorsqu'il n'est pas utilisé.

Il est recommandé de ne pas laisser d'oreillers et/ou d'oreillers ornementaux en place lorsque le lit est fermé pour préserver le mécanisme.

### Certificat de conformité

1. Ce certificat s'applique au produit Dorel Home Furnishings, Inc. identifié dans ce manuel d'instructions.
2. Ce certificat s'applique à la conformité de ce produit à l'interdiction de la CPSC sur les peintures contenant du plomb (16 CFR 1303).
3. Ce produit est distribué par : Dorel Home Furnishings, Inc.  
410 East First Street South  
Wright City, MO 63390  
636-745-3351
4. Lieu de fabrication : Cornwall (Ont.)
5. Voir la première page du manuel d'instructions pour la date de fabrication.

**Page 65 : Enregistrez votre produit pour recevoir ce qui suit :**

- \* Détails des nouvelles tendances : un aperçu de ce qui est nouveau.**
- \* Sondages : Faites entendre votre voix dans notre communauté.**
- \* Offres exclusives et codes de réduction.**
- \* Service de pièces de rechange rapide et facile.**

**Pour enregistrer votre produit, visitez [ameriwoodhome.com](http://ameriwoodhome.com)**

**Note de 5 étoiles**

**Visitez le site Web de votre distributeur local, évaluez le produit acheté et laissez-nous vos commentaires !**

**Nous aimerions dire un grand « merci » à tous nos clients d'avoir pris le temps d'assembler ce produit Ameriwood Home et de nous avoir donné leurs précieux commentaires.**

**Merci!**